

22MM METAL ROUND ACTUATOR: SELECTOR SWITCH
LATCHING 2 SWITCH POSITIONS O-I NON-ILLUMINATED WITH
HOLDER RED

Design of the product	Single device round
-----------------------	---------------------

Enclosure

Number of command points	1
--------------------------	---

Actuator

Design of the operating mechanism	selector switch
Manner of function of the actuating element	Latching
Product extension optional Light source	No
Color	
• of the actuating element	Red
Material of the actuating element	plastic
Outer diameter of the actuating element	28.5 mm
Type of unlocking device	rotate-to-unlatch mechanism
Number of switching positions	2
Actuating angle	
• clockwise	90°

Front ring

Product component front ring	Yes
Design of the front ring	Standard
Material of the front ring	metal
Color of the front ring	silver

Holder

Material of the holder	Metal
------------------------	-------

General technical data

Product function	
• EMERGENCY OFF function	No
• EMERGENCY STOP function	No
Protection class IP	IP67
Vibration resistance	
• acc. to IEC 60068-2-6	20 ... 200 Hz: 5g
Operating frequency maximum	1 000 1/h
Mechanical service life (switching cycles)	
• typical	300 000
Equipment marking	

- acc. to DIN 40719 extended according to IEC 204-2 acc. to IEC 750
- acc. to DIN EN 61346-2
- acc. to DIN EN 81346-2

S
S
S

Connections/Terminals

Tightening torque of the screws in the bracket 1.4 ... 1.6 N·m

Ambient conditions

Ambient temperature

- during operation -25 ... +70 °C
- during storage -40 ... +80 °C

Environmental category during operation acc. to IEC 60721 3K6

Installation/ mounting/ dimensions

Mounting type front mounting
Shape of the installation opening round
Mounting diameter 22 mm
Mounting height 24 mm
Installation width 28.5 mm
Installation depth 29 mm

Certificates/approvals

General Product Approval

Declaration of Conformity

Test Certificates

Shipping Approval



[spezielle Prüfbescheinigungen](#)
n



Shipping Approval

other



[sonstig](#)

[Umweltbestätigung](#)

other

[Bestätigungen](#)

Further information

Information- and Downloadcenter (Catalogs, Brochures,...)

<http://www.siemens.com/industrial-controls/catalogs>

Industry Mall (Online ordering system)

<https://mall.industry.siemens.com/mall/en/en/Catalog/product?mlfb=3SB3500-2HA21>

Cax online generator

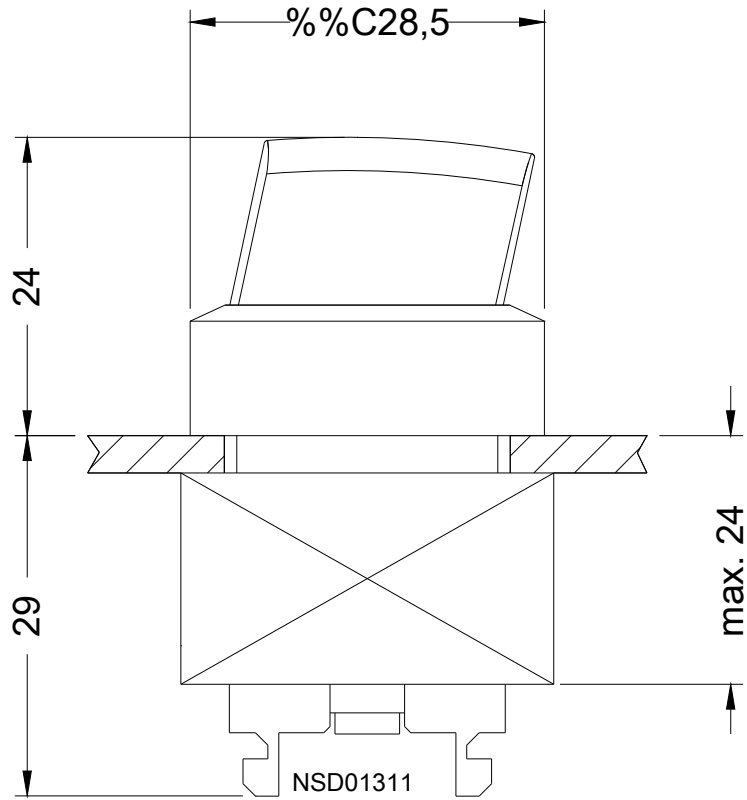
<http://support.automation.siemens.com/WW/CAXorder/default.aspx?lang=en&mlfb=3SB3500-2HA21>

Service&Support (Manuals, Certificates, Characteristics, FAQs,...)

<https://support.industry.siemens.com/cs/ww/en/ps/3SB3500-2HA21>

Image database (product images, 2D dimension drawings, 3D models, device circuit diagrams, EPLAN macros, ...)

http://www.automation.siemens.com/bilddb/cax_de.aspx?mlfb=3SB3500-2HA21&lang=en



last modified:

12/21/2016