



Climax Metal Products Company

8141 Tyler Boulevard
Mentor, Ohio 44060
USA

Toll free: 800-542-6552

Phone: 440-585-0300

Fax: 800-860-5553

Email: sales@climaxmetal.com

Website: www.climaxmetal.com

ITEM # 2C-200-S, TWO-PIECE, CLAMPING COLLAR- 2C-SERIES

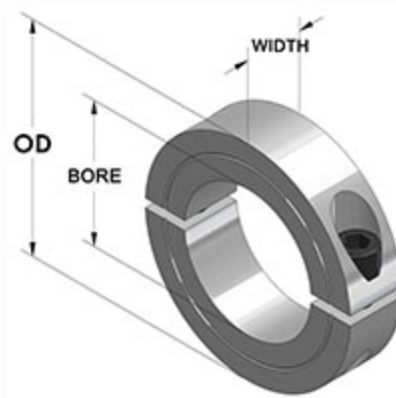
Stainless Steel Two-Piece Clamping Collar. Design fully engages the shaft without marring. Easily installed where major disassembly would otherwise be required. Greater axial holding power than set screw or one-piece clamping collars. Effective on hard & soft shafts.



[Drawing](#) | [Specifications](#) | [Regulation & Compliance](#)

Drawing

Dimensional Drawing



Two-Piece Clamping Collar

Chat with us!

Specifications

Bore	2 in
OD	3 in
Width	11/16 in
Style	Two-Piece Clamp
Material	Stainless Steel, ASTM A582
Finish	Plain
Clamp Screw	Hex Socket Cap Screw, 3A Thread, Stainless Steel, ASTM F837: 5/16-24 x 1
Recessed Screw	No
Approximate Weight	11.00 oz
UPC Code	044861225141
Downloads	Catalog Page

Regulation & Compliance

[REACH Compliance Statement](#)

[RoHS 3 Compliance Statement](#)

[Disclosure of Conflict Minerals and Materials](#)

[California Proposition 65 Warning](#)

[Toxic Substances Control Act TSCA](#)

[DFARS Compliance Statement](#)

[Safety Data Sheet](#)

[ISO Certificate](#)

