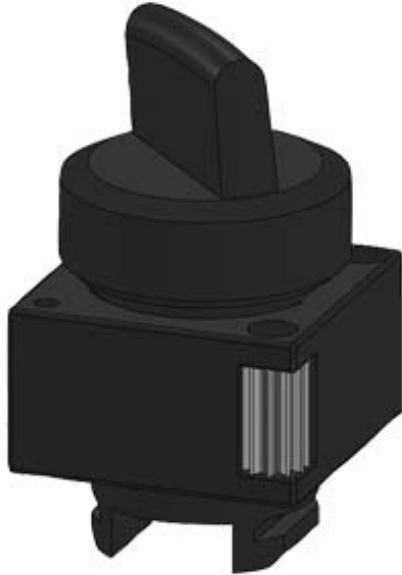


22MM PLASTIC ROUND ACTUATOR: SELECTOR SWITCH 3  
SWITCH POSITIONS I-O-II RIGHT  
LATCH.,LE.MOMEN.CONT.TYPE NON-ILLUMINATED WITH  
HOLDER BLACK



<b>Design of the product</b>	Single device round
<b>Enclosure:</b>	
Number of command points	1
<b>Actuator:</b>	
Design of the operating mechanism	selector switch
Manner of function of the actuating element	Momentary contact (left), latching (right)
Product extension optional Light source	No
<b>Color</b>	
• of the actuating element	black
Material of the actuating element	plastic
Outer diameter of the actuating element	28.5 mm
Type of unlocking device	rotate-to-unlatch mechanism
Number of switching positions	3
<b>Actuating angle</b>	
• clockwise	50°
• anticlockwise	50°
<b>Front ring:</b>	
Product component front ring	Yes

<b>Design of the front ring</b>	Standard
<b>Material of the front ring</b>	plastic
<b>Color of the front ring</b>	black

#### Holder:

<b>Material of the holder</b>	Plastic
-------------------------------	---------

#### General technical data:

<b>Product function</b>	
<ul style="list-style-type: none"> <li>• EMERGENCY OFF function</li> <li>• EMERGENCY STOP function</li> </ul>	No No
<b>Protection class IP</b>	IP66
<b>Vibration resistance</b>	
<ul style="list-style-type: none"> <li>• acc. to IEC 60068-2-6</li> </ul>	20 ... 200 Hz: 5g
<b>Operating frequency maximum</b>	1 000 1/h
<b>Mechanical service life (switching cycles)</b>	
<ul style="list-style-type: none"> <li>• typical</li> </ul>	300 000
<b>Equipment marking</b>	
<ul style="list-style-type: none"> <li>• acc. to DIN 40719 extended according to IEC 204-2 acc. to IEC 750</li> <li>• acc. to DIN EN 61346-2</li> <li>• acc. to DIN EN 81346-2</li> </ul>	S S S

#### Connections/ Terminals:

<b>Tightening torque of the screws in the bracket</b>	1 N·m
---	-------

#### Ambient conditions:

<b>Ambient temperature</b>	
<ul style="list-style-type: none"> <li>• during operation</li> <li>• during storage</li> </ul>	-25 ... +70 °C -40 ... +80 °C
<b>Environmental category during operation acc. to IEC 60721</b>	3K6

#### Installation/ mounting/ dimensions:

<b>Mounting type</b>	front mounting
<b>Shape of the installation opening</b>	round
<b>Mounting diameter</b>	22 mm

#### Certificates/approvals

General Product Approval			Declaration of Conformity	Test Certificates	Shipping Approval
 CSA	 UL		 EG-Konf.	<a href="#">spezielle Prüfbescheinigungen</a> <u>n</u>	 ABS

Shipping Approval				other	
 DNV	 LRS	 PRS	 RINA	<a href="#">Umweltbestätigung</a>	<a href="#">Bestätigungen</a>

other
<a href="#">sonstig</a>

#### Further information

**Information- and Downloadcenter (Catalogs, Brochures,...)**

<http://www.siemens.com/industrial-controls/catalogs>

**Industry Mall (Online ordering system)**

<https://mall.industry.siemens.com/mall/en/en/Catalog/product?mlfb=3SB30002GA11>

**Cax online generator**

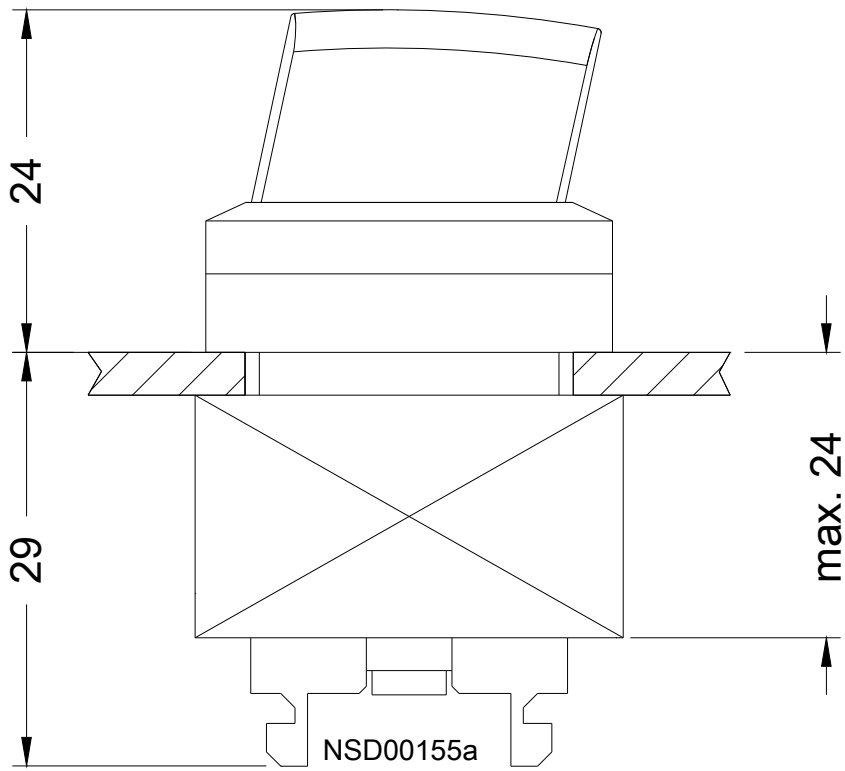
<http://support.automation.siemens.com/WW/CAXorder/default.aspx?lang=en&mlfb=3SB30002GA11>

**Service&Support (Manuals, Certificates, Characteristics, FAQs,...)**

<https://support.industry.siemens.com/cs/ww/en/ps/3SB30002GA11>

**Image database (product images, 2D dimension drawings, 3D models, device circuit diagrams, EPLAN macros, ...)**

[http://www.automation.siemens.com/bilddb/cax\\_de.aspx?mlfb=3SB30002GA11&lang=en](http://www.automation.siemens.com/bilddb/cax_de.aspx?mlfb=3SB30002GA11&lang=en)



last modified:

10.03.2016