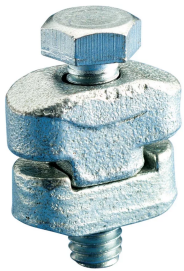




STRUT TO STRUT CONNECTOR

CATALOG NUMBER

STS



FEATURES

Consists of two half castings, nut and bolt

Allows for bolting two strut channels back to back through the slots

PRODUCT ATTRIBUTES

Material: Steel

Finish: Electrogalvanized

A: 1 1/4"

B: 1"

C: 1/2"

Torque: 5 ft lb

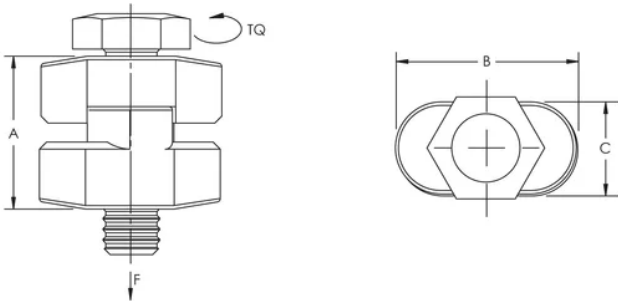
Static Load: 1,000 lb

ADDITIONAL PRODUCT DETAILS

Minimum of 2 required. Maximum spacing 1 foot (300mm).

Minimum half-slot dimensions 9/16" x 7/8" (14.3 mm x 22.2 mm).

DIAGRAMS



WARNING

nVent products shall be installed and used only as indicated in nVent's product instruction sheets and training materials. Instruction sheets are available at www.nvent.com and from your nVent customer service representative. Improper installation, misuse, misapplication or other failure to completely follow nVent's instructions and warnings may cause product malfunction, property damage, serious bodily injury and death and/or void your warranty.

North America

+1.800.753.9221

Option 1 – Customer Care

Option 2 – Technical Support

Europe

Netherlands:

+31 800-0200135

France:

+33 800 901 793

Europe

Germany:

800 1890272

Other Countries:

+31 13 5835404

APAC

Shanghai:

+ 86 21 2412 1618/19

Sydney:

+61 2 9751 8500



Our powerful portfolio of brands:
nVent.com **CADDY ERICO HOFFMAN RAYCHEM SCHROFF**
TRACER