



bus connector offset front 3 units accessory for: 3VA1 250

Model	
product brand name	SENTRON
product designation	accessories
Accessories	Bus connector offset

### Further information

#### Information- and Downloadcenter (Catalogs, Brochures,...)

<http://www.siemens.com/lowvoltage/catalogs>

#### Industry Mall (Online ordering system)

<https://mall.industry.siemens.com/mall/en/en/Catalog/product?mlfb=3VA9253-0QC00>

#### Service&Support (Manuals, Certificates, Characteristics, FAQs,...)

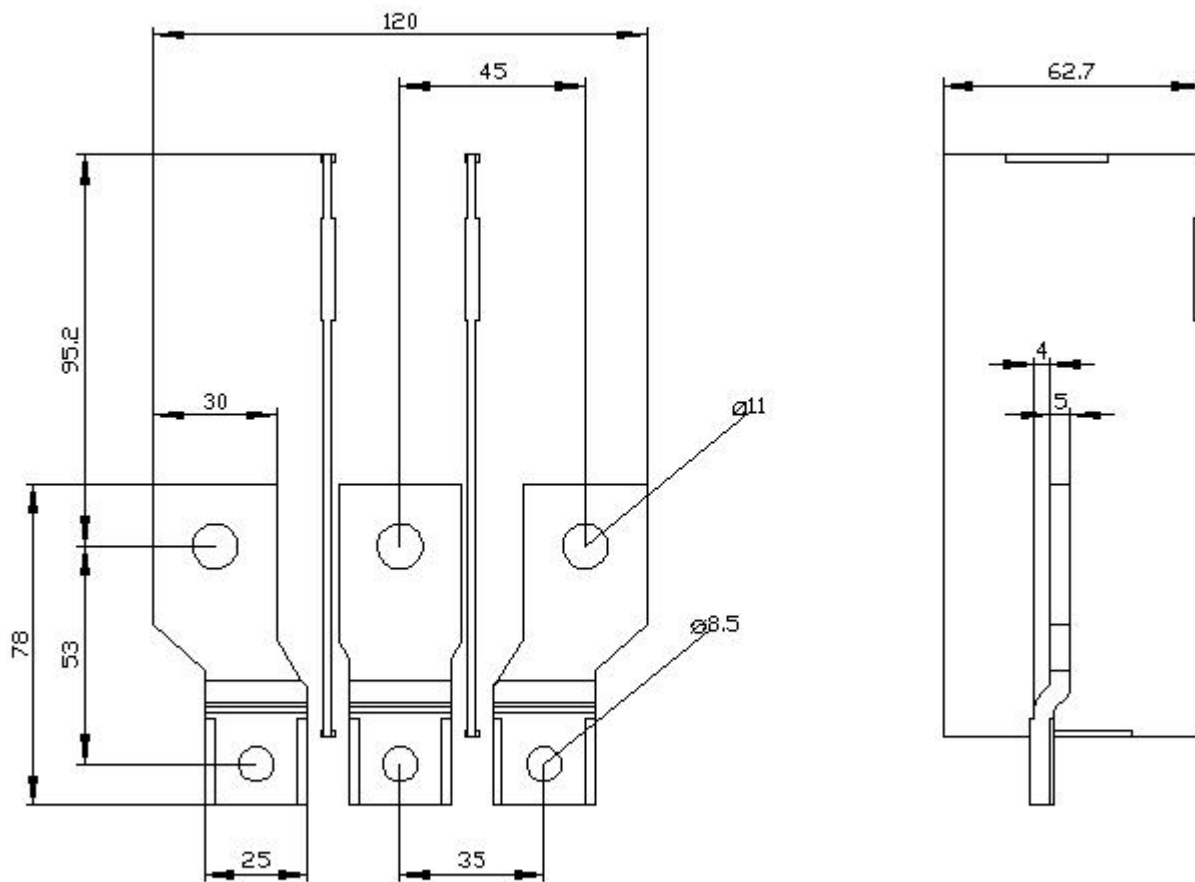
<https://support.industry.siemens.com/cs/ww/en/ps/3VA9253-0QC00>

#### Image database (product images, 2D dimension drawings, 3D models, device circuit diagrams, ...)

[http://www.automation.siemens.com/bilddb/cax\\_en.aspx?mlfb=3VA9253-0QC00](http://www.automation.siemens.com/bilddb/cax_en.aspx?mlfb=3VA9253-0QC00)

#### Tender specifications

<http://www.siemens.com/specifications>



last modified:

12/20/2020 