



bus connector extended front mounted, 4 units accessory for: 3VA12

Model	
product brand name	SETRON
product designation	bus connector extended
accessories	Bus connector extended

Certificates		
General Product Approval	EMV	Test Certificates



EG-Konf.

[Miscellaneous](#)



RCM

[Type Test Certificates/Test Report](#)

Marine / Shipping	other	Environment			
-------------------	-------	-------------	--	--	--



LRS

[Miscellaneous](#)

[Confirmation](#)

[Miscellaneous](#)

[Environmental Confirmations](#)

[Environmental Confirmations](#)

Further information

Information on the packaging

<https://support.industry.siemens.com/cs/ww/en/view/109813875>

Information- and Downloadcenter (Catalogs, Brochures,...)

<http://www.siemens.com/lowvoltage/catalogs>

Industry Mall (Online ordering system)

<https://mall.industry.siemens.com/mall/en/en/Catalog/product?mlfb=3VA9254-0QB00>

Service&Support (Manuals, Certificates, Characteristics, FAQs,...)

<https://support.industry.siemens.com/cs/ww/en/ps/3VA9254-0QB00>

Image database (product images, 2D dimension drawings, 3D models, device circuit diagrams, ...)

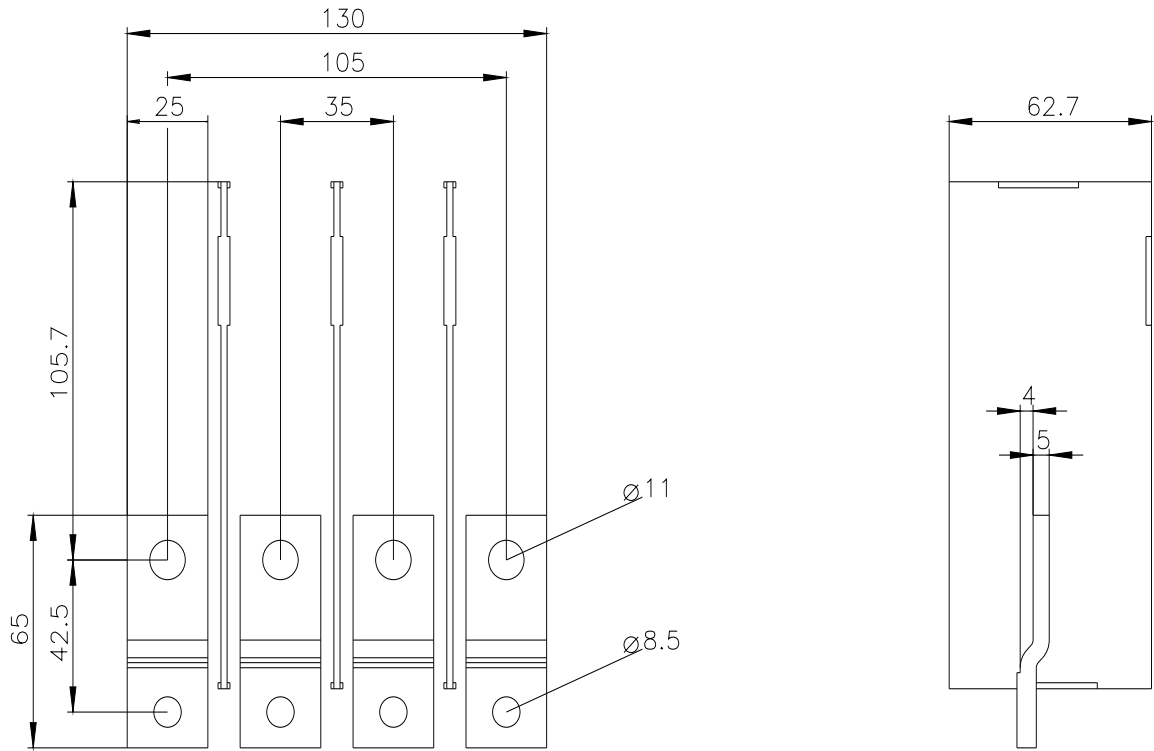
http://www.automation.siemens.com/bilddb/cax_en.aspx?mlfb=3VA9254-0QB00

CAX-Online-Generator

<http://www.siemens.com/cax>

Tender specifications

<http://www.siemens.com/specifications>



last modified:

11/16/2024 

