

22MM ROUND METAL ACTUATOR: RONIS LOCK WITH 2 KEYS
 MAINTAINED CONTACT 2 SWITCH POSITIONS O-I LOCK
 NUMBER SB 30, REMOVE I WITH HOLDER POSSIBLE SPECIAL
 LOCKS FOR RONIS KEYSWITCHES: SB31, 455, 421



Figure similar

Design of the product	Single device round
Enclosure	
Number of command points	1
Actuator	
Design of the operating mechanism	Key-operated switch
Manner of function of the actuating element	Latching
Product extension optional Light source	No
Color	
• of the actuating element	Silver
Material of the actuating element	metal
Outer diameter of the actuating element	28.5 mm
Type of unlocking device	key unlatching
Number of switching positions	2
Switch position for key distraction	I
Actuating angle	
• clockwise	50°
Lock make	RONIS

Front ring	
Product component front ring	Yes
Design of the front ring	Standard
Material of the front ring	metal
Color of the front ring	silver

Holder	
Material of the holder	Metal

General technical data	
Product function	
<ul style="list-style-type: none"> EMERGENCY OFF function EMERGENCY STOP function 	No No
Protection class IP	IP67
Vibration resistance	
<ul style="list-style-type: none"> acc. to IEC 60068-2-6 	20 ... 200 Hz: 5g
Operating frequency maximum	1 000 1/h
Mechanical service life (switching cycles)	
<ul style="list-style-type: none"> typical 	300 000
Equipment marking	
<ul style="list-style-type: none"> acc. to DIN 40719 extended according to IEC 204-2 acc. to IEC 750 acc. to DIN EN 61346-2 acc. to DIN EN 81346-2 	S S S

Connections/Terminals	
Tightening torque of the screws in the bracket	1.4 ... 1.6 N·m

Ambient conditions	
Ambient temperature	
<ul style="list-style-type: none"> during operation during storage 	-25 ... +70 °C -40 ... +80 °C
Environmental category during operation acc. to IEC 60721	3K6

Installation/ mounting/ dimensions	
Mounting type	front mounting
Shape of the installation opening	round
Mounting diameter	22 mm
Mounting height	44 mm
Installation width	28.5 mm
Installation depth	29 mm

Certificates/approvals	
------------------------	--

General Product Approval			Declaration of Conformity	Test Certificates	Shipping Approval
 CSA	 UL		 EG-Konf.	spezielle Prüfbescheinigungen n	 ABS

Shipping Approval				other	
 DNV	 LRS	 PRS	 RINA	Bestätigungen	Umweltbestätigung

other
sonstig

Further information

Information- and Downloadcenter (Catalogs, Brochures,...)

<http://www.siemens.com/industrial-controls/catalogs>

Industry Mall (Online ordering system)

<https://mall.industry.siemens.com/mall/en/en/Catalog/product?mlfb=3SB3500-4AD21>

Cax online generator

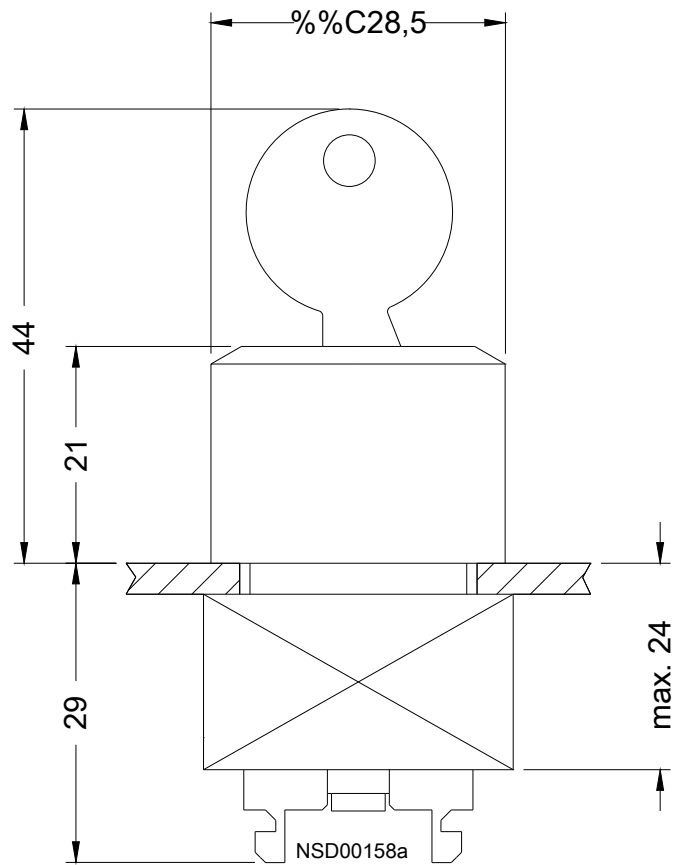
<http://support.automation.siemens.com/WW/CAXorder/default.aspx?lang=en&mlfb=3SB3500-4AD21>

Service&Support (Manuals, Certificates, Characteristics, FAQs,...)

<https://support.industry.siemens.com/cs/ww/en/ps/3SB3500-4AD21>

Image database (product images, 2D dimension drawings, 3D models, device circuit diagrams, EPLAN macros, ...)

http://www.automation.siemens.com/bilddb/cax_de.aspx?mlfb=3SB3500-4AD21&lang=en



last modified:

12/21/2016