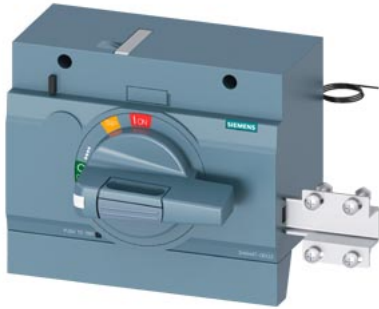


front mounted rotary operator standard with door interlock IEC IP30/40 24 V DC lighting kit accessory for: 3VA53/54; 3VA63/64



Model	
product brand name	SETRON
product designation	front rotary operating mechanism
accessories	Front rotary operator
General technical data	
degree of protection NEMA rating	1
protection class IP	IP30
Mechanical Design	
height	94 mm
width	138 mm
depth	108 mm
Certificates	
General Product Approval	EMV



EG-Konf.




UL

[Miscellaneous](#)



RCM

Marine / Shipping	other	Environment			
 LRS	Miscellaneous	Confirmation	Miscellaneous	Environmental Con- firmations	Environmental Con- firmations

Further information

Information on the packaging

<https://support.industry.siemens.com/cs/ww/en/view/109813875>

Information- and Downloadcenter (Catalogs, Brochures,...)

<http://www.siemens.com/lowvoltage/catalogs>

Industry Mall (Online ordering system)

<https://mall.industry.siemens.com/mall/en/en/Catalog/product?mlfb=3VA9447-0EK23>

Service&Support (Manuals, Certificates, Characteristics, FAQs,...)

<https://support.industry.siemens.com/cs/ww/en/ps/3VA9447-0EK23>

Image database (product images, 2D dimension drawings, 3D models, device circuit diagrams, ...)

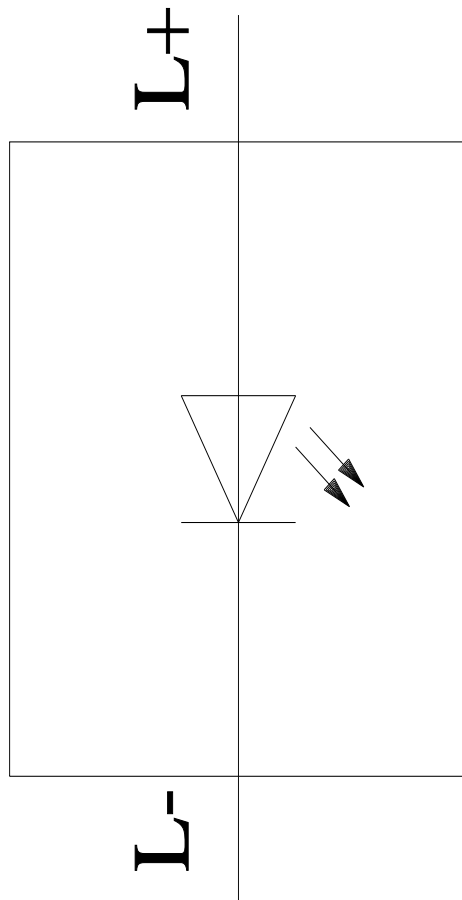
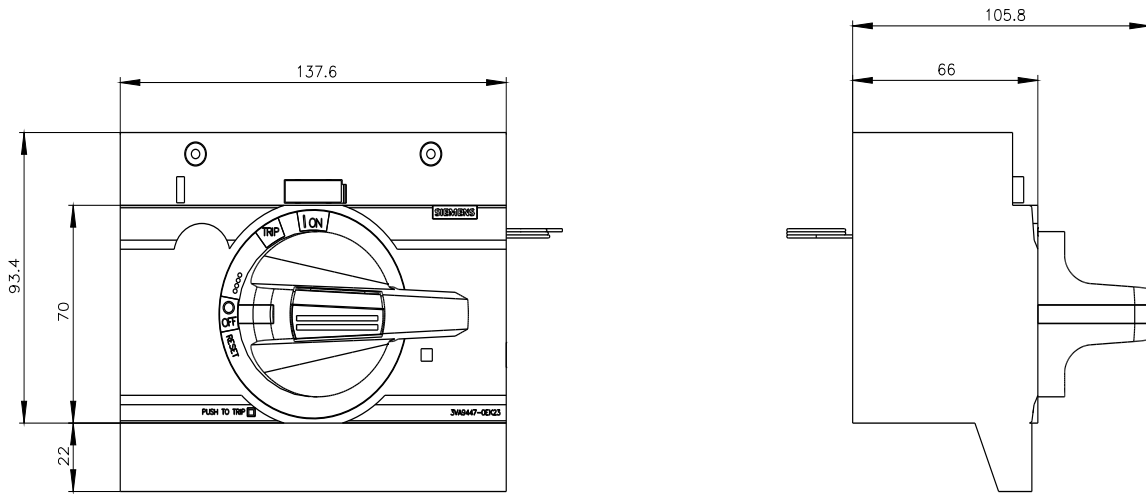
http://www.automation.siemens.com/bilddb/cax_en.aspx?mlfb=3VA9447-0EK23

CAX-Online-Generator

<http://www.siemens.com/cax>

Tender specifications

<http://www.siemens.com/specifications>



last modified:

8/10/2024

