

TOGGLE SWITCH, 16MM, ROUND, PLASTIC, BLACK, 2 SWITCH POSITIONS O-I, MOMENTARY CONTACT, RETURN FROM RIGHT, ACTUATING ANGLE 50 DEGREES



Figure similar

| | |
|----------------------------------------------------|------------------------|
| Design of the product | Single device round |
| Enclosure | |
| Number of command points | 1 |
| Actuator | |
| Design of the operating mechanism | selector switch |
| Manner of function of the actuating element | Momentary contact type |
| Product extension optional Light source | No |
| Color | |
| • of the actuating element | black |
| Material of the actuating element | plastic |
| Outer diameter of the actuating element | 19 mm |
| Type of unlocking device | without |
| Number of switching positions | 2 |
| Actuating angle | |
| • clockwise | 50° |
| Front ring | |
| Product component front ring | Yes |

| | |
|-----------------------------------|----------|
| Design of the front ring | Standard |
| Material of the front ring | plastic |
| Color of the front ring | black |

Holder

| | |
|-------------------------------|---------|
| Material of the holder | Plastic |
|-------------------------------|---------|

General technical data

| | |
|-------------------------------------------------------------------------------------------------------------------------------------------------------------------------------------------|-------------------|
| Product function | |
| <ul style="list-style-type: none"> • EMERGENCY OFF function • EMERGENCY STOP function | No No |
| Protection class IP | IP65 |
| Vibration resistance | |
| <ul style="list-style-type: none"> • acc. to IEC 60068-2-6 | 20 ... 200 Hz: 5g |
| Operating frequency maximum | 1 000 1/h |
| Mechanical service life (switching cycles) | |
| <ul style="list-style-type: none"> • typical | 300 000 |
| Equipment marking | |
| <ul style="list-style-type: none"> • acc. to DIN 40719 extended according to IEC 204-2 acc. to IEC 750 • acc. to DIN EN 61346-2 • acc. to DIN EN 81346-2 | S S S |

Connections/Terminals

| | |
|-------------------------------------------------------|---------|
| Tightening torque of the screws in the bracket | 0.4 N·m |
|-------------------------------------------------------|---------|




Ambient conditions

| | |
|------------------------------------------------------------------------------------------------|----------------------------------|
| Ambient temperature | |
| <ul style="list-style-type: none"> • during operation • during storage | -25 ... +70 °C -40 ... +80 °C |
| Environmental category during operation acc. to IEC 60721 | 3K6 |

Installation/ mounting/ dimensions

| | |
|------------------------------------------|----------------|
| Mounting type | front mounting |
| Shape of the installation opening | round |
| Mounting diameter | 16 mm |
| Mounting height | 17 mm |
| Installation width | 19 mm |
| Installation depth | 50 mm |

Certificates/approvals

| General Product Approval | Declaration of Conformity | Test Certificates | other |
|-----------------------------------------------------------------------------------------|------------------------------------------------------------------------------------------|-----------------------------------------------------------------------------------------------|-----------------------------------------------------------------------------------------------------------|
|  UL |  EAC |  EG-Konf. | spezielle Prüfbescheinigungen sonstig Bestätigungen |

| other |
|-----------------------------------|
| Umweltbestätigung |

Further information

Information- and Downloadcenter (Catalogs, Brochures,...)
<http://www.siemens.com/industrial-controls/catalogs>

Industry Mall (Online ordering system)
<https://mall.industry.siemens.com/mall/en/en/Catalog/product?mlfb=3SB2000-2BB01>

Cax online generator
<http://support.automation.siemens.com/WW/CAXorder/default.aspx?lang=en&mlfb=3SB2000-2BB01>

Service&Support (Manuals, Certificates, Characteristics, FAQs,...)
<https://support.industry.siemens.com/cs/ww/en/ps/3SB2000-2BB01>

Image database (product images, 2D dimension drawings, 3D models, device circuit diagrams, EPLAN macros, ...)
http://www.automation.siemens.com/bilddb/cax_de.aspx?mlfb=3SB2000-2BB01&lang=en

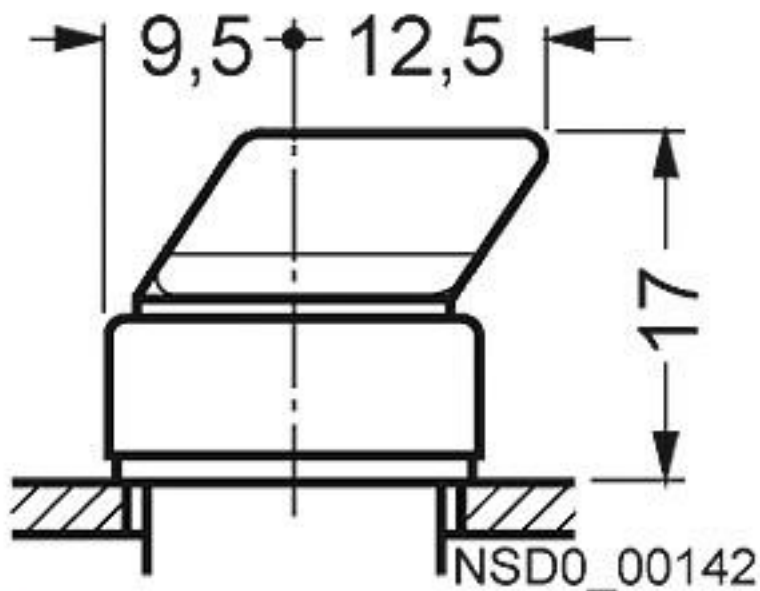


Figure similar

last modified:

12/21/2016