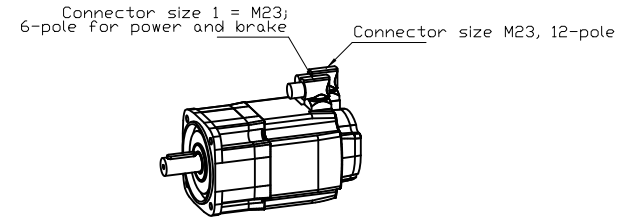
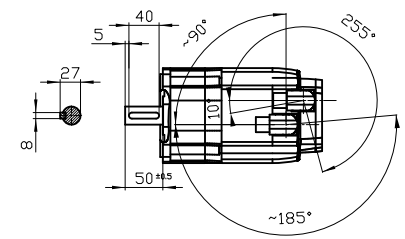
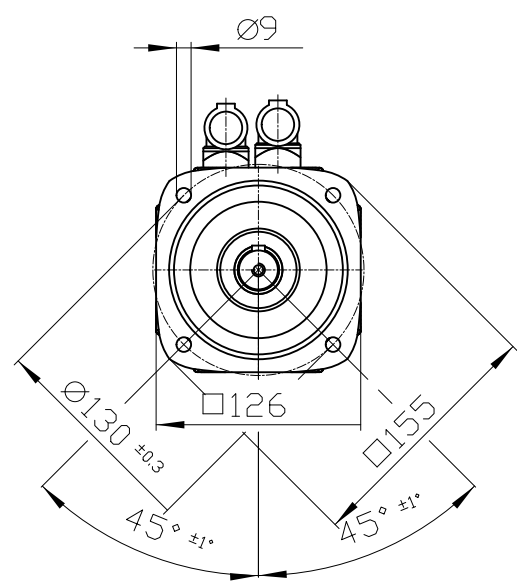
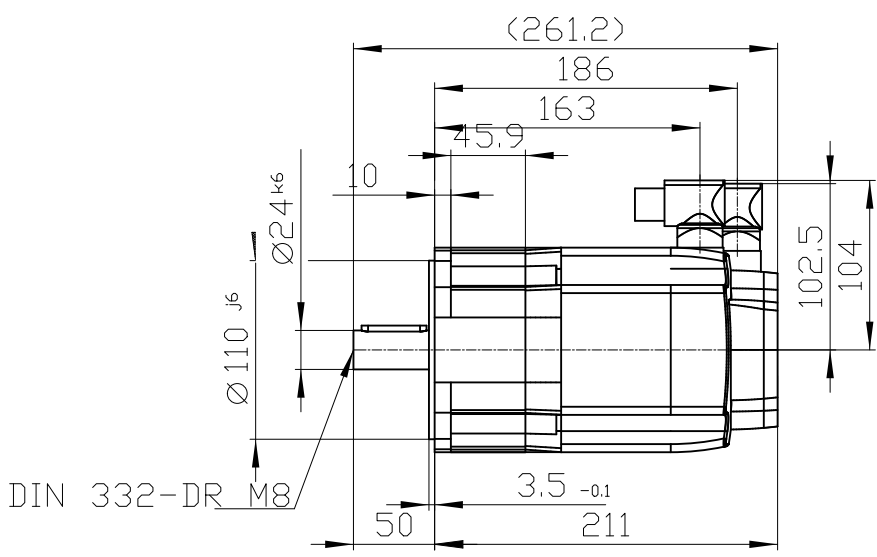
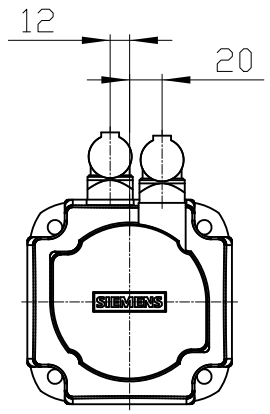
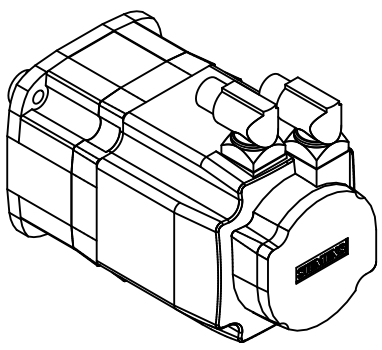


Copyright © Siemens AG 2005
 Code-drawing do not make any manual changes

The reproduction or use of this document or its contents is not permitted without express written authority. Diffenders will be liable for damages. All rights, including rights created by patent grant or registration of a utility model or design, are reserved.

Weitergabe sowie Vervielfältigung dieser Unterlage, Vervielfältigung und Mitteilung ihres Inhalts nicht gestattet, soweit nicht ausdrücklich zugestanden. Zuwiderhandlungen verpflichten zu Schadenersatz. Alle Rechte vorbehalten, insbesondere fuer den Fall der Patenterteilung oder Gk-Entragung.

Siemens reserves all rights reserved. No reproduction or disclosure of this document or its contents is permitted without express written authority. Siemens reserves all rights reserved. No reproduction or disclosure of this document or its contents is permitted without express written authority.



Unit	mm (in)	1FK7062-2AC74-1SB0
Date	2/5/20	
SIEMENS AG		
		DT