

Power contactor, AC-3 7 A, 3 kW / 400 V 1 NC, 400 V AC, 50 / 60 Hz  
3-pole, Size S00 screw terminal



Product brand name	SIRIUS
Product designation	Power contactor
Product type designation	3RT2
<b>General technical data</b>	
Size of contactor	S00
Product extension	
• function module for communication	No
• Auxiliary switch	Yes
Power loss [W] for rated value of the current	
• at AC in hot operating state	1.2 W
• at AC in hot operating state per pole	0.4 W
Power loss [W] for rated value of the current without load current share typical	4.2 W
Surge voltage resistance	
• of main circuit rated value	6 kV
• of auxiliary circuit rated value	6 kV
maximum permissible voltage for safe isolation	
• between coil and main contacts acc. to EN 60947-1	400 V

<b>Protection class IP</b>	
• on the front	IP20
• of the terminal	IP20
<b>Shock resistance at rectangular impulse</b>	
• at AC	6,7g / 5 ms, 4,2g / 10 ms
<b>Shock resistance with sine pulse</b>	
• at AC	10,5g / 5 ms, 6,6g / 10 ms
<b>Mechanical service life (switching cycles)</b>	
• of contactor typical	30 000 000
• of the contactor with added electronics-compatible auxiliary switch block typical	5 000 000
• of the contactor with added auxiliary switch block typical	10 000 000
<b>Reference code acc. to DIN 40719 extended according to IEC 204-2 acc. to IEC 750</b>	K
<b>Reference code acc. to DIN EN 81346-2</b>	Q

### Ambient conditions

<b>Installation altitude at height above sea level</b>	
• maximum	2 000 m
<b>Ambient temperature</b>	
• during operation	-25 ... +60 °C
• during storage	-55 ... +80 °C

### Main circuit

<b>Number of poles for main current circuit</b>	3
<b>Number of NO contacts for main contacts</b>	3
<b>Operating voltage</b>	
• at AC-3 rated value maximum	690 V
<b>Operating current</b>	
• at AC-1 at 400 V	
— at ambient temperature 40 °C rated value	18 A
• at AC-1	
— up to 690 V at ambient temperature 40 °C rated value	18 A
— up to 690 V at ambient temperature 60 °C rated value	16 A
• at AC-2 at 400 V rated value	7 A
• at AC-3	
— at 400 V rated value	7 A
— at 500 V rated value	6 A
— at 690 V rated value	4.9 A
• at AC-4 at 400 V rated value	6.5 A
• at AC-5a up to 690 V rated value	15.8 A

<ul style="list-style-type: none"> <li>• at AC-5b up to 400 V rated value</li> </ul>	5.8 A
<ul style="list-style-type: none"> <li>• at AC-6a               <ul style="list-style-type: none"> <li>— up to 230 V for current peak value n=20 rated value</li> <li>— up to 400 V for current peak value n=20 rated value</li> <li>— up to 500 V for current peak value n=20 rated value</li> <li>— up to 690 V for current peak value n=20 rated value</li> </ul> </li> </ul>	4 A 4 A 3.8 A 3.6 A
<ul style="list-style-type: none"> <li>• at AC-6a               <ul style="list-style-type: none"> <li>— up to 230 V for current peak value n=30 rated value</li> <li>— up to 400 V for current peak value n=30 rated value</li> <li>— up to 500 V for current peak value n=30 rated value</li> <li>— up to 690 V for current peak value n=30 rated value</li> </ul> </li> </ul>	2.7 A 2.7 A 2.5 A 2.4 A
<b>Minimum cross-section in main circuit</b>	
<ul style="list-style-type: none"> <li>• at maximum AC-1 rated value</li> </ul>	2.5 mm <sup>2</sup>
<b>Operating current for approx. 200000 operating cycles at AC-4</b>	
<ul style="list-style-type: none"> <li>• at 400 V rated value</li> <li>• at 690 V rated value</li> </ul>	2.6 A 1.8 A
<b>Operating current</b>	
<ul style="list-style-type: none"> <li>• at 1 current path at DC-1               <ul style="list-style-type: none"> <li>— at 24 V rated value</li> <li>— at 110 V rated value</li> <li>— at 220 V rated value</li> <li>— at 440 V rated value</li> <li>— at 600 V rated value</li> </ul> </li> </ul>	15 A 1.5 A 0.6 A 0.42 A 0.42 A
<ul style="list-style-type: none"> <li>• with 2 current paths in series at DC-1               <ul style="list-style-type: none"> <li>— at 24 V rated value</li> <li>— at 110 V rated value</li> <li>— at 220 V rated value</li> <li>— at 440 V rated value</li> <li>— at 600 V rated value</li> </ul> </li> </ul>	15 A 8.4 A 1.2 A 0.6 A 0.5 A
<ul style="list-style-type: none"> <li>• with 3 current paths in series at DC-1               <ul style="list-style-type: none"> <li>— at 24 V rated value</li> <li>— at 110 V rated value</li> <li>— at 220 V rated value</li> <li>— at 440 V rated value</li> </ul> </li> </ul>	15 A 15 A 15 A 0.9 A

— at 600 V rated value	0.7 A
<b>Operating current</b>	
• at 1 current path at DC-3 at DC-5	
— at 24 V rated value	15 A
— at 110 V rated value	0.1 A
• with 2 current paths in series at DC-3 at DC-5	
— at 24 V rated value	15 A
— at 110 V rated value	0.25 A
• with 3 current paths in series at DC-3 at DC-5	
— at 24 V rated value	15 A
— at 110 V rated value	15 A
— at 220 V rated value	1.2 A
— at 440 V rated value	0.14 A
— at 600 V rated value	0.14 A
<b>Operating power</b>	
• at AC-1	
— at 230 V rated value	6.3 kW
— at 230 V at 60 °C rated value	6 kW
— at 400 V rated value	11 kW
— at 400 V at 60 °C rated value	10.5 kW
— at 690 V rated value	19 kW
— at 690 V at 60 °C rated value	18 kW
• at AC-2 at 400 V rated value	3 kW
• at AC-3	
— at 230 V rated value	1.5 kW
— at 400 V rated value	3 kW
— at 500 V rated value	3 kW
— at 690 V rated value	4 kW
<b>Operating power for approx. 200000 operating cycles at AC-4</b>	
• at 400 V rated value	1.15 kW
• at 690 V rated value	1.15 kW
<b>No-load switching frequency</b>	
• at AC	10 000 1/h
<b>Operating frequency</b>	
• at AC-1 maximum	1 000 1/h
• at AC-2 maximum	750 1/h
• at AC-3 maximum	750 1/h
• at AC-4 maximum	250 1/h
<b>Control circuit/ Control</b>	
<b>Type of voltage of the control supply voltage</b>	AC

<b>Control supply voltage at AC</b>	
• at 50 Hz rated value	400 V
• at 60 Hz rated value	400 V
<b>Operating range factor control supply voltage rated value of magnet coil at AC</b>	
• at 50 Hz	0.8 ... 1.1
• at 60 Hz	0.85 ... 1.1
<b>Apparent pick-up power of magnet coil at AC</b>	
• at 50 Hz	27 V·A
• at 60 Hz	24.3 V·A
<b>Inductive power factor with closing power of the coil</b>	
• at 50 Hz	0.8
• at 60 Hz	0.75
<b>Apparent holding power of magnet coil at AC</b>	
• at 50 Hz	4.2 V·A
• at 60 Hz	3.3 V·A
<b>Inductive power factor with the holding power of the coil</b>	
• at 50 Hz	0.25
• at 60 Hz	0.25
<b>Closing delay</b>	
• at AC	9 ... 35 ms
<b>Opening delay</b>	
• at AC	3.5 ... 14 ms
<b>Arcing time</b>	10 ... 15 ms
<b>Control version of the switch operating mechanism</b>	Standard A1 - A2

#### Auxiliary circuit

<b>Number of NC contacts for auxiliary contacts</b>	
• instantaneous contact	1
<b>Operating current at AC-12 maximum</b>	10 A
<b>Operating current at AC-15</b>	
• at 230 V rated value	10 A
• at 400 V rated value	3 A
• at 500 V rated value	2 A
• at 690 V rated value	1 A
<b>Operating current at DC-12</b>	
• at 24 V rated value	10 A
• at 48 V rated value	6 A
• at 60 V rated value	6 A
• at 110 V rated value	3 A
• at 125 V rated value	2 A
• at 220 V rated value	1 A

<ul style="list-style-type: none"> <li>• at 600 V rated value</li> </ul>	0.15 A
<b>Operating current at DC-13</b>	
<ul style="list-style-type: none"> <li>• at 24 V rated value</li> <li>• at 48 V rated value</li> <li>• at 60 V rated value</li> <li>• at 110 V rated value</li> <li>• at 125 V rated value</li> <li>• at 220 V rated value</li> <li>• at 600 V rated value</li> </ul>	10 A 2 A 2 A 1 A 0.9 A 0.3 A 0.1 A
<b>Contact reliability of auxiliary contacts</b>	1 faulty switching per 100 million (17 V, 1 mA)

### UL/CSA ratings

<b>Full-load current (FLA) for three-phase AC motor</b>	
<ul style="list-style-type: none"> <li>• at 480 V rated value</li> <li>• at 600 V rated value</li> </ul>	4.8 A 6.1 A
<b>Yielded mechanical performance [hp]</b>	
<ul style="list-style-type: none"> <li>• for single-phase AC motor               <ul style="list-style-type: none"> <li>— at 110/120 V rated value</li> <li>— at 230 V rated value</li> </ul> </li> <li>• for three-phase AC motor               <ul style="list-style-type: none"> <li>— at 200/208 V rated value</li> <li>— at 220/230 V rated value</li> <li>— at 460/480 V rated value</li> <li>— at 575/600 V rated value</li> </ul> </li> </ul>	0.25 hp 0.75 hp  1.5 hp 2 hp 3 hp 5 hp
<b>Contact rating of auxiliary contacts according to UL</b>	A600 / Q600

### Short-circuit protection

<b>Design of the fuse link</b>	
<ul style="list-style-type: none"> <li>• for short-circuit protection of the main circuit               <ul style="list-style-type: none"> <li>— with type of coordination 1 required</li> <li>— with type of assignment 2 required</li> </ul> </li> <li>• for short-circuit protection of the auxiliary switch required</li> </ul>	gG: 35A (690V,100kA), aM: 20A (690V,100kA), BS88: 35A (415V,80kA) gG: 20A (690V,100kA), aM: 16A (690V, 100kA), BS88: 20A (415V, 80kA) gG: 10 A (500 V, 1 kA)

### Installation/ mounting/ dimensions

<b>Mounting position</b>	+/-180° rotation possible on vertical mounting surface; can be tilted forward and backward by +/- 22.5° on vertical mounting surface
<b>Mounting type</b>	screw and snap-on mounting onto 35 mm standard mounting rail according to DIN EN 60715
<ul style="list-style-type: none"> <li>• Side-by-side mounting</li> </ul>	Yes
<b>Height</b>	58 mm
<b>Width</b>	45 mm

<b>Depth</b>	73 mm
<b>Required spacing</b>	
<ul style="list-style-type: none"> <li>• with side-by-side mounting <ul style="list-style-type: none"> <li>— forwards 10 mm</li> <li>— upwards 10 mm</li> <li>— downwards 10 mm</li> <li>— at the side 0 mm</li> </ul> </li> <li>• for grounded parts <ul style="list-style-type: none"> <li>— forwards 10 mm</li> <li>— upwards 10 mm</li> <li>— at the side 6 mm</li> <li>— downwards 10 mm</li> </ul> </li> <li>• for live parts <ul style="list-style-type: none"> <li>— forwards 10 mm</li> <li>— upwards 10 mm</li> <li>— downwards 10 mm</li> <li>— at the side 6 mm</li> </ul> </li> </ul>	

Connections/ Terminals	
<b>Type of electrical connection</b>	
<ul style="list-style-type: none"> <li>• for main current circuit</li> <li>• for auxiliary and control current circuit</li> <li>• at contactor for auxiliary contacts</li> <li>• of magnet coil</li> </ul>	<p>screw-type terminals</p> <p>screw-type terminals</p> <p>Screw-type terminals</p> <p>Screw-type terminals</p>
<b>Type of connectable conductor cross-sections</b>	
<ul style="list-style-type: none"> <li>• for main contacts <ul style="list-style-type: none"> <li>— solid 2x (0.5 ... 1.5 mm<sup>2</sup>), 2x (0.75 ... 2.5 mm<sup>2</sup>), 2x 4 mm<sup>2</sup></li> <li>— single or multi-stranded 2x (0,5 ... 1,5 mm<sup>2</sup>), 2x (0,75 ... 2,5 mm<sup>2</sup>), 2x 4 mm<sup>2</sup></li> <li>— finely stranded with core end processing 2x (0.5 ... 1.5 mm<sup>2</sup>), 2x (0.75 ... 2.5 mm<sup>2</sup>)</li> </ul> </li> <li>• at AWG conductors for main contacts 2x (20 ... 16), 2x (18 ... 14), 2x 12</li> </ul>	
<b>Connectable conductor cross-section for main contacts</b>	
<ul style="list-style-type: none"> <li>• solid 0.5 ... 4 mm<sup>2</sup></li> <li>• stranded 0.5 ... 4 mm<sup>2</sup></li> <li>• finely stranded with core end processing 0.5 ... 2.5 mm<sup>2</sup></li> </ul>	
<b>Connectable conductor cross-section for auxiliary contacts</b>	
<ul style="list-style-type: none"> <li>• single or multi-stranded 0.5 ... 4 mm<sup>2</sup></li> <li>• finely stranded with core end processing 0.5 ... 2.5 mm<sup>2</sup></li> </ul>	
<b>Type of connectable conductor cross-sections</b>	
<ul style="list-style-type: none"> <li>• for auxiliary contacts <ul style="list-style-type: none"> <li>— single or multi-stranded 2x (0,5 ... 1,5 mm<sup>2</sup>), 2x (0,75 ... 2,5 mm<sup>2</sup>), 2x 4 mm<sup>2</sup></li> </ul> </li> </ul>	

— finely stranded with core end processing	2x (0.5 ... 1.5 mm <sup>2</sup> ), 2x (0.75 ... 2.5 mm <sup>2</sup> )
• at AWG conductors for auxiliary contacts	2x (20 ... 16), 2x (18 ... 14), 2x 12
<b>AWG number as coded connectable conductor cross section</b>	
• for main contacts	20 ... 12
• for auxiliary contacts	20 ... 12

Safety related data	
<b>B10 value</b>	
• with high demand rate acc. to SN 31920	1 000 000
<b>Proportion of dangerous failures</b>	
• with low demand rate acc. to SN 31920	40 %
• with high demand rate acc. to SN 31920	73 %
<b>Failure rate [FIT]</b>	
• with low demand rate acc. to SN 31920	100 FIT
<b>Product function</b>	
• Mirror contact acc. to IEC 60947-4-1	Yes
<b>T1 value for proof test interval or service life acc. to IEC 61508</b>	20 y
<b>Protection against electrical shock</b>	finger-safe

Certificates/ approvals

General Product Approval	EMC
--------------------------	-----



[KC](#)



Functional Safety/Safety of Machinery	Declaration of Conformity	Test Certificates	Marine / Shipping
---------------------------------------	---------------------------	-------------------	-------------------

[Type Examination Certificate](#)



[Miscellaneous](#)

[Type Test Certificates/Test Report](#)

[Special Test Certificate](#)



Marine / Shipping
-------------------



other
-------

[Confirmation](#)



Further information
---------------------

**Information- and Downloadcenter (Catalogs, Brochures,...)**

[www.siemens.com/sirius/catalogs](http://www.siemens.com/sirius/catalogs)

**Industry Mall (Online ordering system)**

<https://mall.industry.siemens.com/mall/en/en/Catalog/product?mlfb=3RT2015-1AV02>

**Cax online generator**

<http://support.automation.siemens.com/WW/CAXorder/default.aspx?lang=en&mlfb=3RT2015-1AV02>

**Service&Support (Manuals, Certificates, Characteristics, FAQs,...)**

<https://support.industry.siemens.com/cs/ww/en/ps/3RT2015-1AV02>

**Image database (product images, 2D dimension drawings, 3D models, device circuit diagrams, EPLAN macros, ...)**

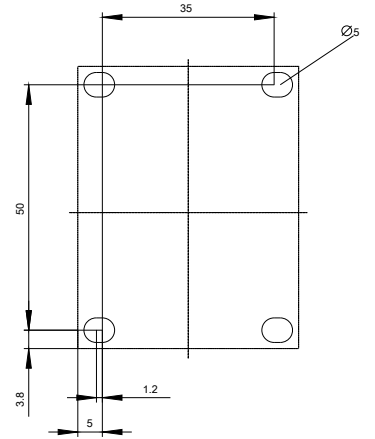
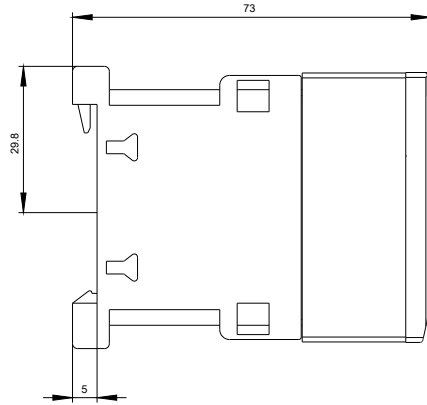
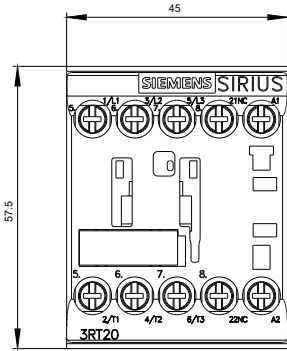
[http://www.automation.siemens.com/bilddb/cax\\_de.aspx?mlfb=3RT2015-1AV02&lang=en](http://www.automation.siemens.com/bilddb/cax_de.aspx?mlfb=3RT2015-1AV02&lang=en)

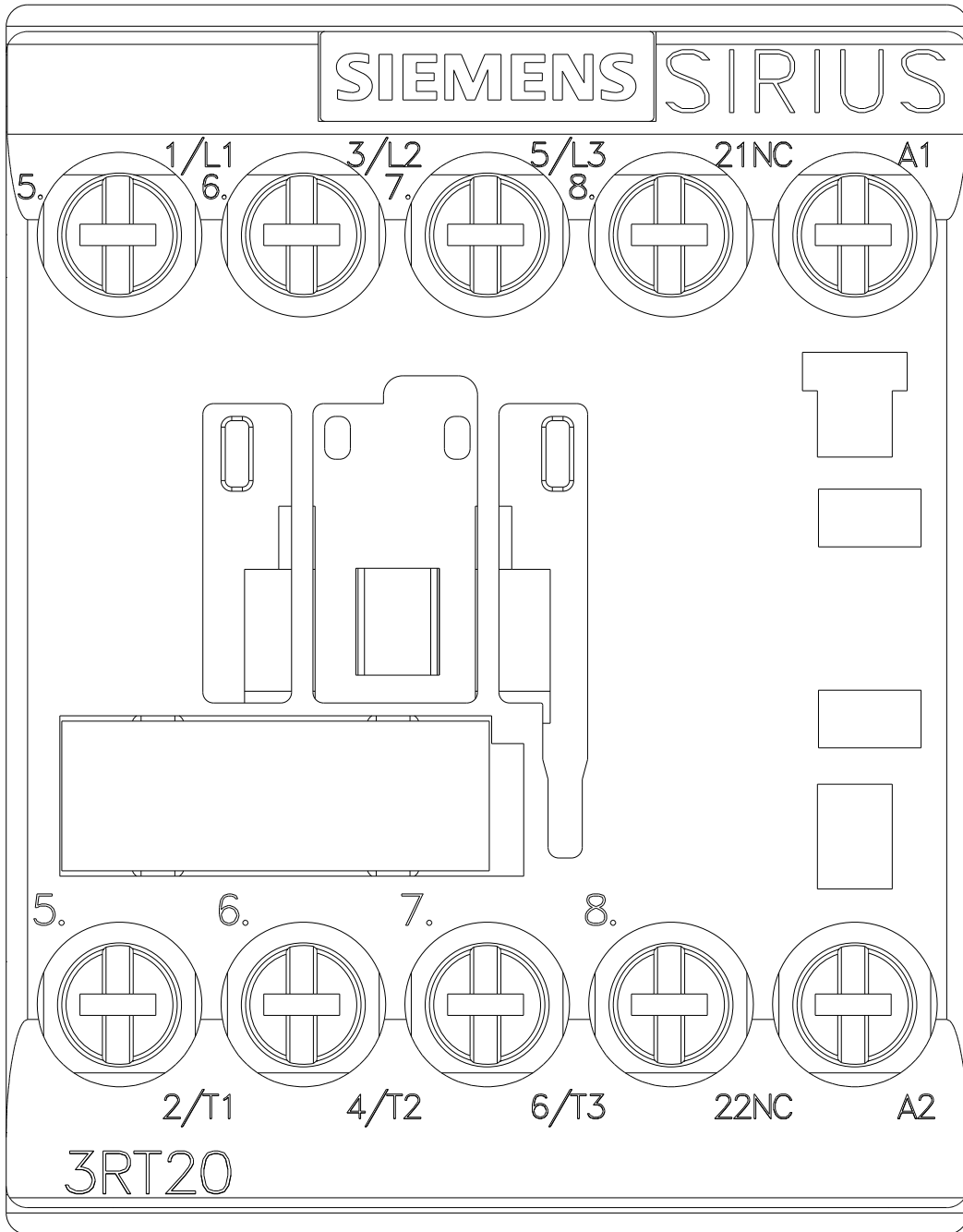
**Characteristic: Tripping characteristics, I<sup>2</sup>t, Let-through current**

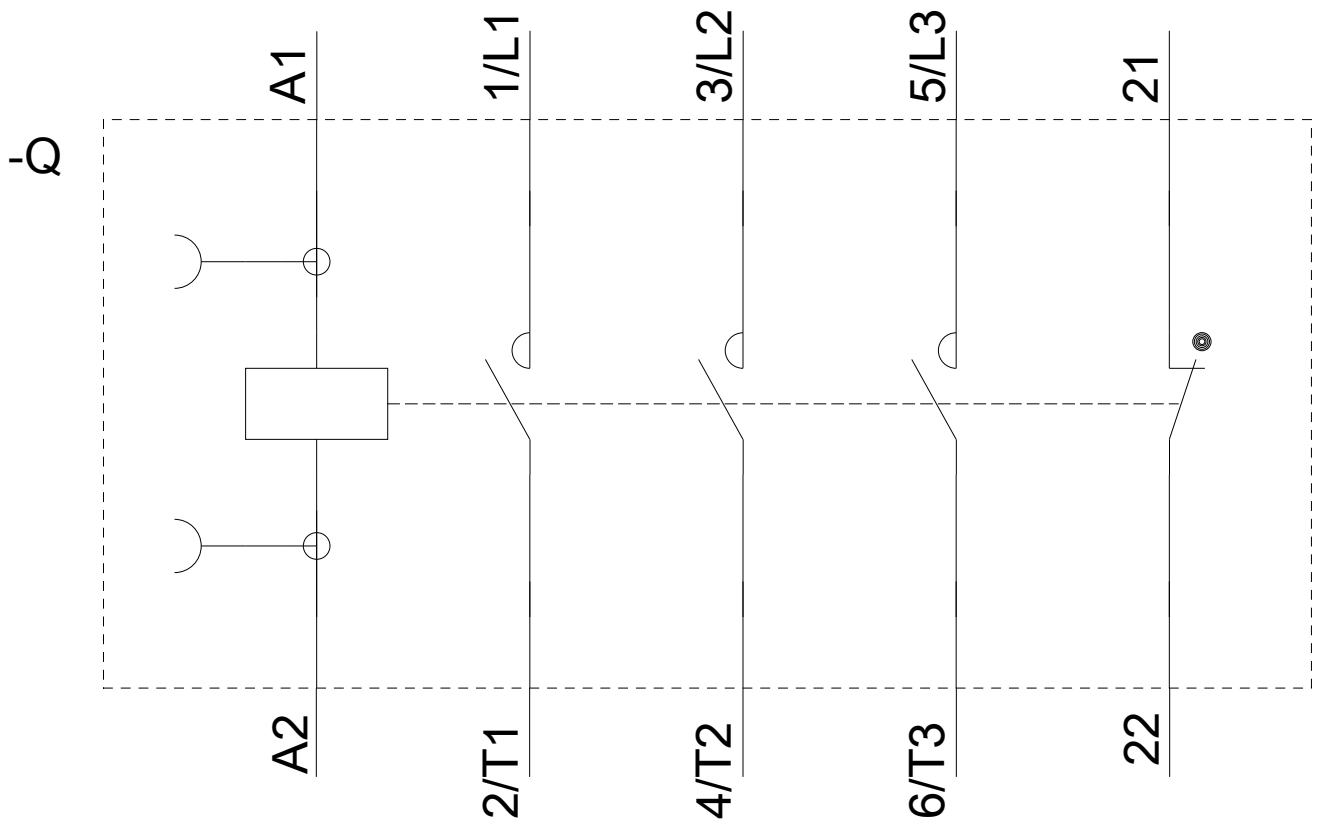
<https://support.industry.siemens.com/cs/ww/en/ps/3RT2015-1AV02/char>

**Further characteristics (e.g. electrical endurance, switching frequency)**

<http://www.automation.siemens.com/bilddb/index.aspx?view=Search&mlfb=3RT2015-1AV02&objecttype=14&gridview=view1>







last modified:

11/19/2019