



**FIRE RATED PATHWAY**

## INSTALLATION SHEET

### Series 44+ Fire Rated Pathway Extension (EZD44ES)

#### GENERAL - READ COMPLETELY BEFORE INSTALLING

Extension Module attaches to the end of an EZ-Path® Series 44+ Pathway increasing the effective length in multiples of 6" (15 cm) for pathway installation in thicker walls or floors.

Extensions are designed to be compatible with all other accessories including wall and mounting plates and cable waterfalls (Radius Control Module).

These instructions are limited to the use of this item. See installation instructions for individual accessories for additional information that may be required for use of this product in specific applications.

NOTE: An EZ-Path® Series 44+ Pathway provides the firestop for the extended raceway and must be used in conjunction with these extensions.

#### BARRIER THICKNESS & REQUIRED EXTENSIONS:

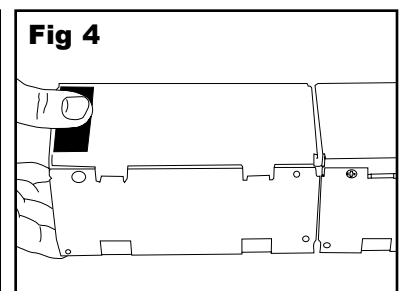
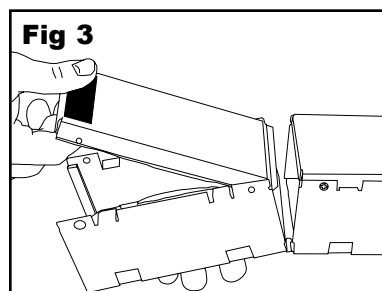
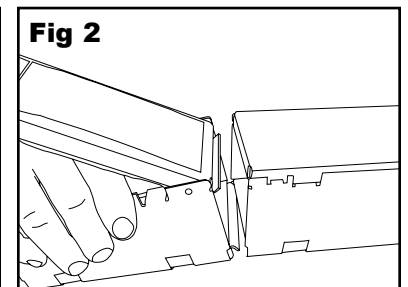
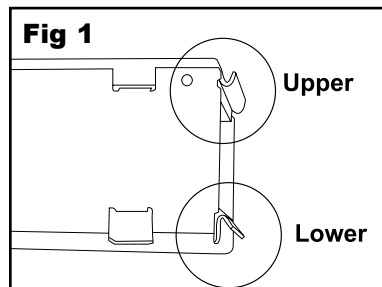
BARRIER THICKNESS		EXTENSIONS REQUIRED	POSITION
Min	Max		
12" (31 cm)	18" (46 cm)	One (1)	Attach a single extension to either end of pathway
18" (46 cm)	24" (61 cm)	Two (2)	Attach extensions to both ends of pathway

#### METHOD OF ATTACHMENT:

**General:** Extension is designed to insert within an EZ-Path® Series 44+ Pathway and attach to the flanges located at the top and bottom of either end. A fixed hook-profiled lower flange (lower coupler, Fig 1) on the extension is designed to grasp the straight lower pathway flange. A similar grasping mechanism designed to lever upward and grasp the upper flange is incorporated into the extension lid (upper coupler, Fig 1). Care should be exercised to make sure that the pathways intumescent pads do not become caught within the engaging flanges.

#### NEW CABLE INSTALLATIONS:

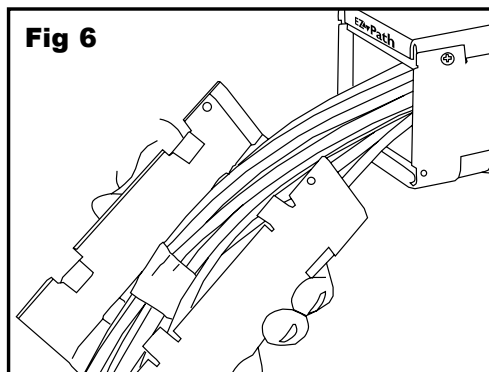
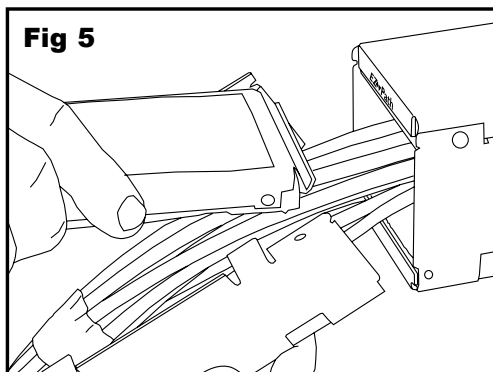
1. Tilt pathway lid to the open position and grasp pathway with hand between pathway channel and open lid.
2. While holding extension with lid open, insert fixed lower coupler onto pathway. Push extension down so that lower coupler inserts between pathway's bottom flange and intumescent pad (Fig 2)
3. Tilt extension upward until upward coupler is within pathway and extension is snugly abutted to end of pathway (Fig 3).
4. Engage upper coupler to top flange on pathway by tilting extension lid downward (to the closed position) making sure that mating flanges are freely engaged and intumescent pads are displaced backward and clear of the flange assembly (Fig 4).
5. Secure closed lid to extension channel by installing and tightening included screws.



NOTE: STOP and repeat process if any resistance is encountered.

### EXISTING CABLE INSTALLATIONS:

1. Remove and separate extension lid from extension channel.
2. Place extension channel around cable bundle (Fig 5).
3. Snap lid back onto extension channel (Fig 6) and continue installation per New Cable Installations.



**EZ-Path<sup>®</sup> Fire-Rated Pathway**  
FIRESTOP DEVICE CERTIFIED FOR USE IN  
THROUGH-PENETRATION FIRESTOP SYSTEMS  
SEE UL ONLINE CERTIFICATIONS DIRECTORY.

**IMPORTANT NOTICE:** All statements, technical information, and recommendations contained herein are based upon testing believed to be reliable, but the accuracy and completeness thereof is not guaranteed.

**WARRANTY:** Specified Technologies Inc. manufactures its goods in a manner to be free of defects. Should any defect occur in its goods (within one year), Specified Technologies Inc., upon prompt notification, will at its option, exchange or repair the goods or refund the purchase price.

**LIMITATIONS AND EXCLUSIONS:** THIS WARRANTY IS IN LIEU OF ALL OTHER REPRESENTATIONS EXPRESSED OR IMPLIED (INCLUDING THE IMPLIED WARRANTIES OF MERCHANTABILITY OR FITNESS FOR USE) AND UNDER NO CIRCUMSTANCES SHALL SPECIFIED TECHNOLOGIES INC. BE RESPONSIBLE FOR ANY INCIDENTAL OR CONSEQUENTIAL PROPERTY DAMAGE OR LOSSES. PRIOR TO USE, THE USER SHALL DETERMINE THE SUITABILITY OF THE PRODUCT FOR ITS INTENDED USE, AND THE USER ASSUMES ALL RISKS AND LIABILITY FOR SUBSEQUENT USE. No statement or recommendation not contained herein shall have any force or effect unless in an agreement signed by officers of seller and manufacturer.

**MADE IN THE USA • PRINTED IN THE USA – COPYRIGHT © 2017 SPECIFIED TECHNOLOGIES INC.**



Somerville, NJ 08876 USA

Phone: (800) 992-1180 • Fax: (908) 526-9623

[www.stifirestop.com](http://www.stifirestop.com)