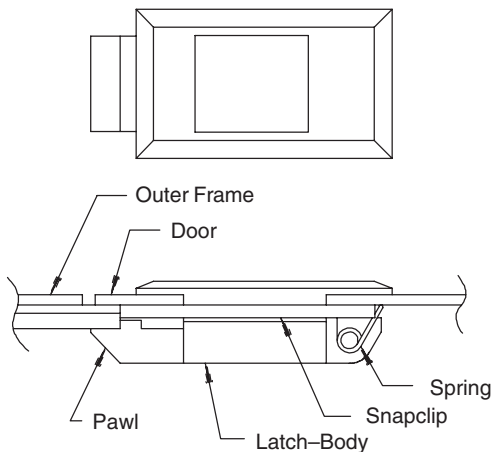


Slide Latch



1. Place latch body, pawl end first, into door cutout.
2. Push back spring end of latch-body into cutout.
3. Slide snapclip onto latch body underside, starting at pawl end.