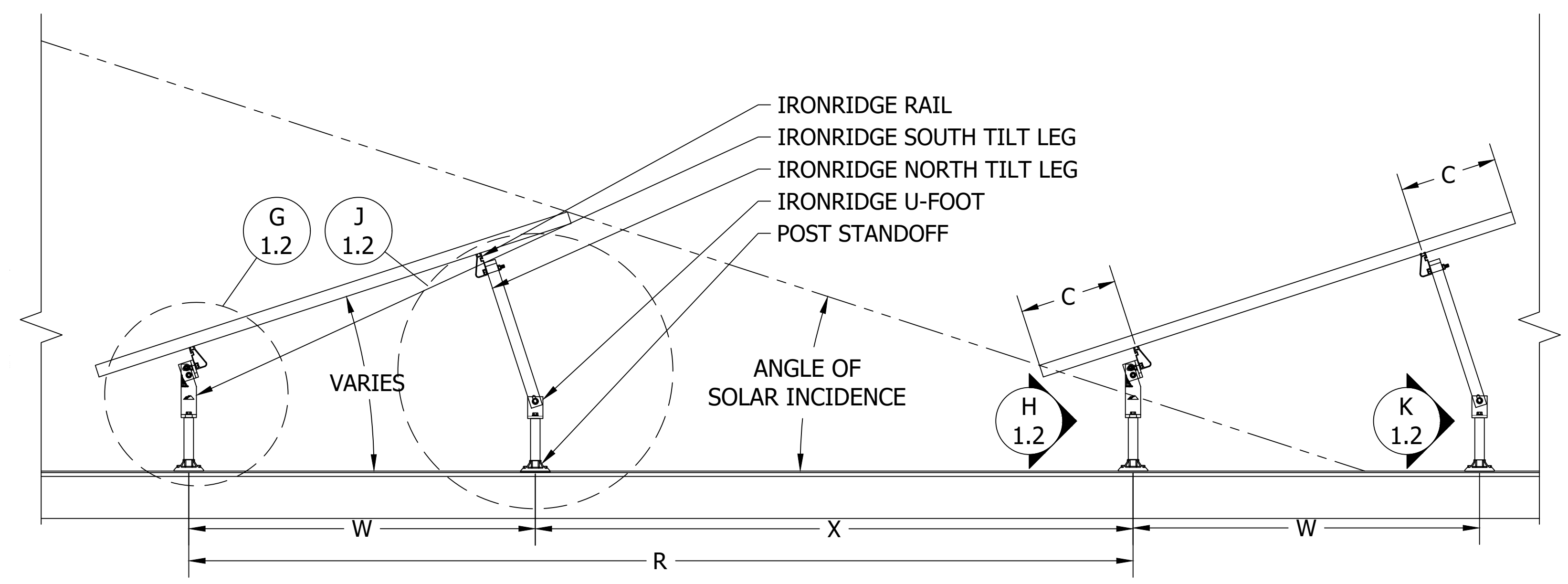
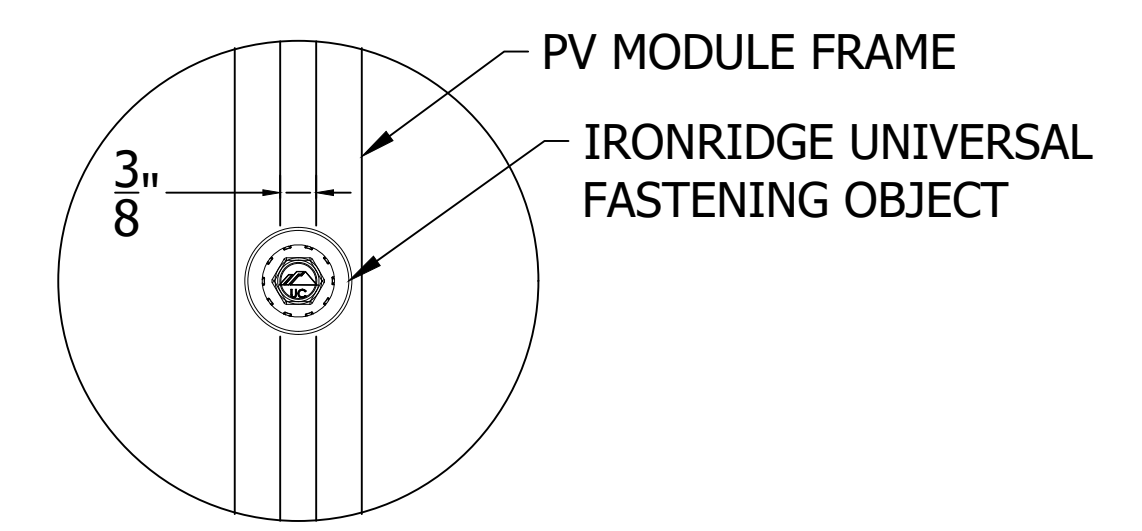


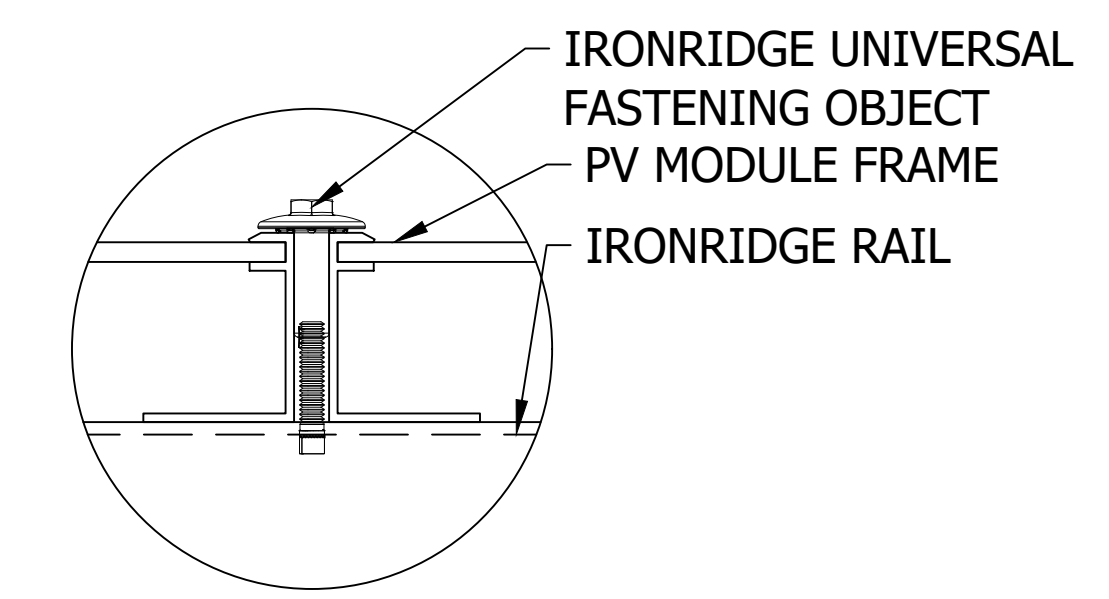
A PLAN VIEW, QUICKMOUNT, PORTRAIT MODULE
Scale: 1"=1'-0"



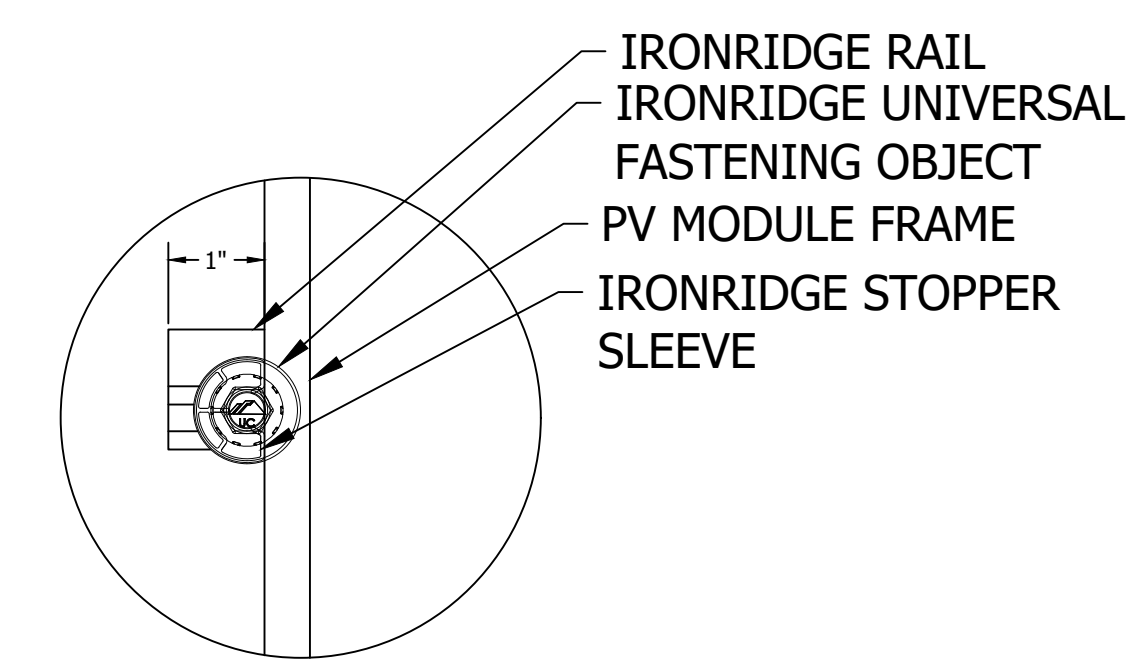
B SIDE VIEW, QUICKMOUNT, PORTRAIT MODULE
Scale: 1"=1'-0"



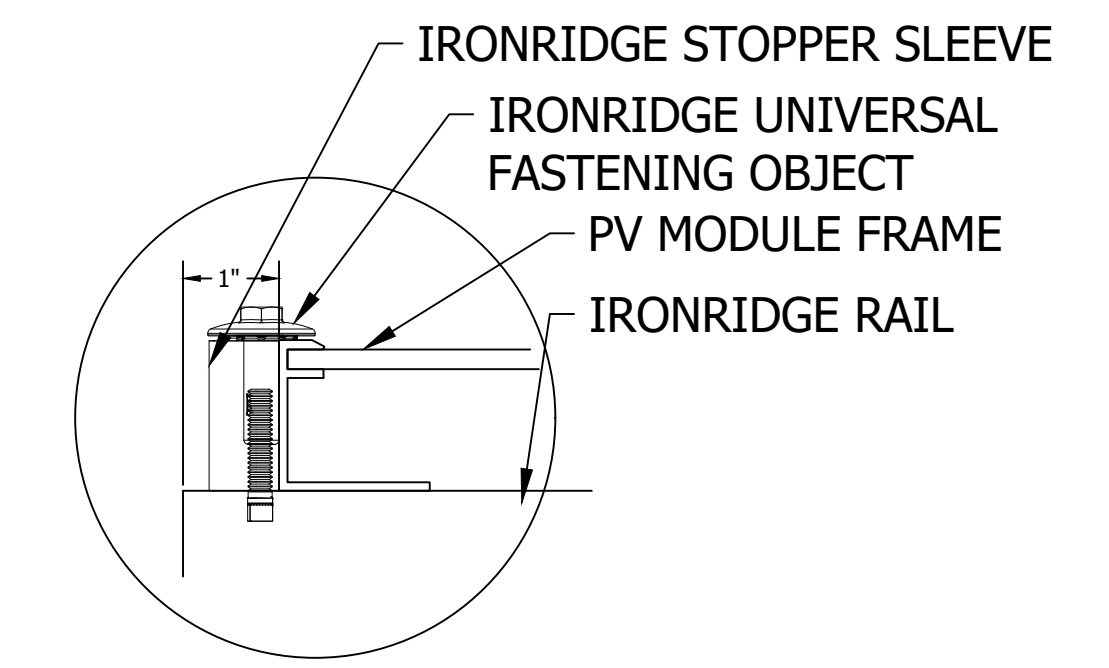
C DETAIL, MID CLAMP PLAN
Scale: 6"=1'-0"



D DETAIL, MID CLAMP FRONT
Scale: 6"=1'-0"



E DETAIL, END CLAMP PLAN
Scale: 6"=1'-0"



F DETAIL, END CLAMP FRONT
Scale: 6"=1'-0"

IRONRIDGE	CLIENT NAME	FLAT ROOF MOUNT SYSTEM
	PROJECT NAME	
	PROJECT ADDRESS	
	SYSTEM KW/DC	

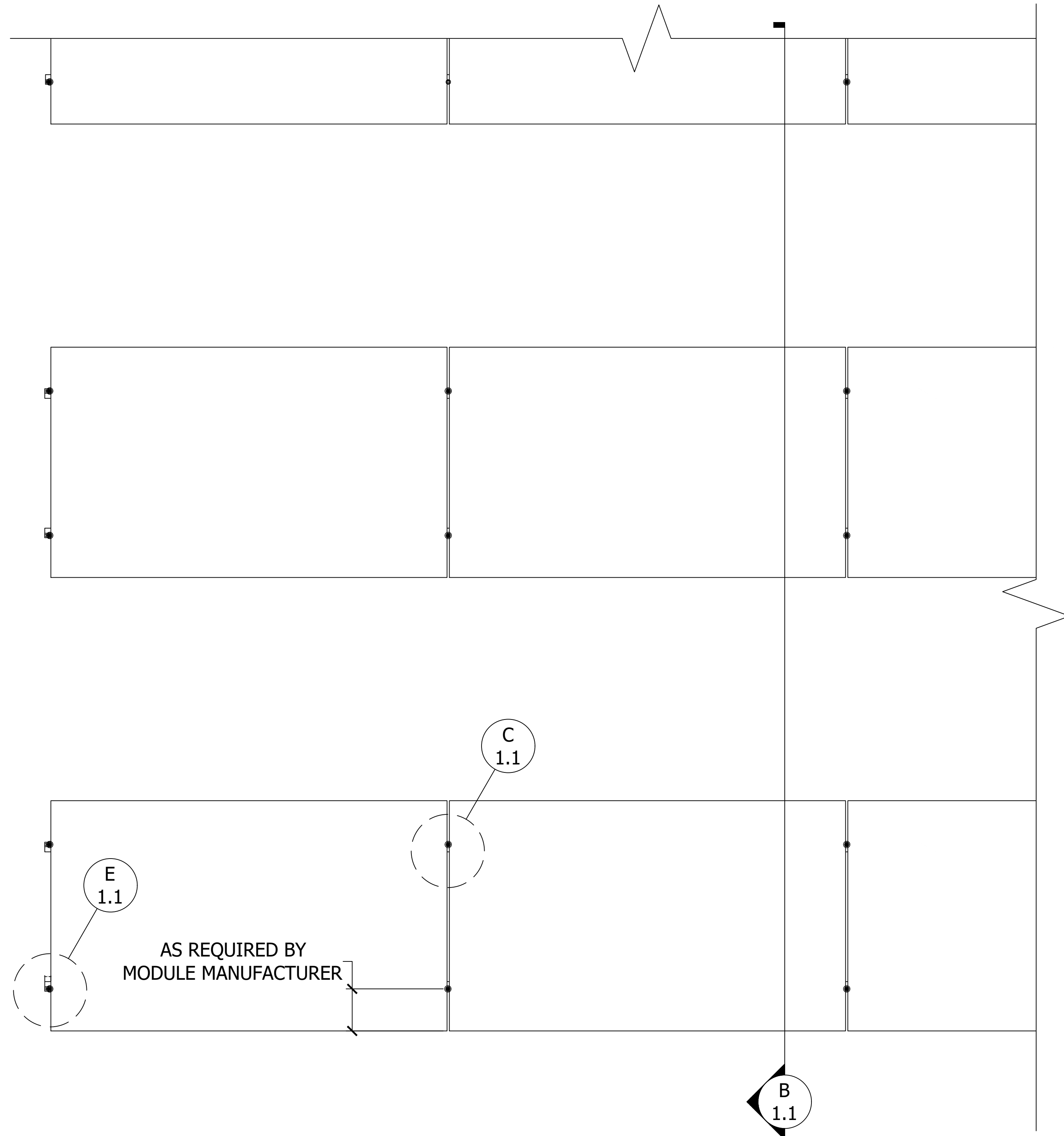
WIND SPEED, MPH	·
SNOW LOAD, PSF	·
EXPOSURE CAT	·
RISK CAT	·
MODULE TYPE	60-CELL, GENERIC
MODULE W/DC	·
MODULE QTY	·

APPROVAL STATUS

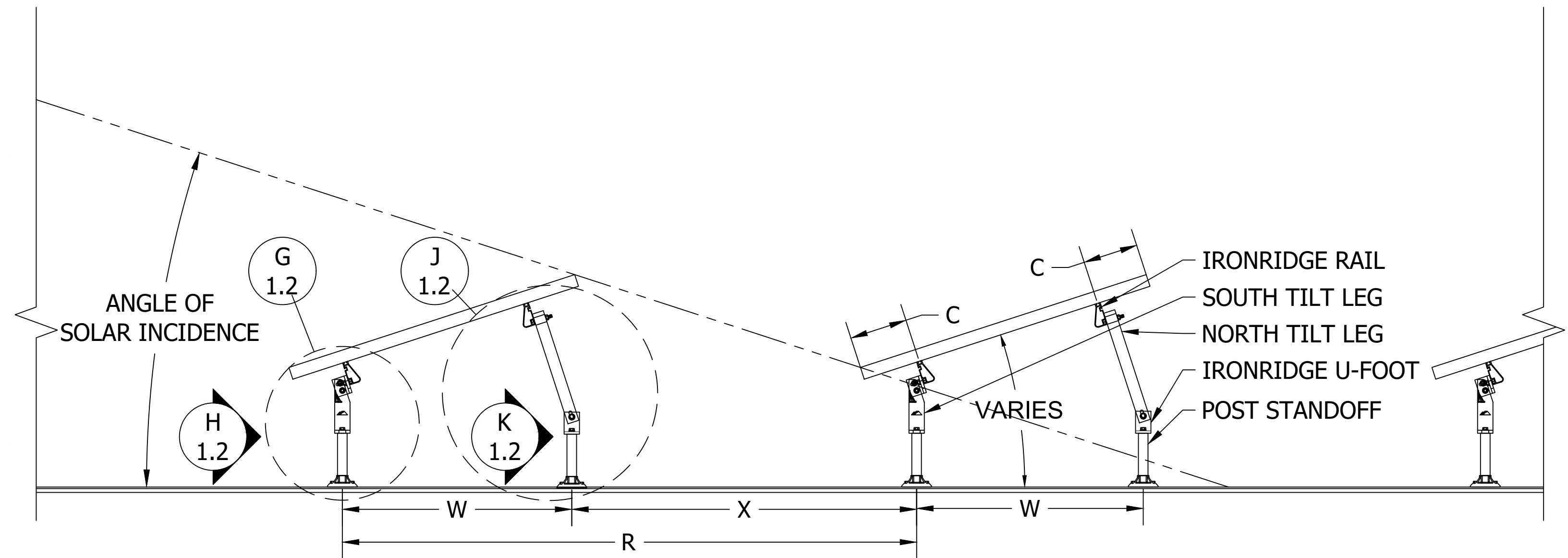
NOT FOR CONSTRUCTION

REV	DESCRIPTION	DATE

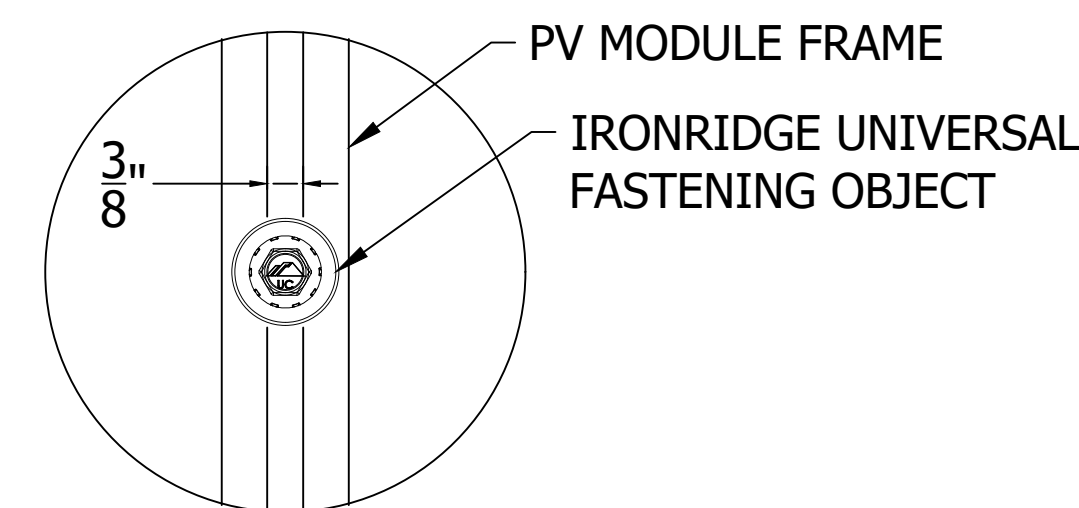
SHEET NAME	
FLAT ROOF PV SYSTEM	
DETAILS: QUICKMOUNT	
JOB NO.	3.0 FR
ISSUE DATE	XX FEB 2016
SHEET NO.	IR 1.0
SHEET SIZE	24X36



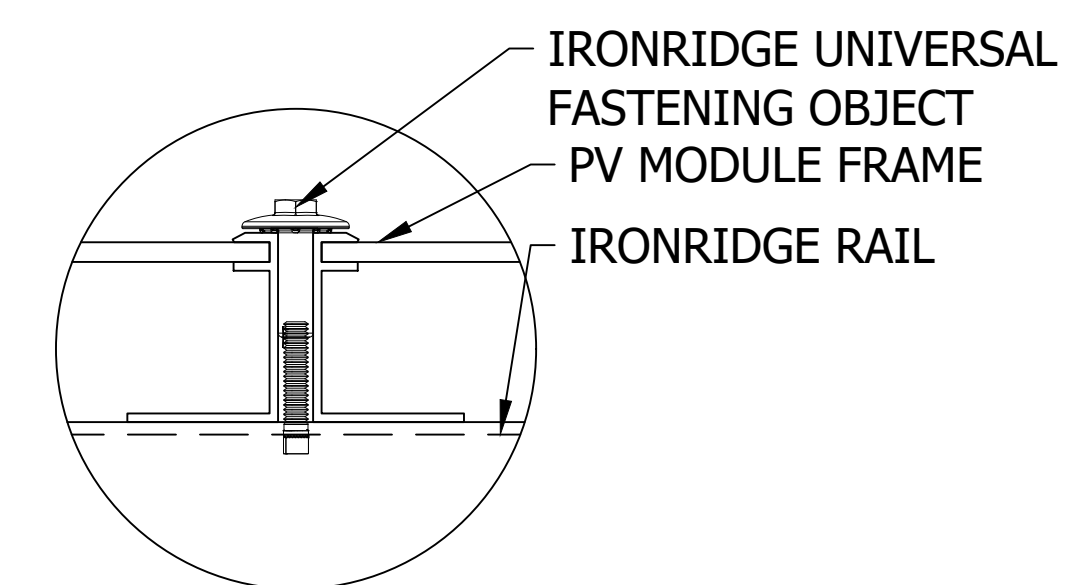
B SIDE VIEW, QUICKMOUNT, LANDSCAPE MODULE
Scale: 1"=1'-0"



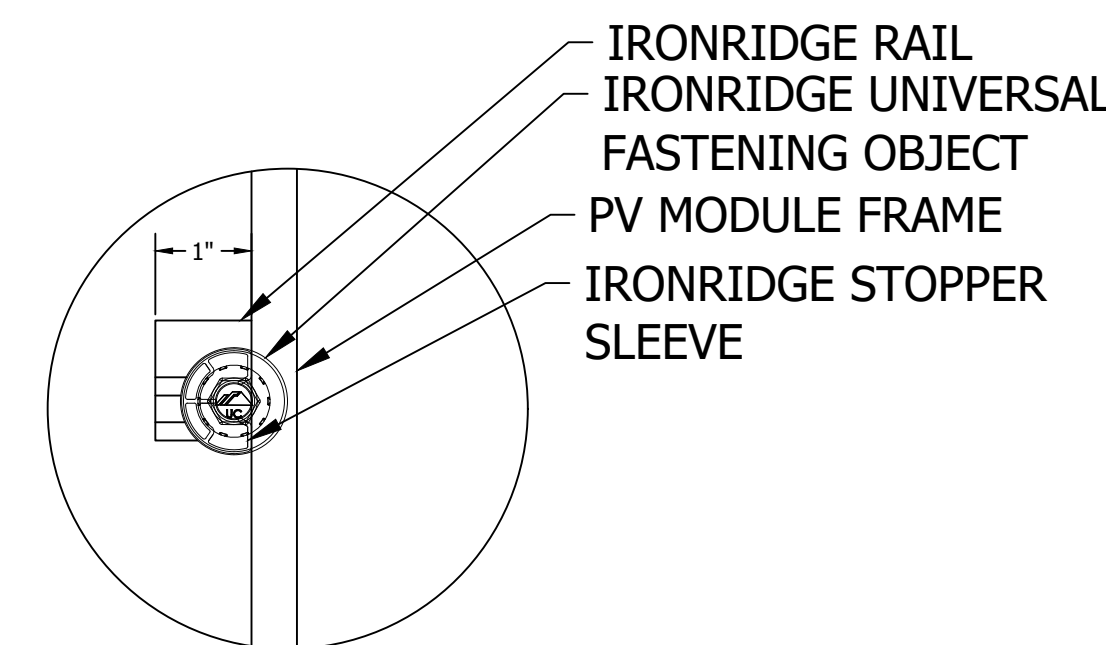
B SIDE VIEW, QUICKMOUNT, LANDSCAPE MODULE
Scale: 1"=1'-0"



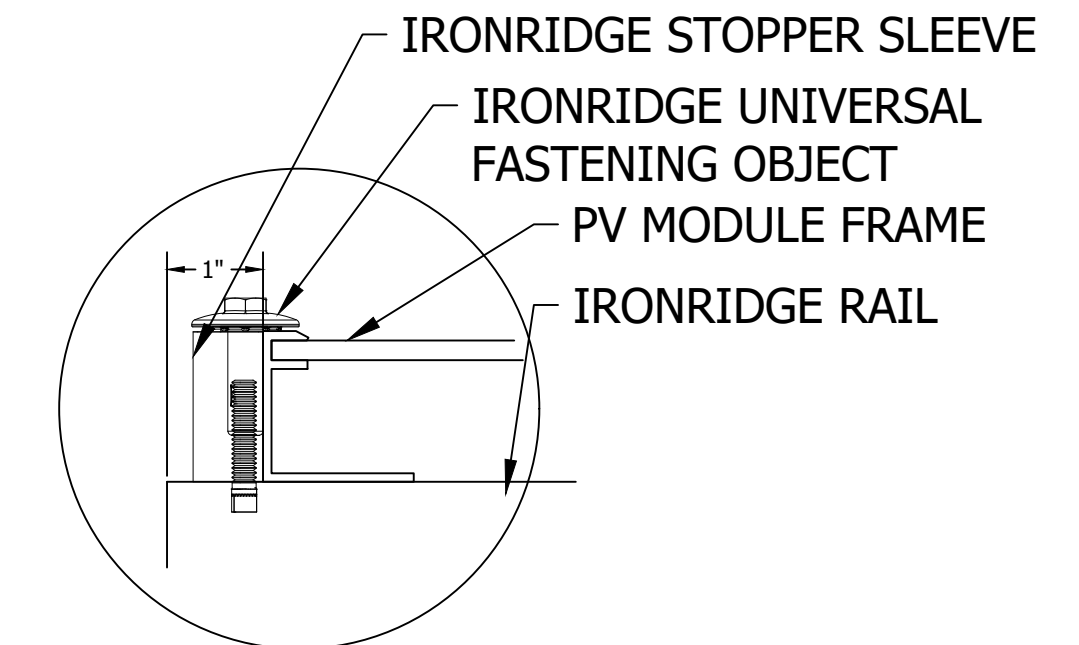
C DETAIL, MID CLAMP PLAN
Scale: 6"=1'-0"



D DETAIL, MID CLAMP FRONT
Scale: 6"=1'-0"



E DETAIL, END CLAMP PLAN
Scale: 6"=1'-0"



F DETAIL, END CLAMP FRONT
Scale: 6"=1'-0"

CLIENT NAME	IRONRIDGE
PROJECT NAME	FLAT ROOF MOUNT SYSTEM
PROJECT ADDRESS	
SYSTEM KW/DC	

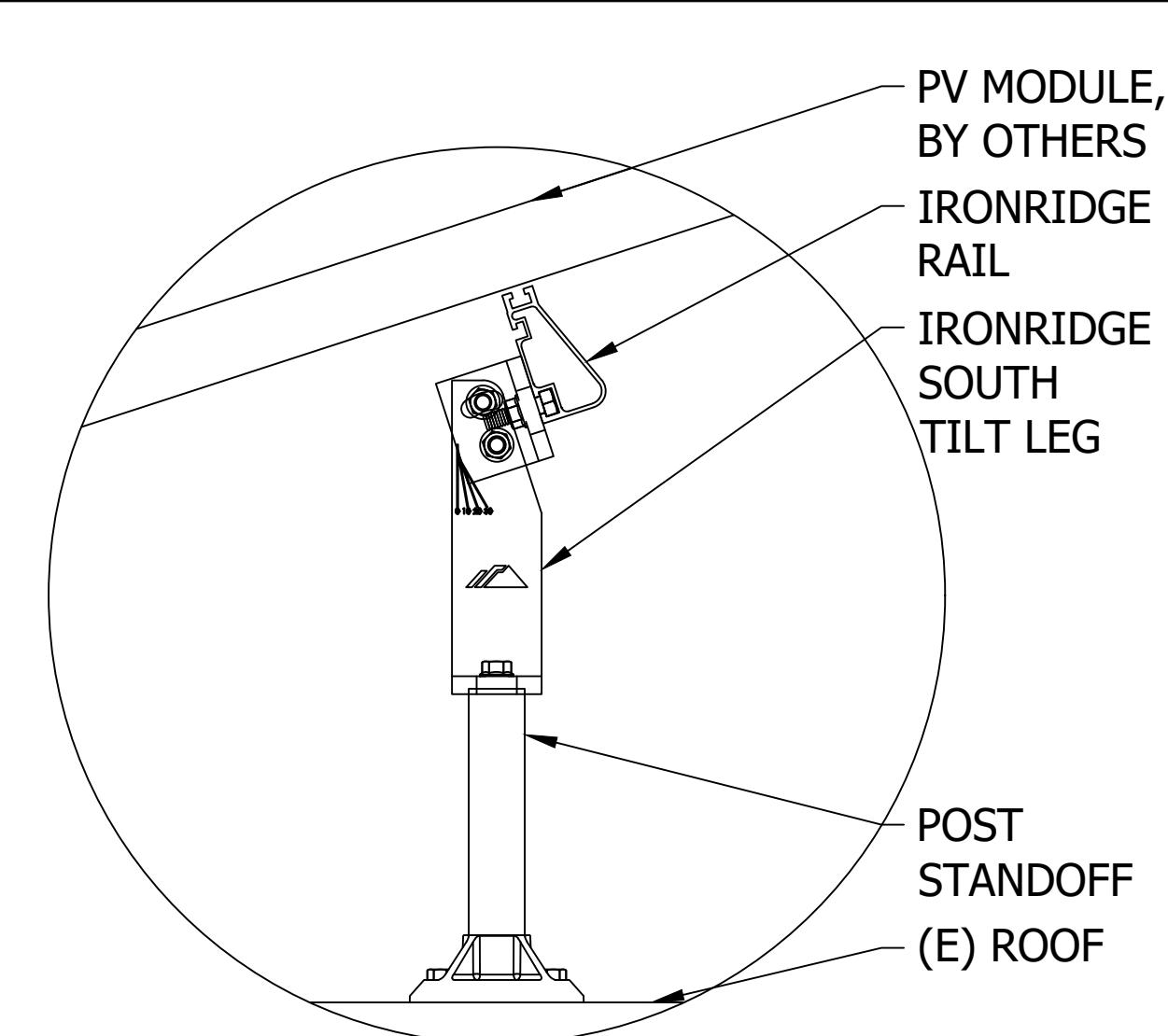
WIND SPEED, MPH	-
SNOW LOAD, PSF	-
EXPOSURE CAT	-
RISK CAT	60-CELL, GENERIC
MODULE TYPE	-
MODULE W/DC	-
MODULE QTY	-

APPROVAL STATUS

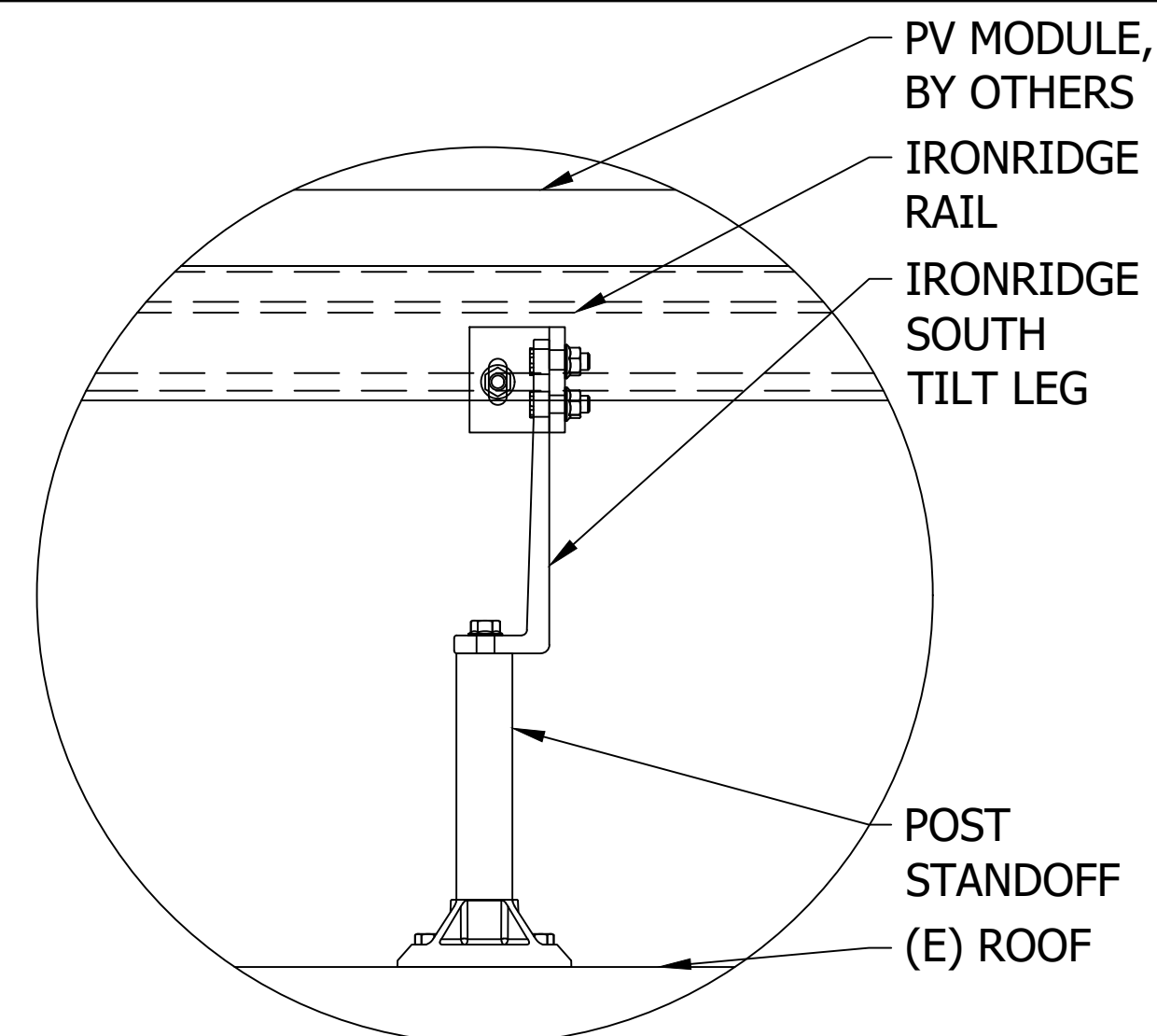
NOT FOR CONSTRUCTION

REV	DESCRIPTION	DATE

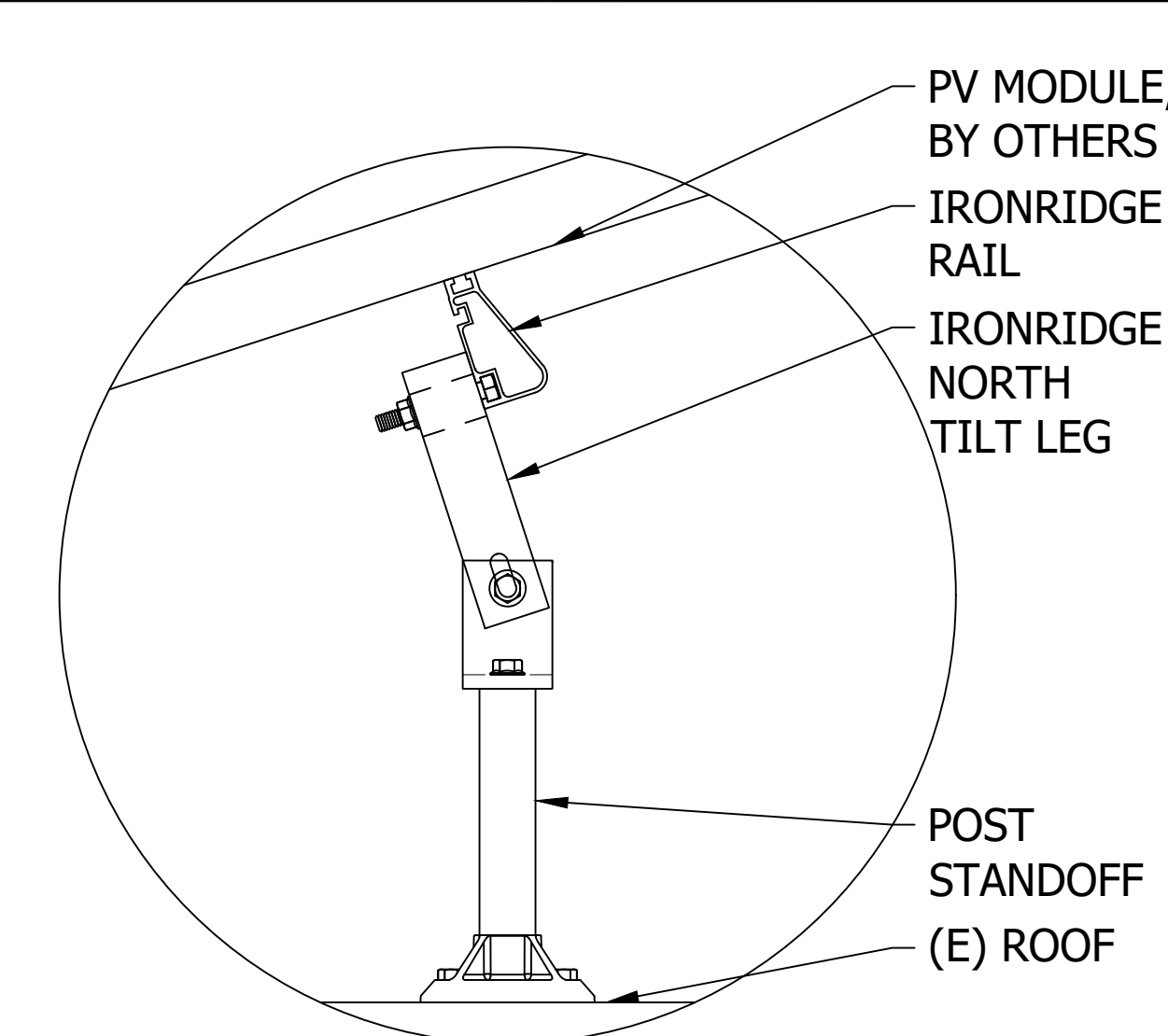
SHEET NAME	
FLAT ROOF PV SYSTEM DETAILS: QUICKMOUNT	
JOB NO.	3.0 FR
ISSUE DATE	XX FEB 2016
SHEET NO.	IR 1.1
SHEET SIZE	24X36



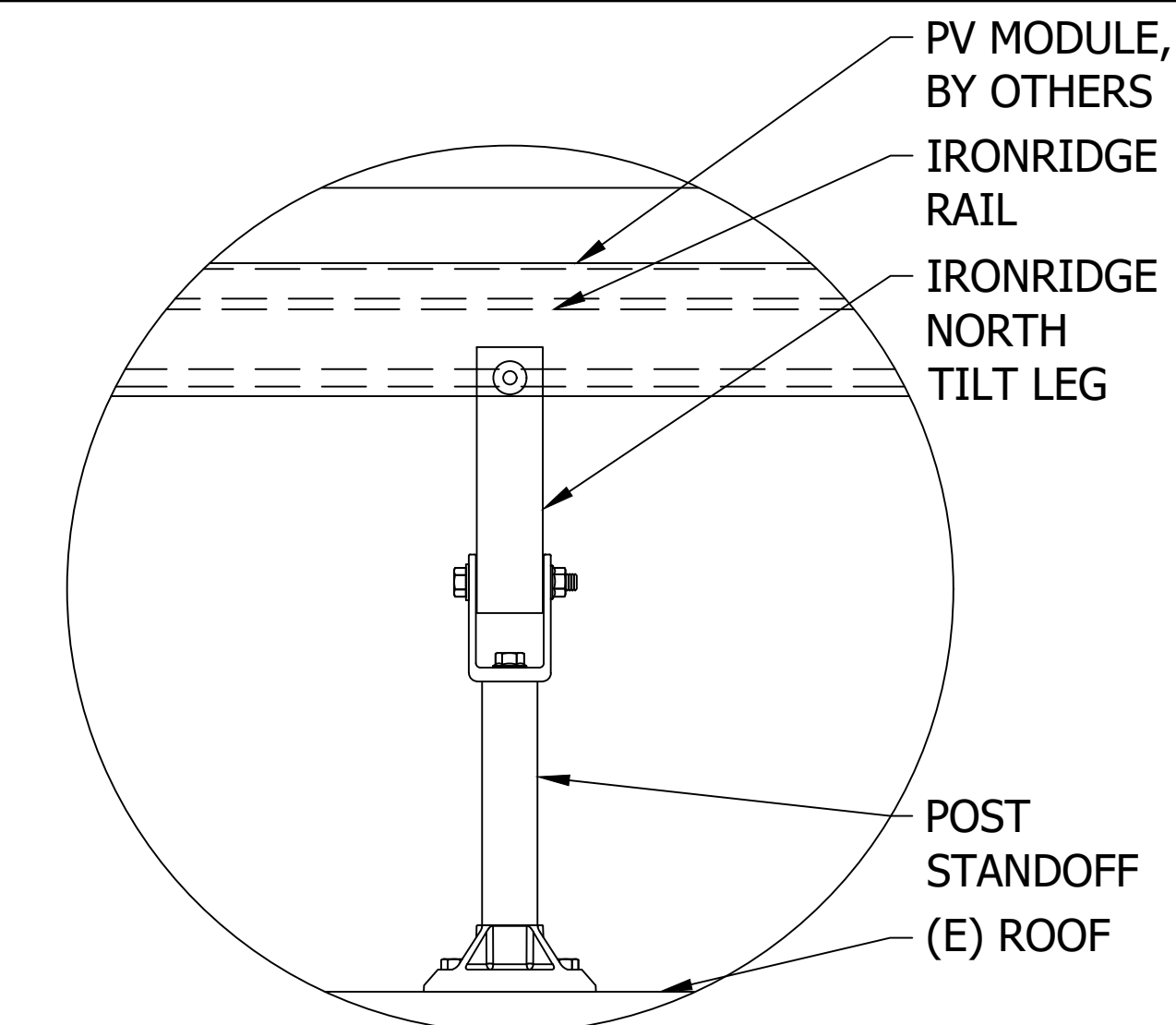
G STANDOFF DETAIL
Scale: 3"=1'-0"



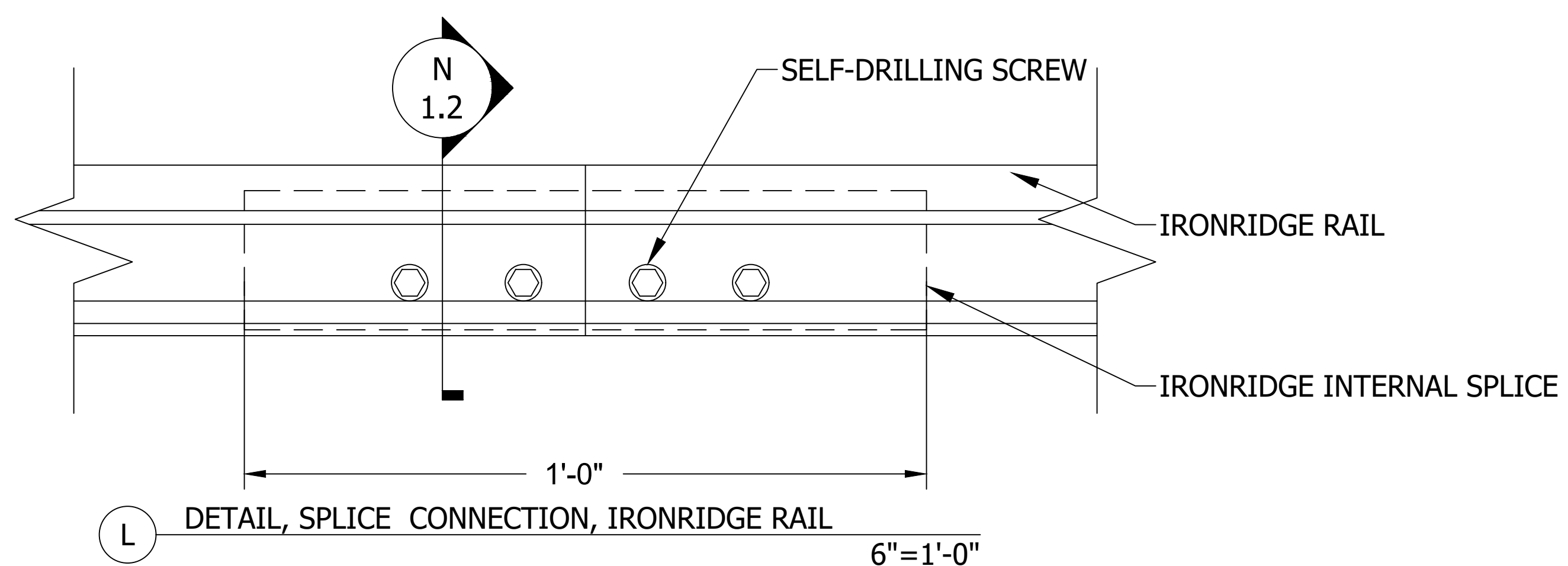
H STANDOFF DETAIL
Scale: 3"=1'-0"



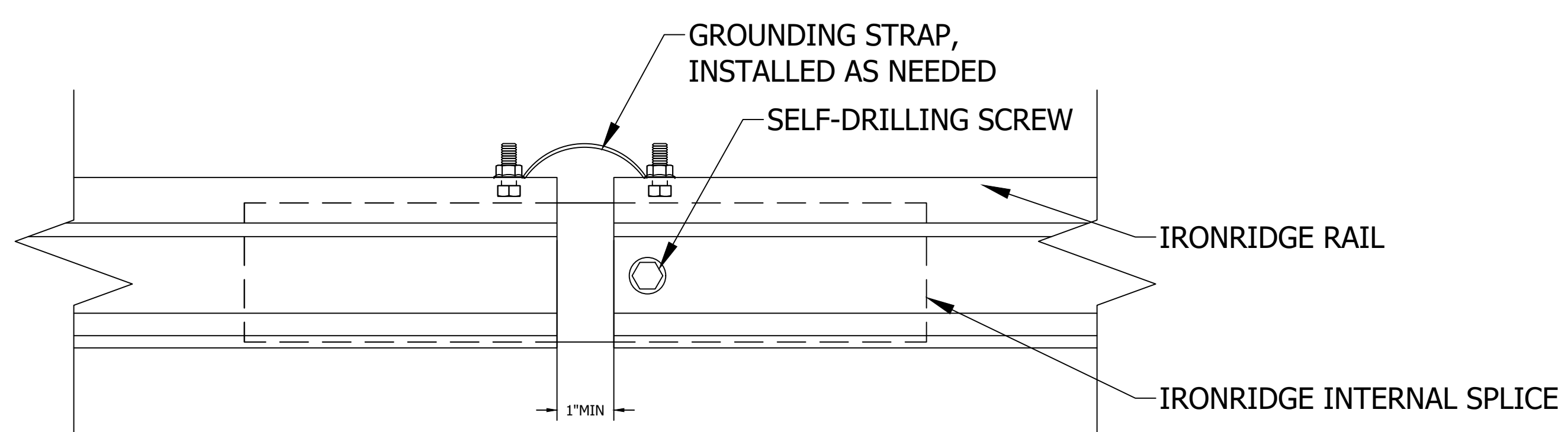
J STANDOFF DETAIL
Scale: 3"=1'-0"



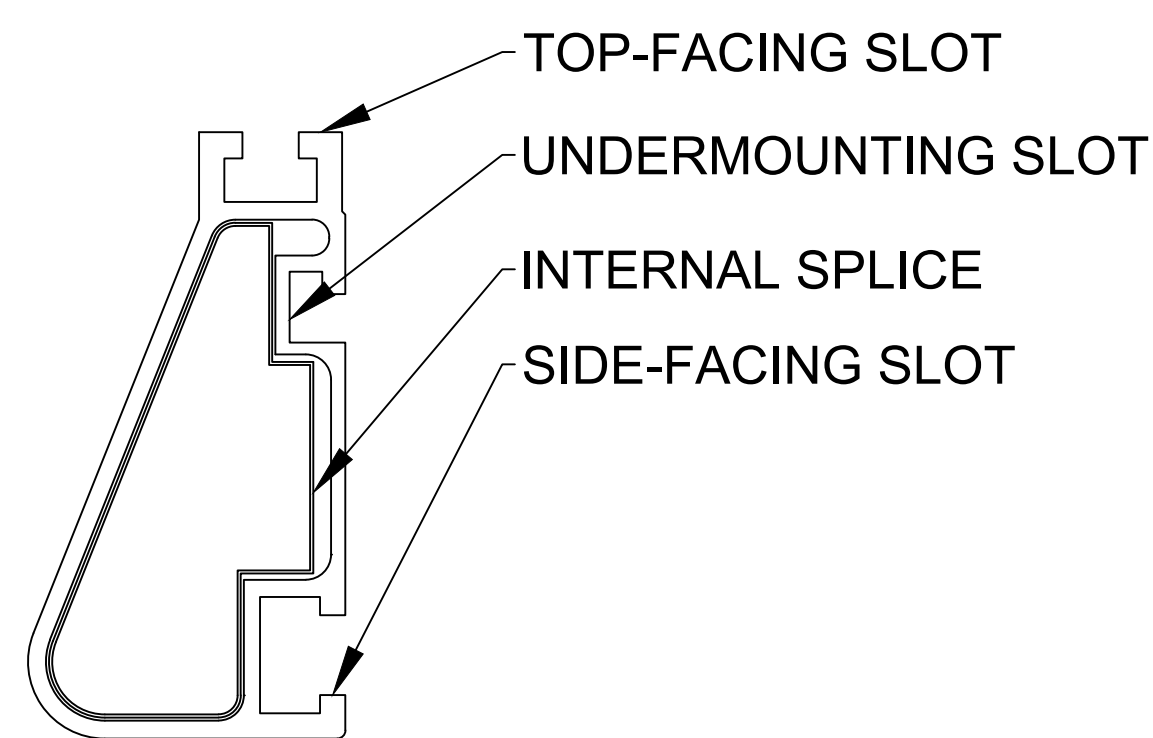
K STANDOFF DETAIL
Scale: 3"=1'-0"



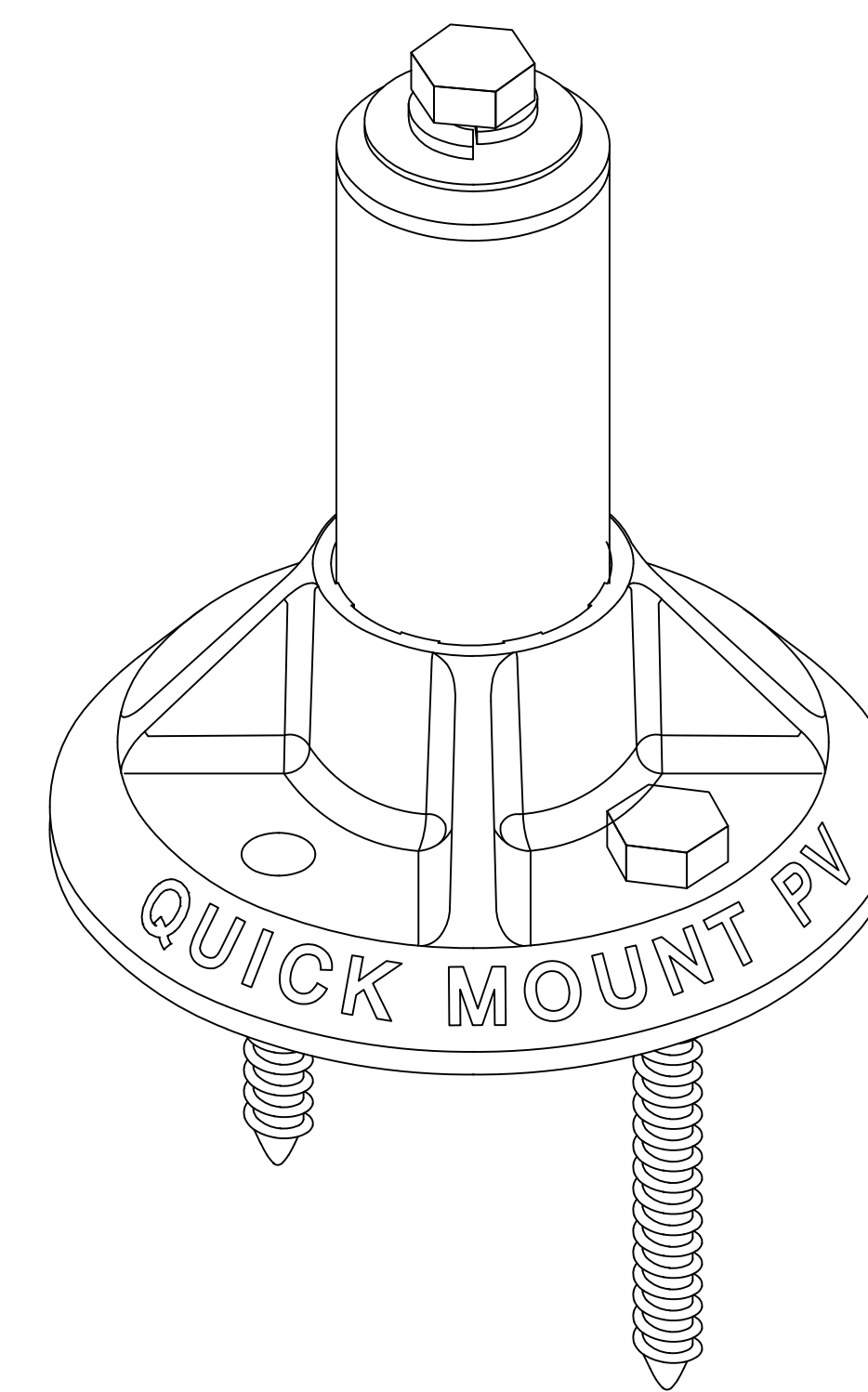
L DETAIL, SPLICE CONNECTION, IRONRIDGE RAIL
6"=1'-0"



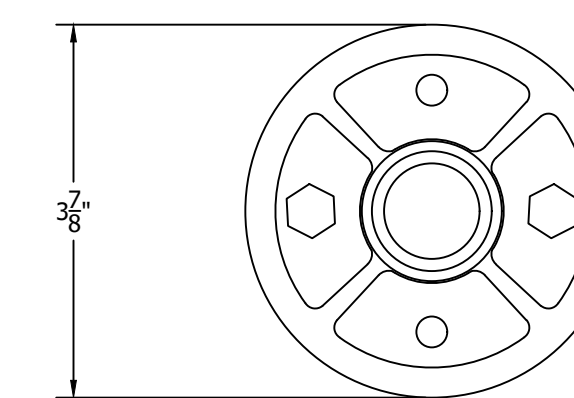
M DETAIL, EXPANSION JOINT CONNECTION, IRONRIDGE RAIL
6"=1'-0"



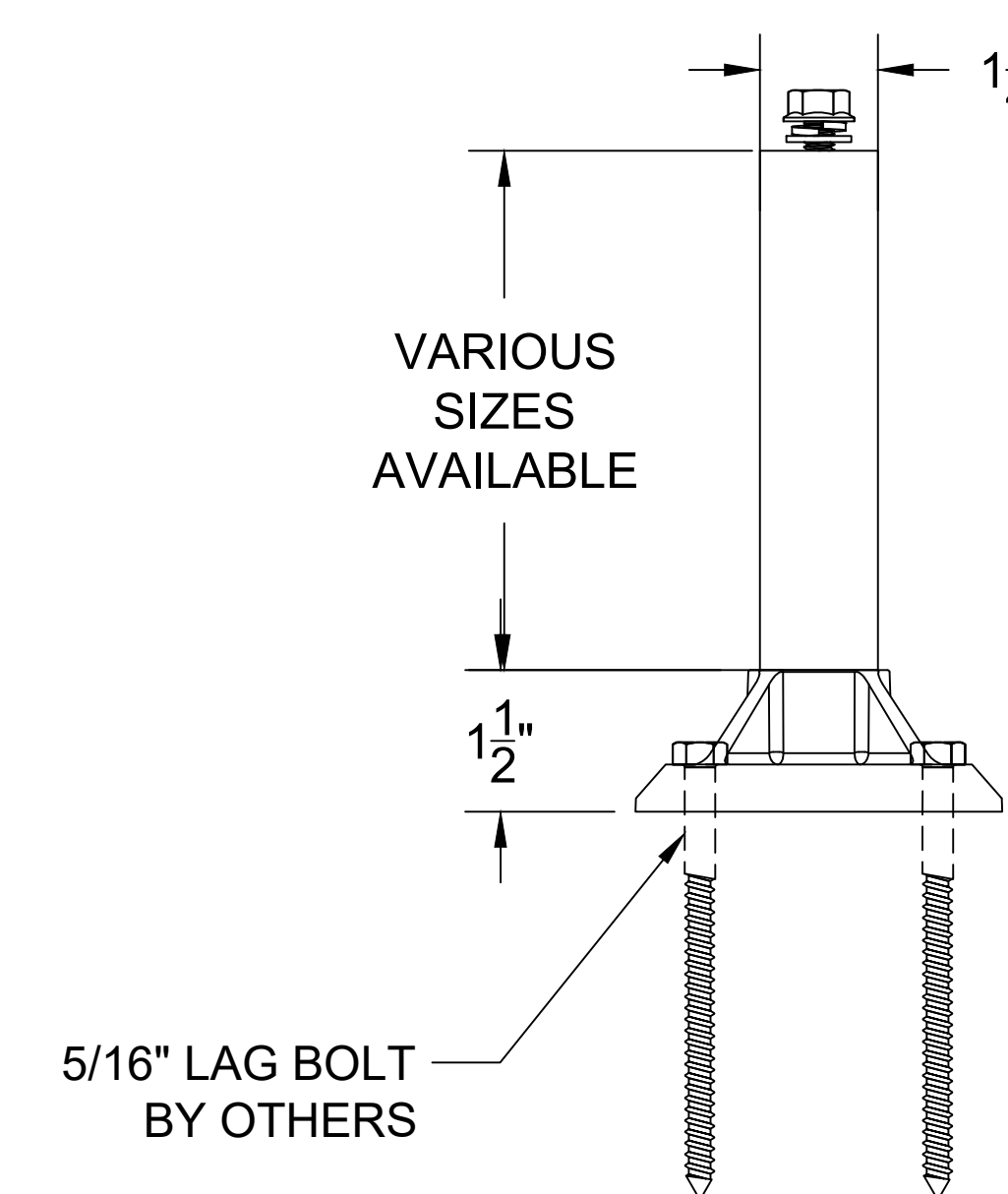
N DETAIL, INTERNAL SPLICE, IRONRIDGE RAIL
1'-0"=1'-0"



P QUICKMOUNT ALUMINUM STANDOFF



Q QUICKMOUNT ALUM. STANDOFF, PLAN VIEW



R QUICKMOUNT ALUM. STANDOFF, SIDE VIEW

IRONRIDGE	FLAT ROOF MOUNT SYSTEM
CLIENT NAME	PROJECT NAME
	PROJECT ADDRESS
	SYSTEM KW DC

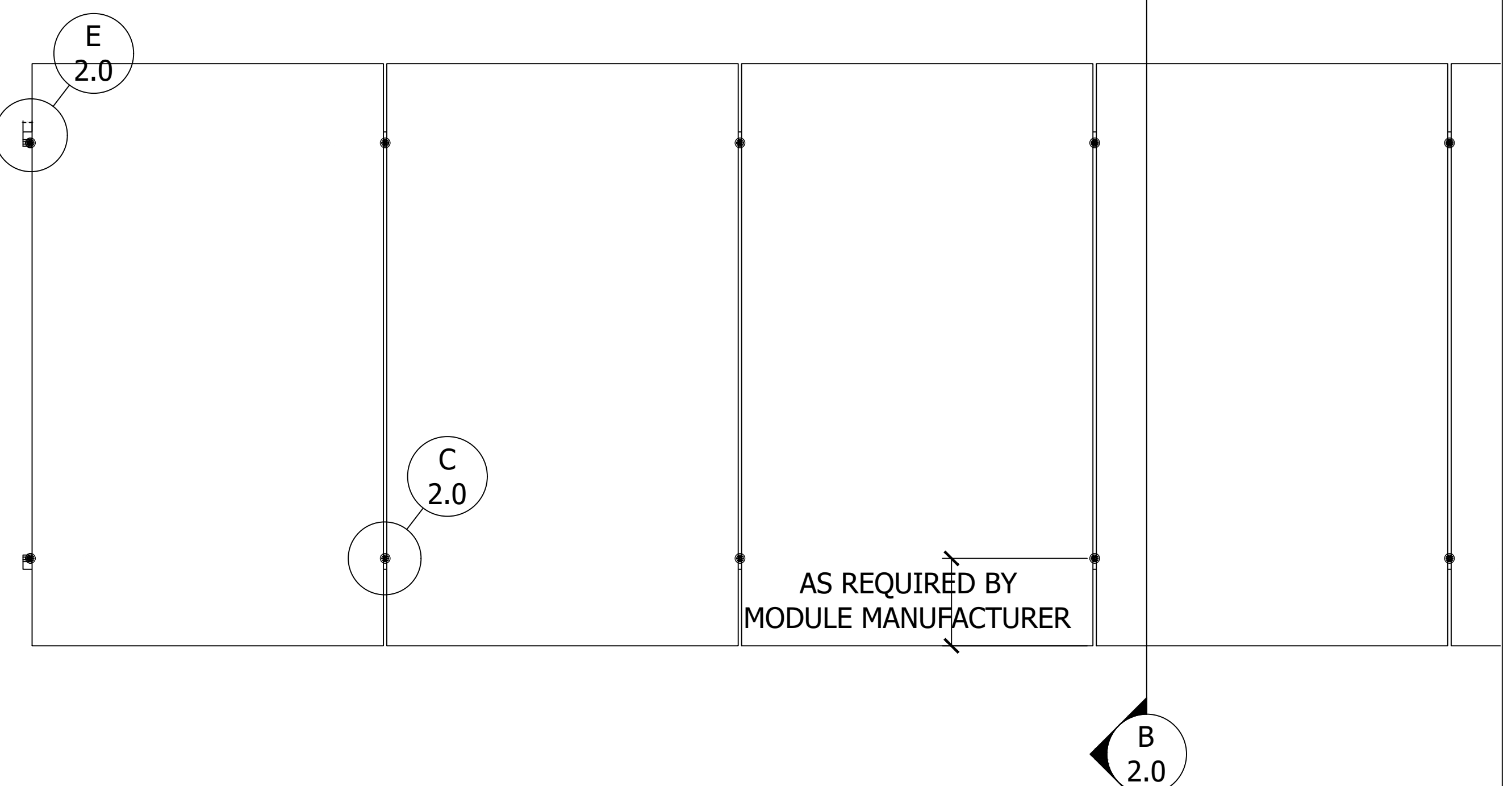
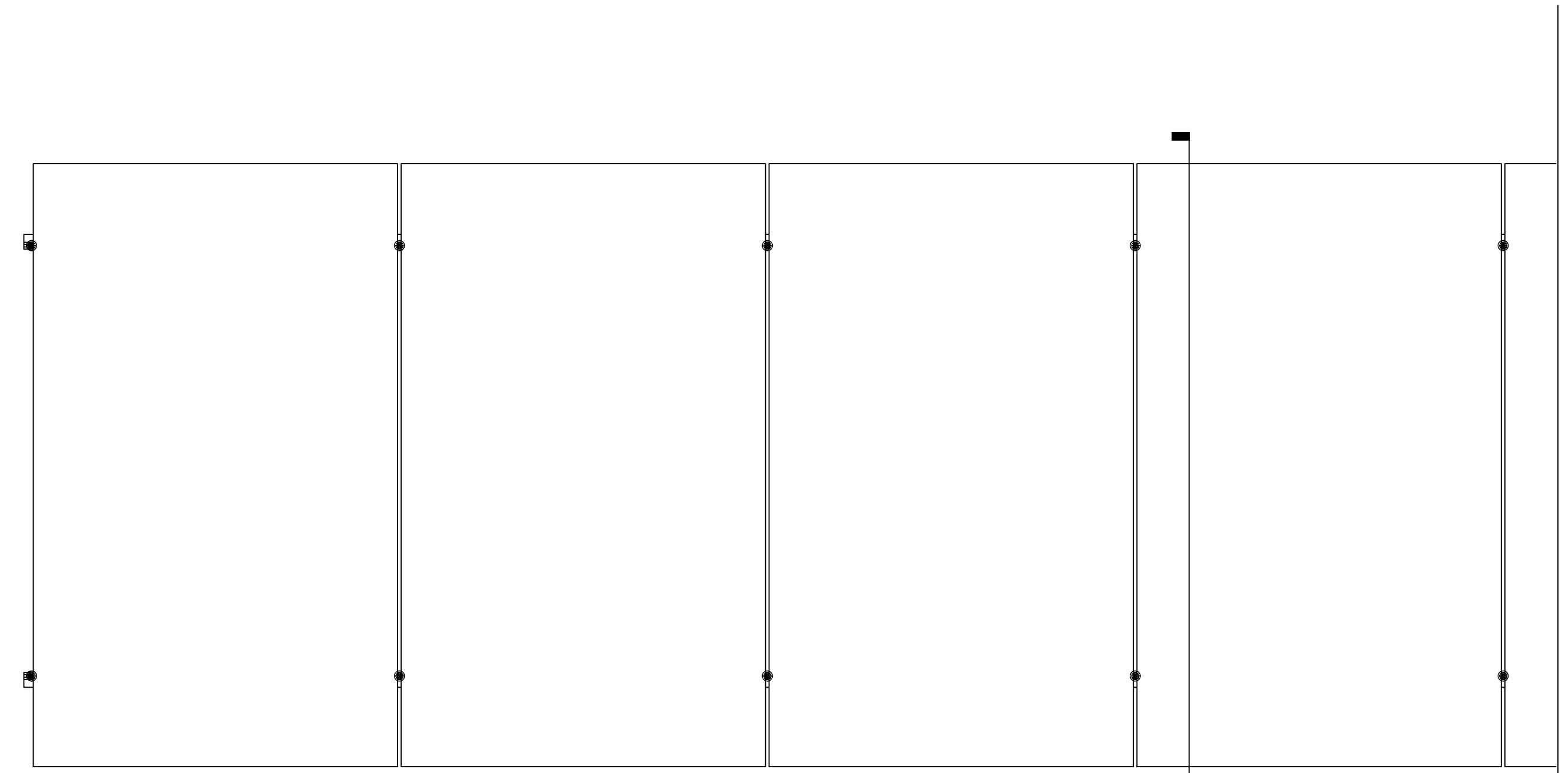
WIND SPEED, MPH	SNOW LOAD, PSF	EXPOSURE CAT	RISK CAT	MODULE TYPE	MODULE W DC	MODULE QTY
				60-CELL, GENERIC		

APPROVAL STATUS

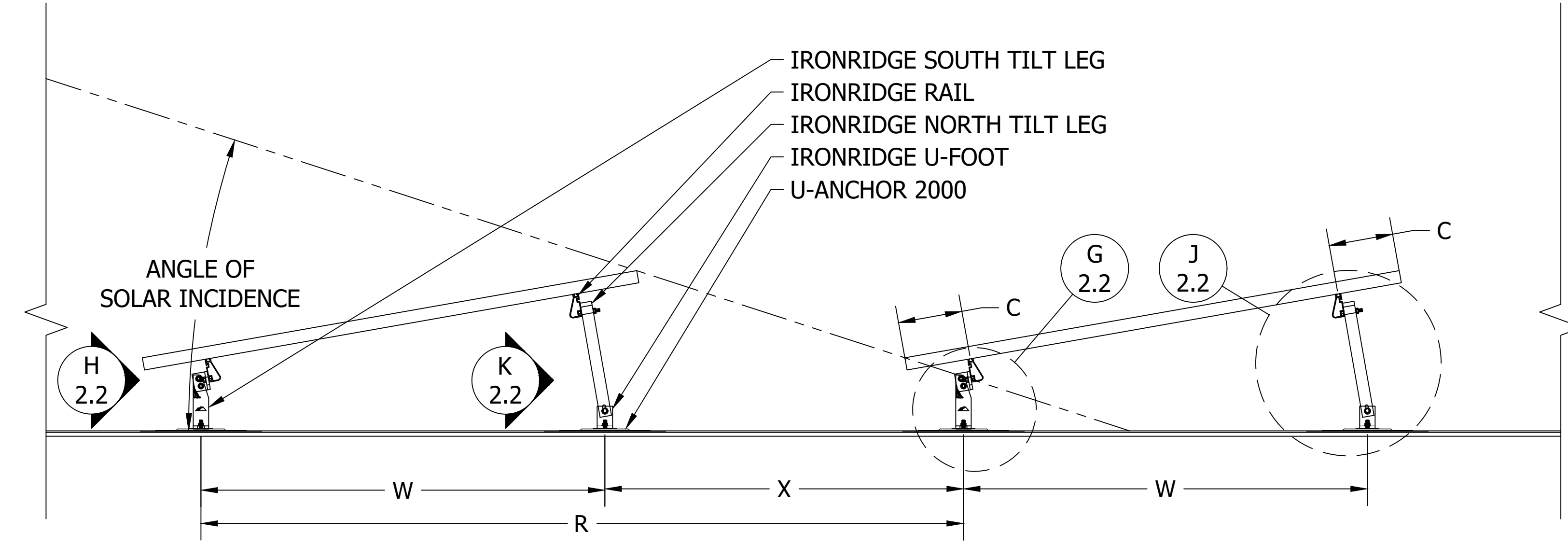
NOT FOR CONSTRUCTION

REV	DESCRIPTION	DATE

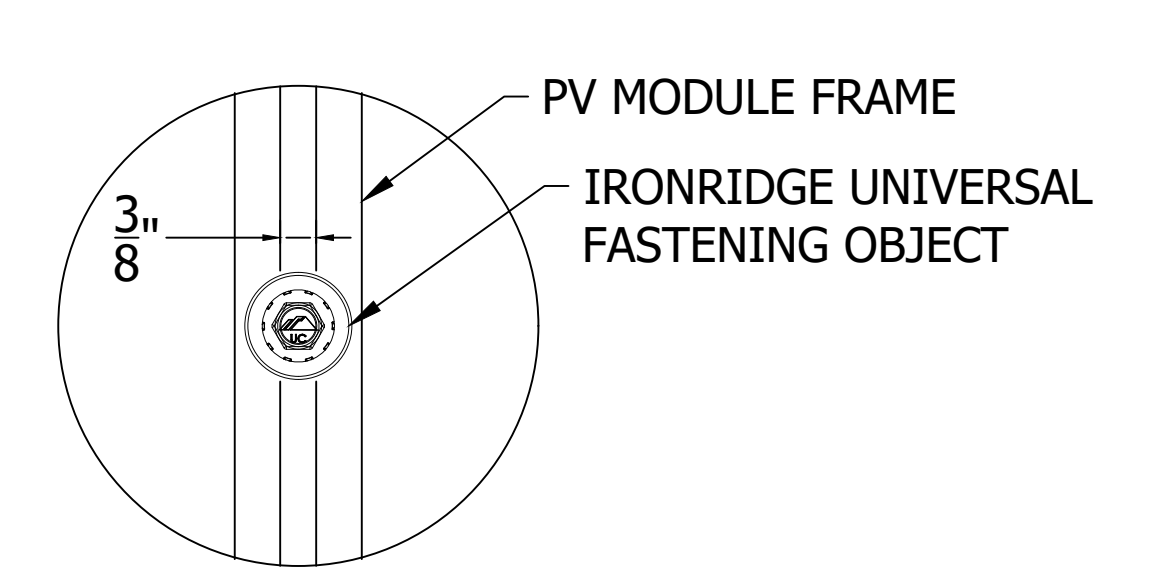
SHEET NAME	
FLAT ROOF COMPONENT DETAILS: QUICKMOUNT	
JOB NO.	3.0 FR
ISSUE DATE	XX FEB 2016
SHEET NO.	IR 1.2
SHEET SIZE	24X36



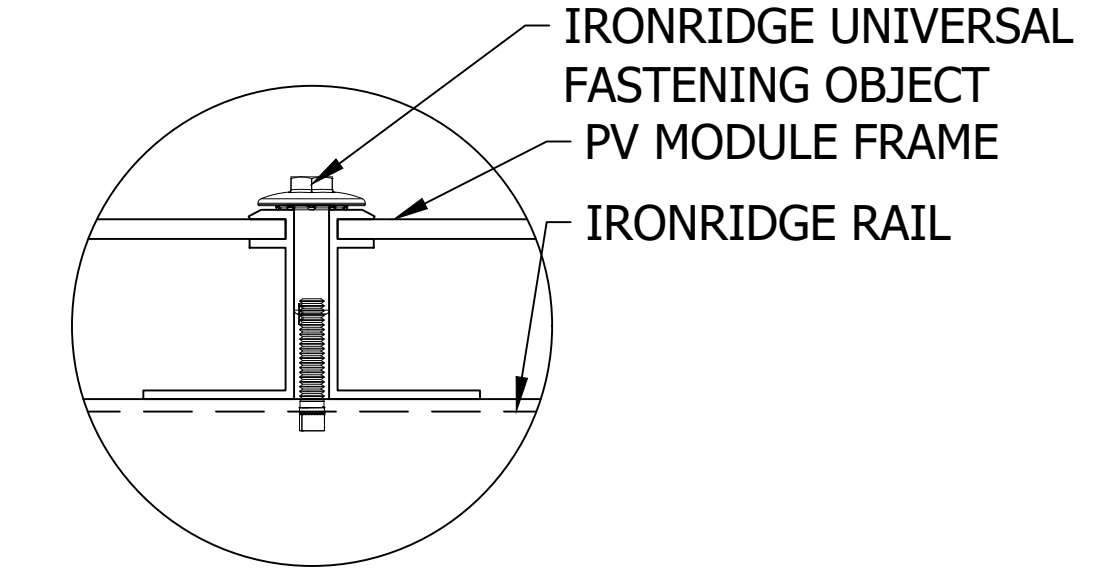
A PLAN VIEW, U-ANCHOR 2000, PORTRAIT MODULE
Scale: 1"=1'-0"



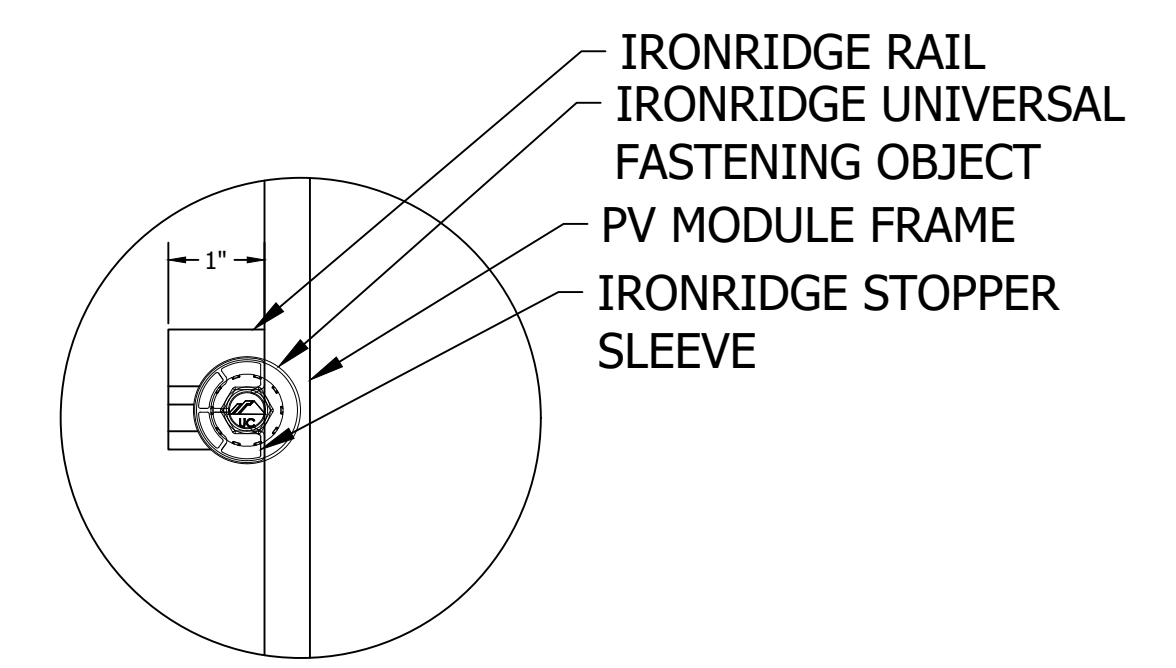
B SIDE VIEW, U-ANCHOR 2000, PORTRAIT MODULE
Scale: 1"=1'-0"



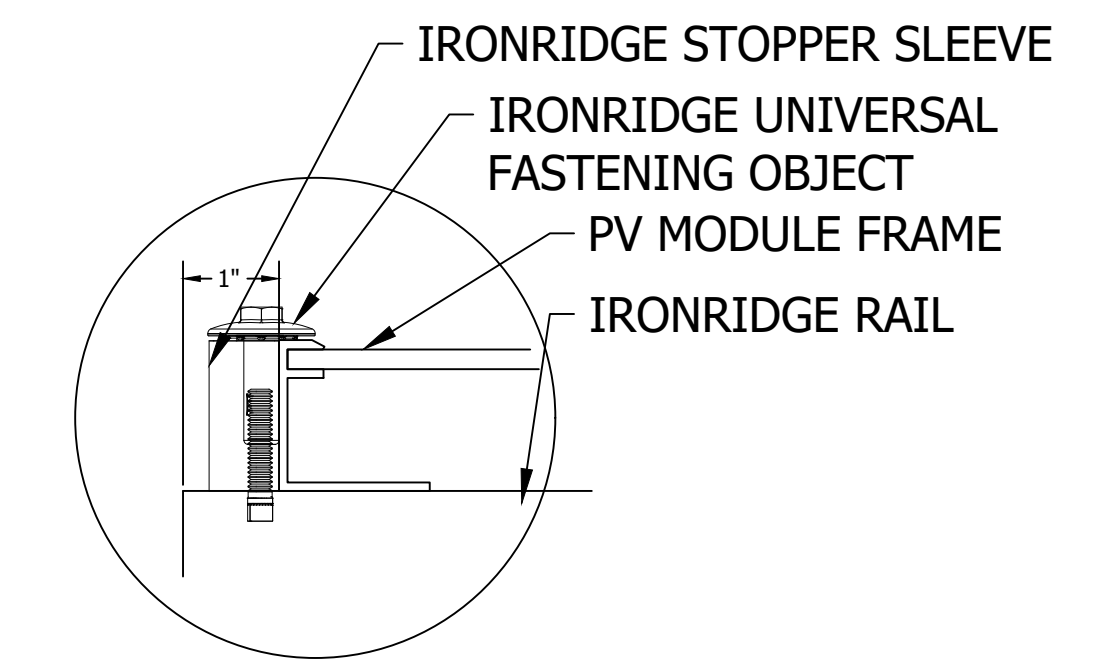
C DETAIL, MID CLAMP PLAN
Scale: 6"=1'-0"



D DETAIL, MID CLAMP FRONT
Scale: 6"=1'-0"



E DETAIL, END CLAMP PLAN
Scale: 6"=1'-0"



F DETAIL, END CLAMP FRONT
Scale: 6"=1'-0"

CLIENT NAME	IRONRIDGE
PROJECT NAME	FLAT ROOF MOUNT SYSTEM
PROJECT ADDRESS	
SYSTEM KW/DC	

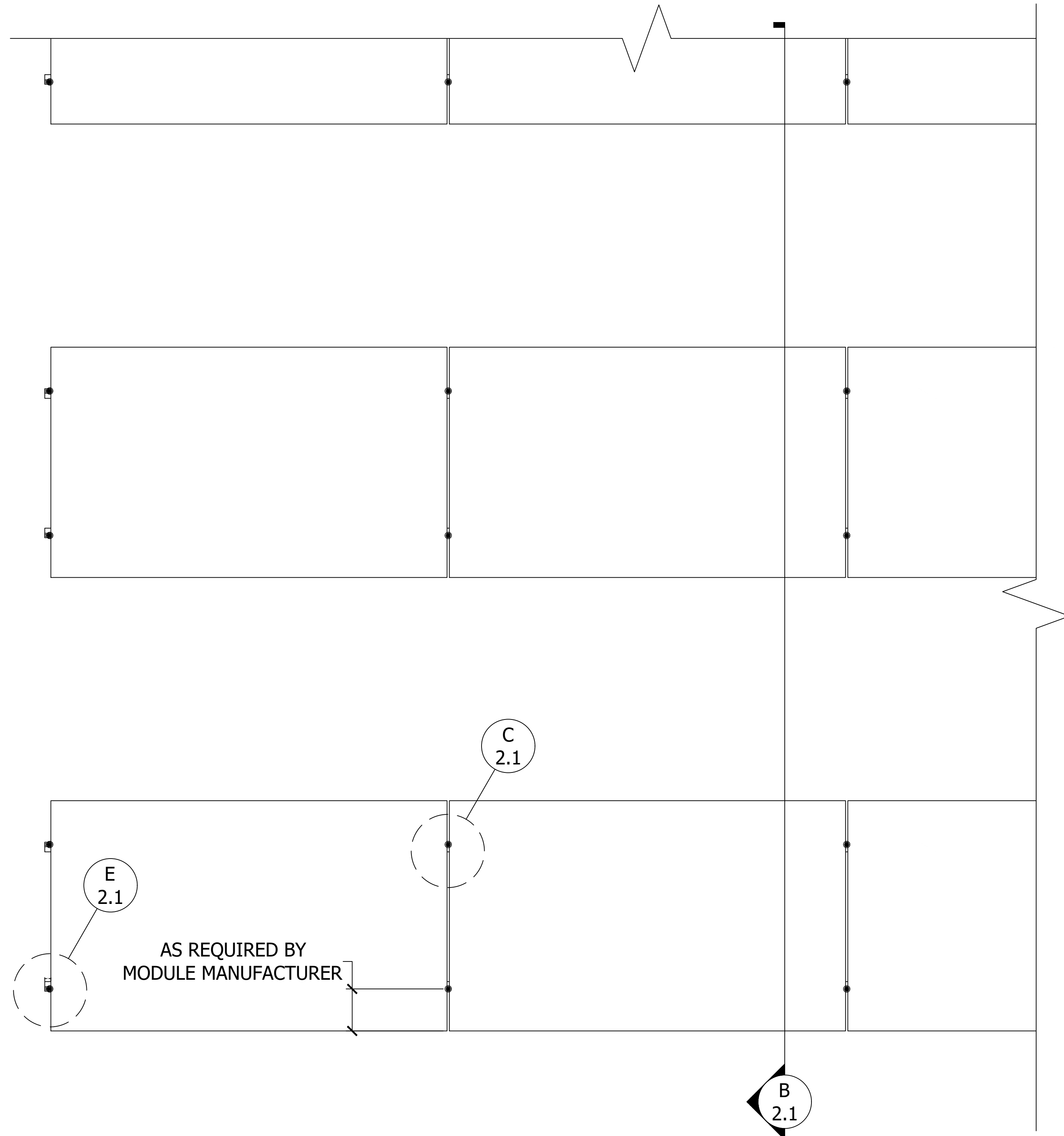
WIND SPEED, MPH	
SNOW LOAD, PSF	
EXPOSURE CAT	
RISK CAT	
MODULE TYPE	60-CELL, GENERIC
MODULE W/DC	
MODULE QTY	

APPROVAL STATUS

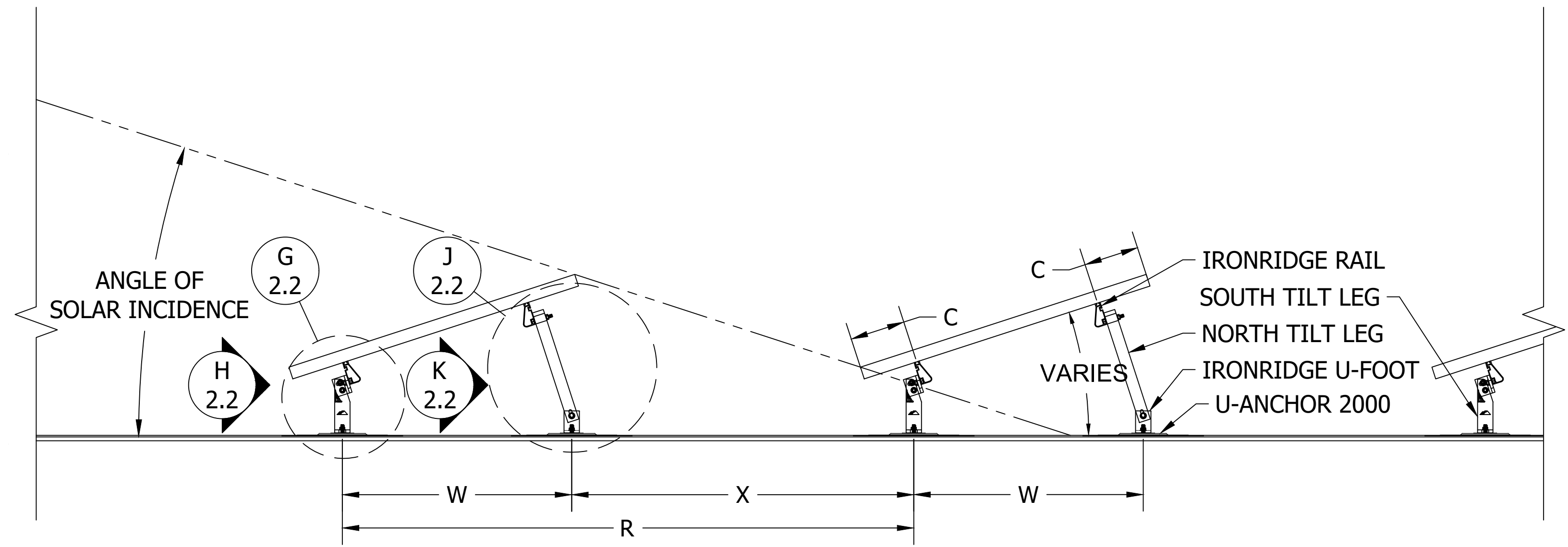
NOT FOR CONSTRUCTION

REV	DESCRIPTION	DATE

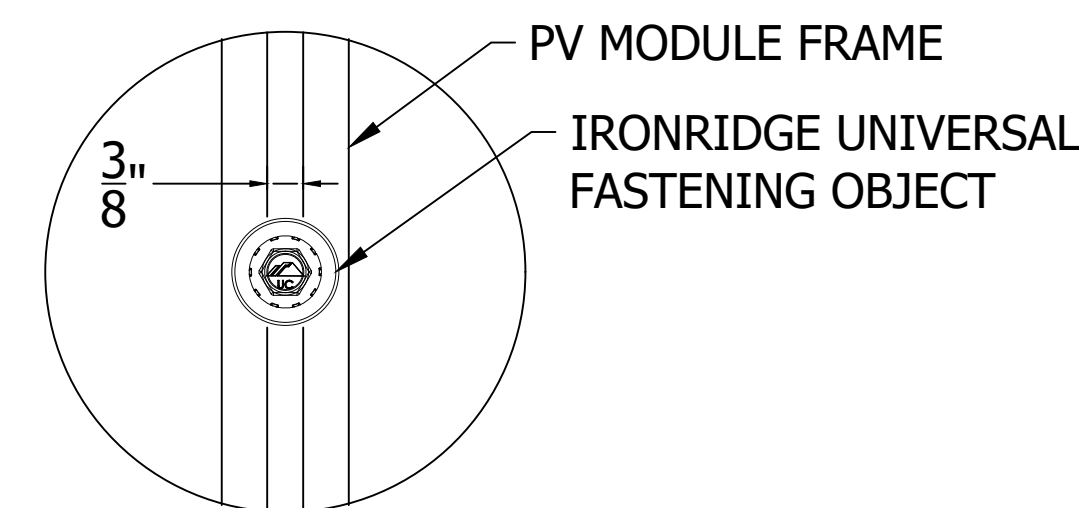
SHEET NAME	
FLAT ROOF PV SYSTEM	
DETAILS:	
U-ANCHOR 2000	
JOB NO.	3.0 FR
ISSUE DATE	XX FEB 2016
SHEET NO.	IR 2.0
SHEET SIZE	24X36



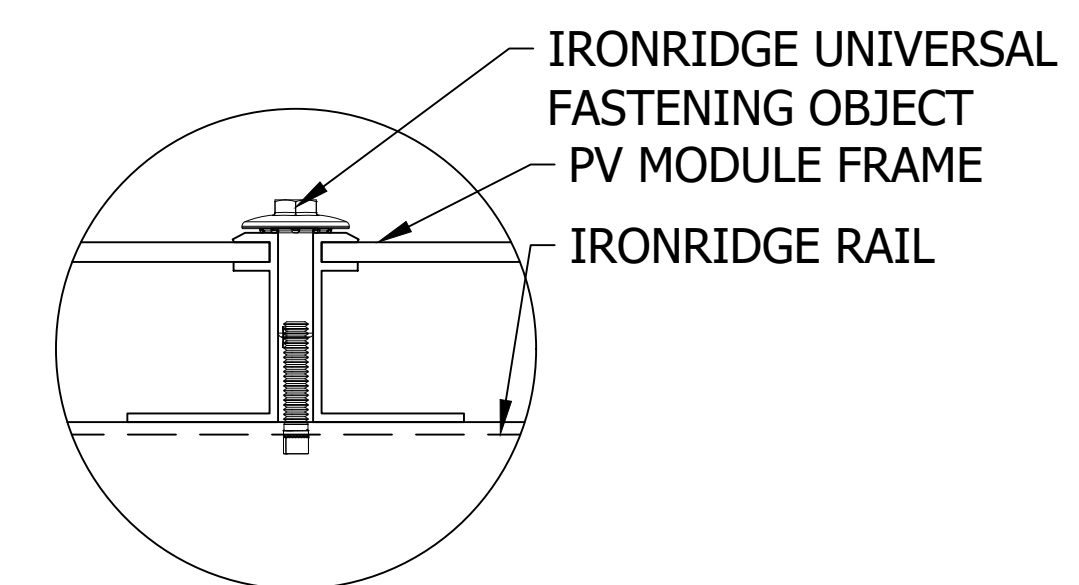
A PLAN VIEW, U-ANCHOR 2000, LANDSCAPE MODULE
Scale: 1"=1'-0"



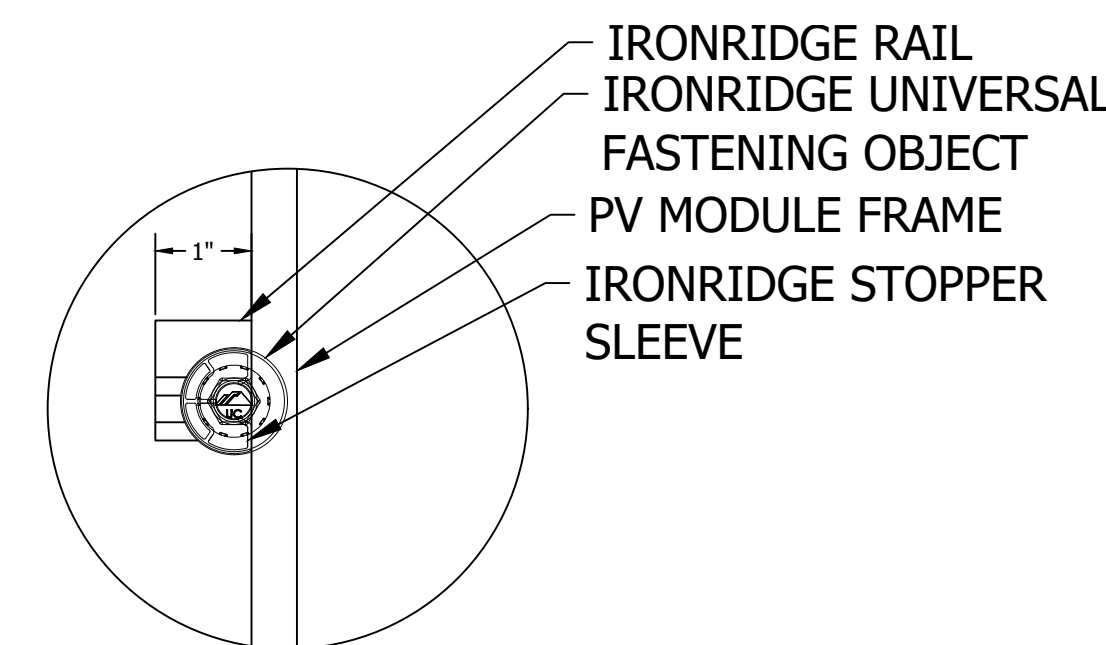
B SIDE VIEW, U-ANCHOR 2000, LANDSCAPE MODULE
Scale: 1"=1'-0"



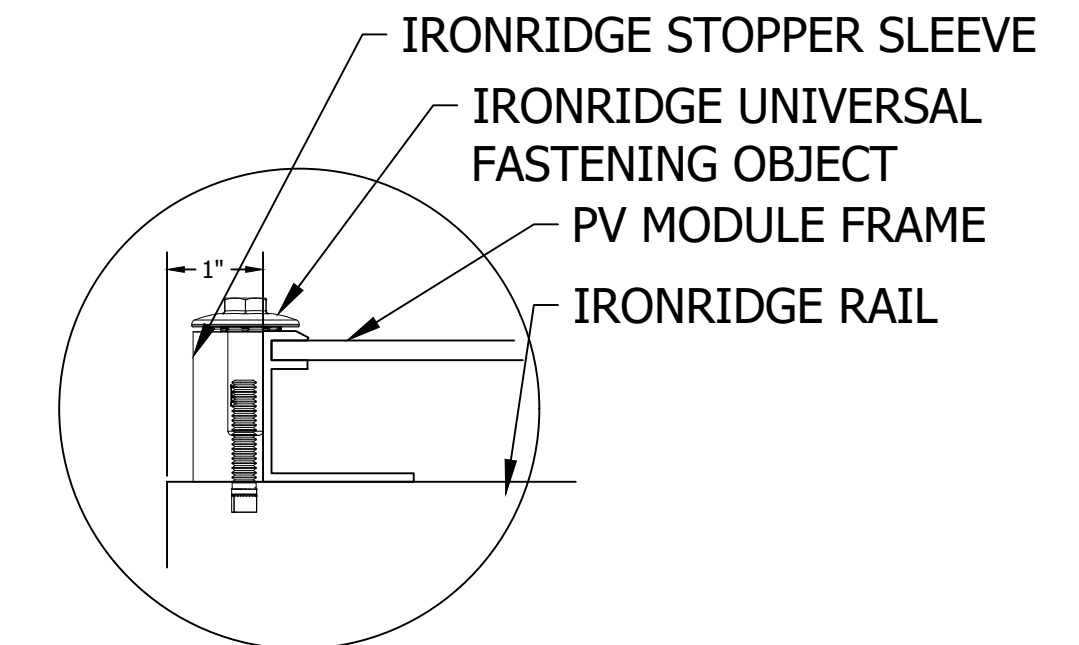
C DETAIL, MID CLAMP PLAN
Scale: 6"=1'-0"



D DETAIL, MID CLAMP FRONT
Scale: 6"=1'-0"



E DETAIL, END CLAMP PLAN
Scale: 6"=1'-0"



F DETAIL, END CLAMP FRONT
Scale: 6"=1'-0"

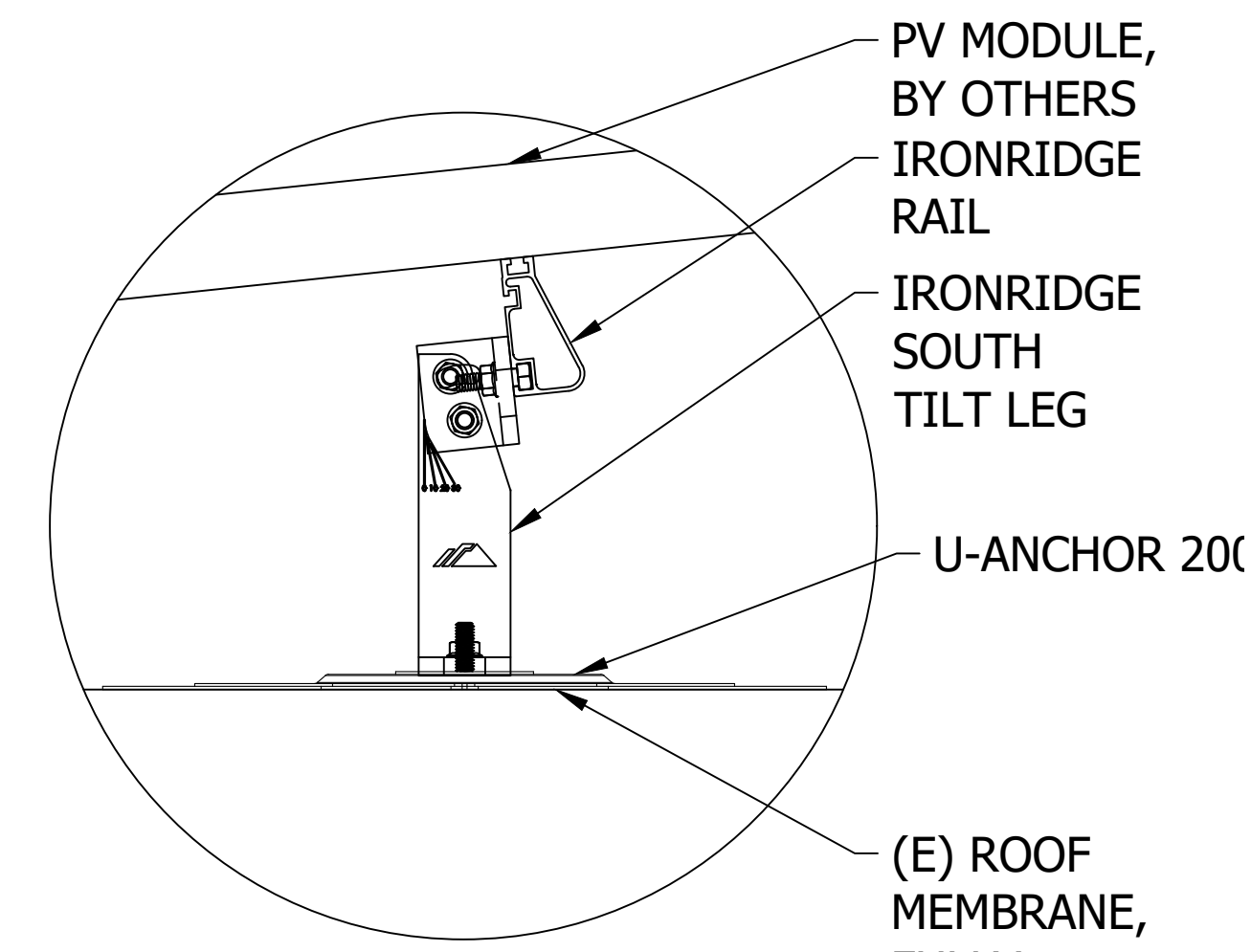
CLIENT NAME	IRONRIDGE
PROJECT NAME	FLAT ROOF MOUNT SYSTEM
PROJECT ADDRESS	
SYSTEM KW/DC	

WIND SPEED, MPH	-
SNOW LOAD, PSF	-
EXPOSURE CAT	-
RISK CAT	60-CELL, GENERIC
MODULE TYPE	-
MODULE W/DC	-
MODULE QTY	-

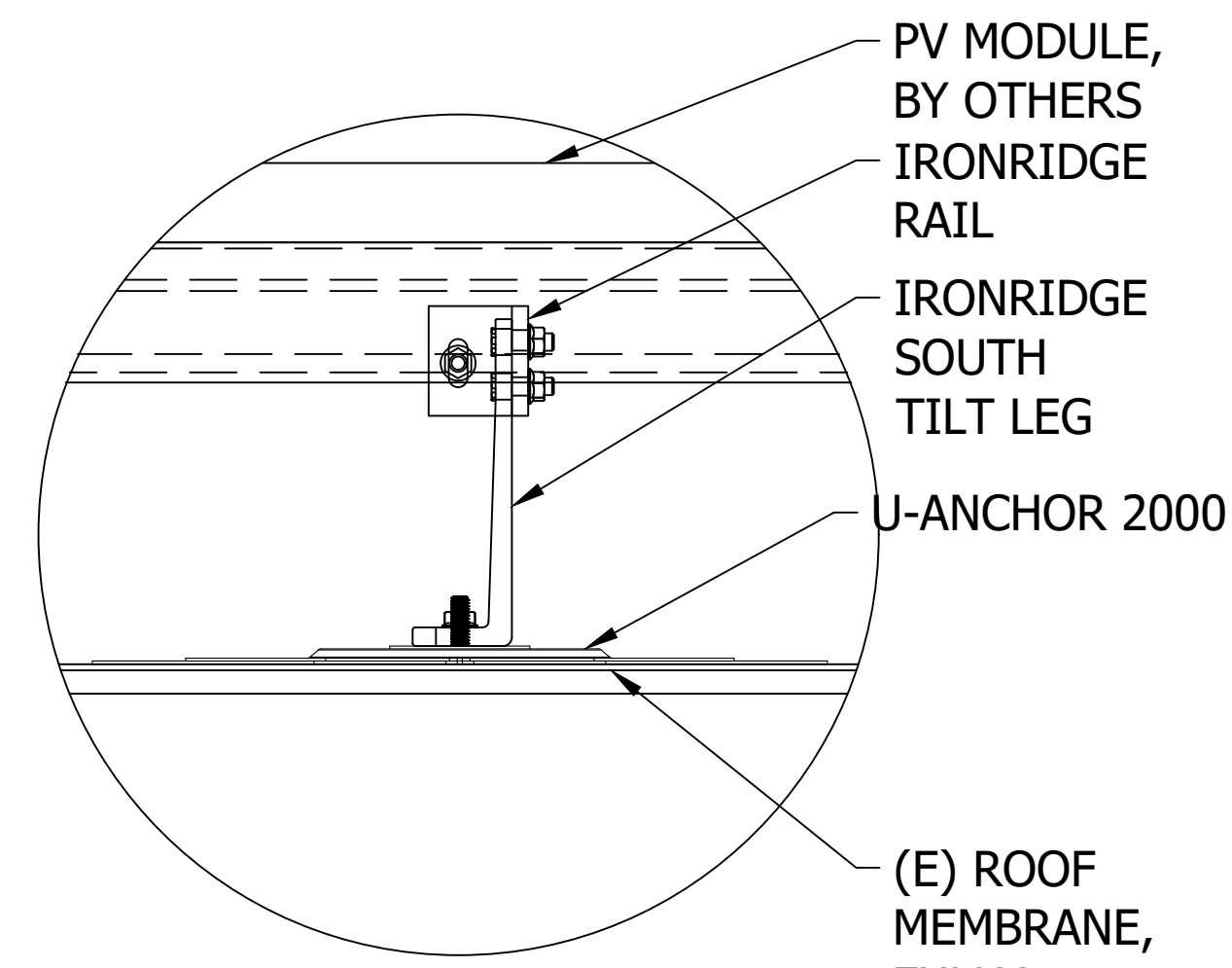
NOT FOR CONSTRUCTION

REV	DESCRIPTION	DATE

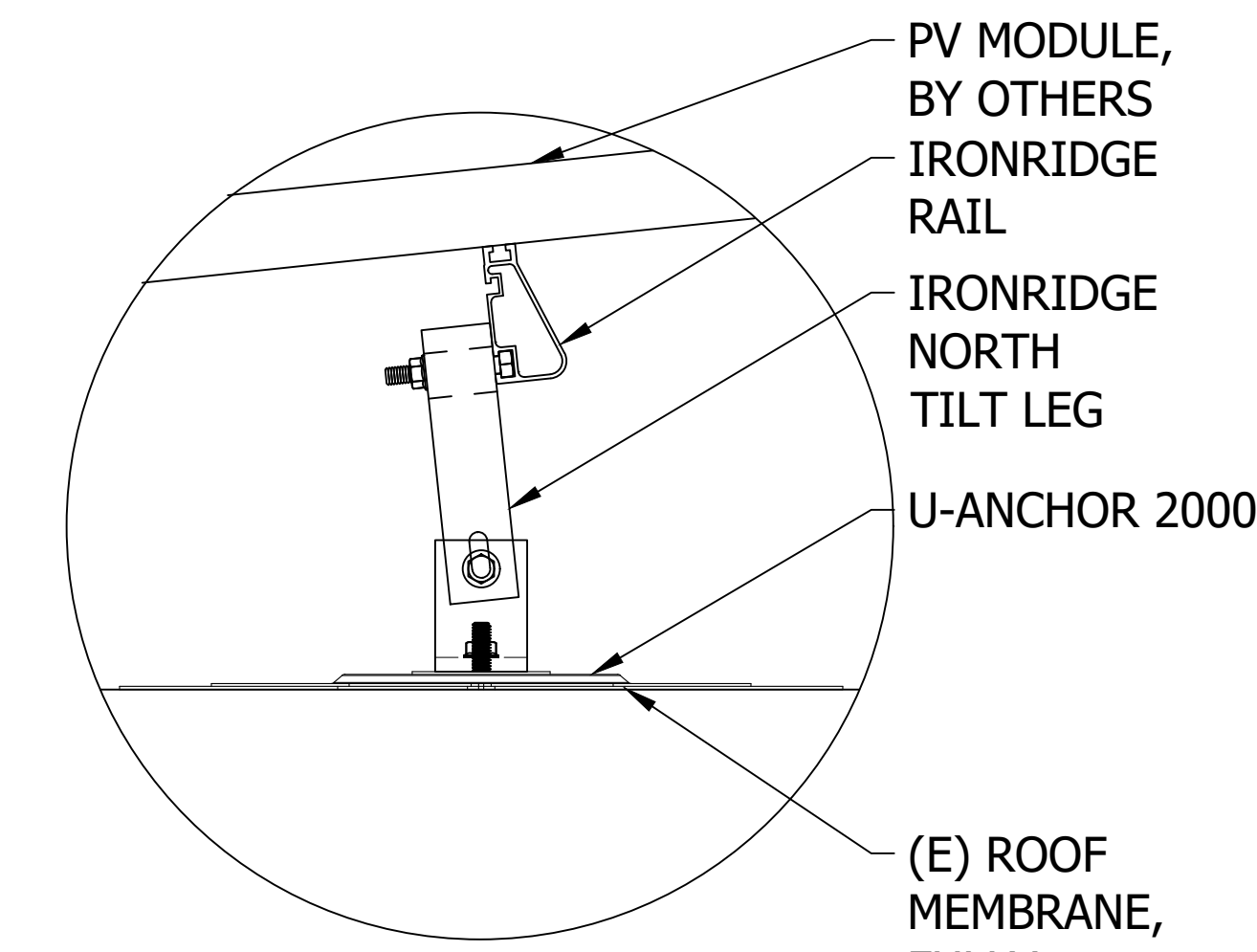
SHEET NAME	
FLAT ROOF PV SYSTEM	
DETAILS:	
U-ANCHOR 2000	
JOB NO.	3.0 FR
ISSUE DATE	XX FEB 2016
SHEET NO.	IR 2.1
SHEET SIZE	24X36



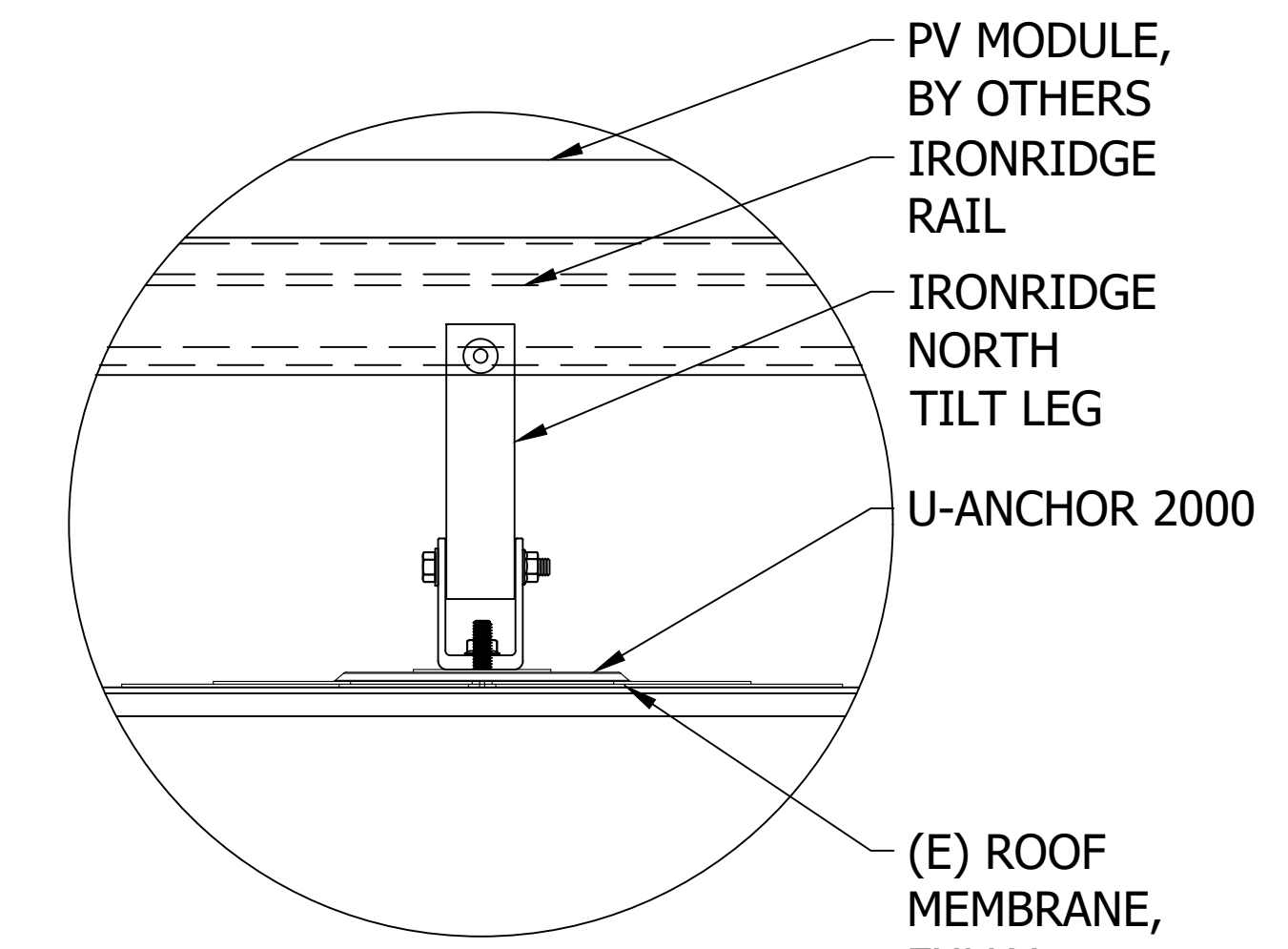
G STANDOFF DETAIL
Scale: 3"=1'-0"



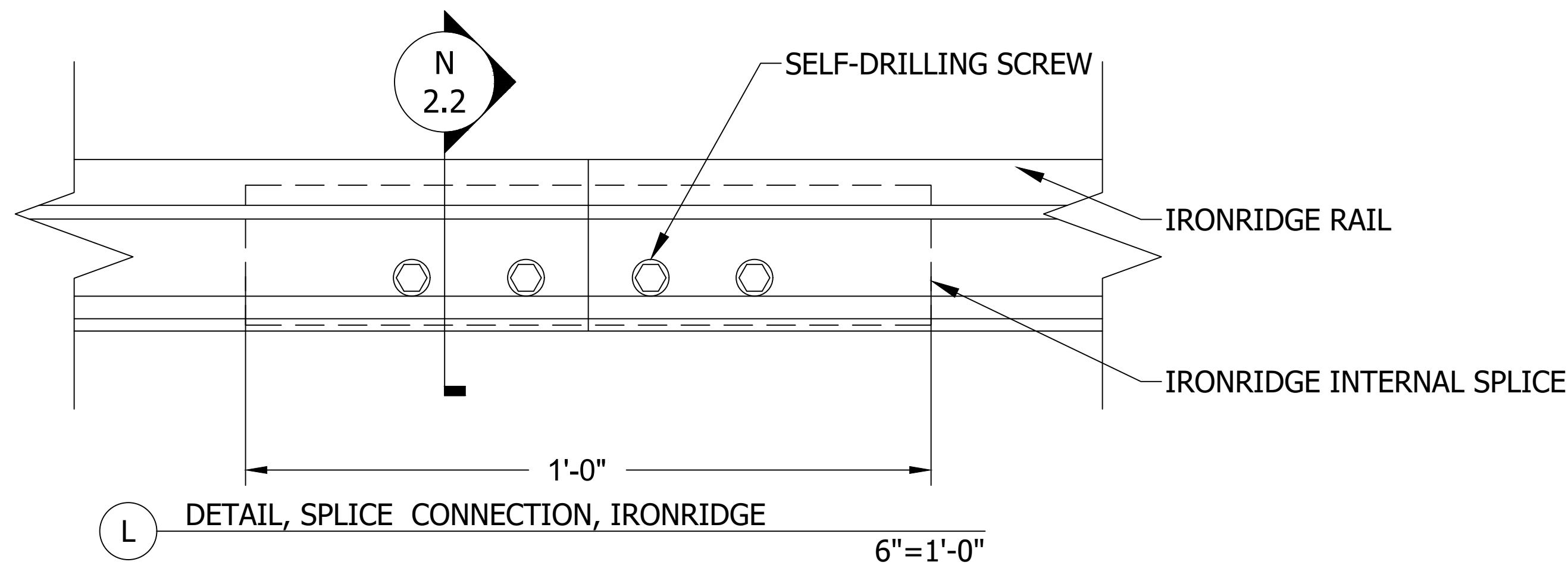
H STANDOFF DETAIL
Scale: 3"=1'-0"



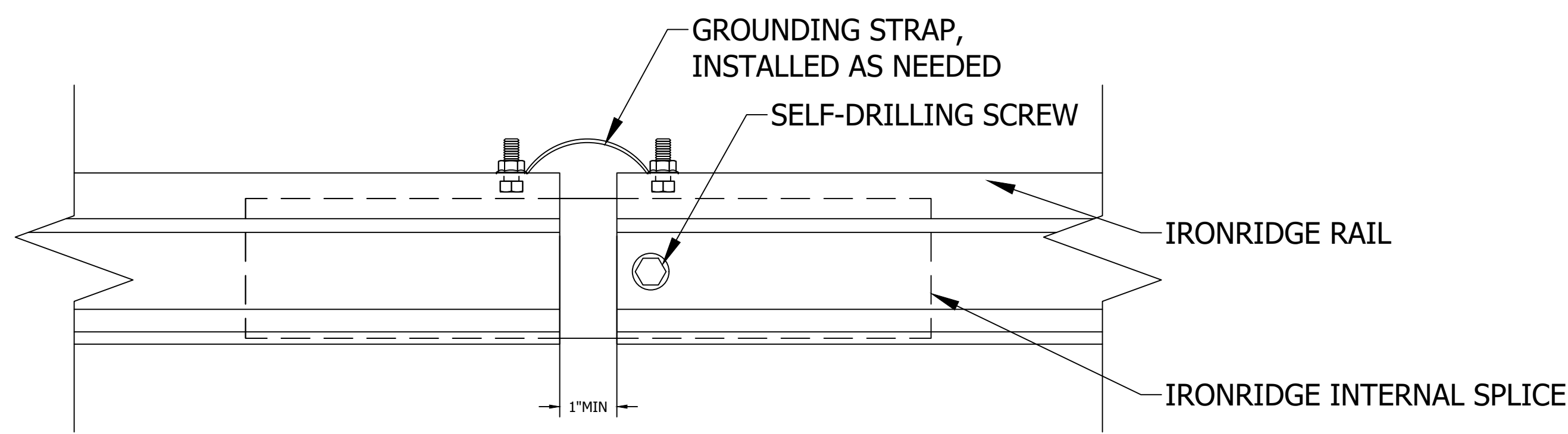
J STANDOFF DETAIL
Scale: 3"=1'-0"



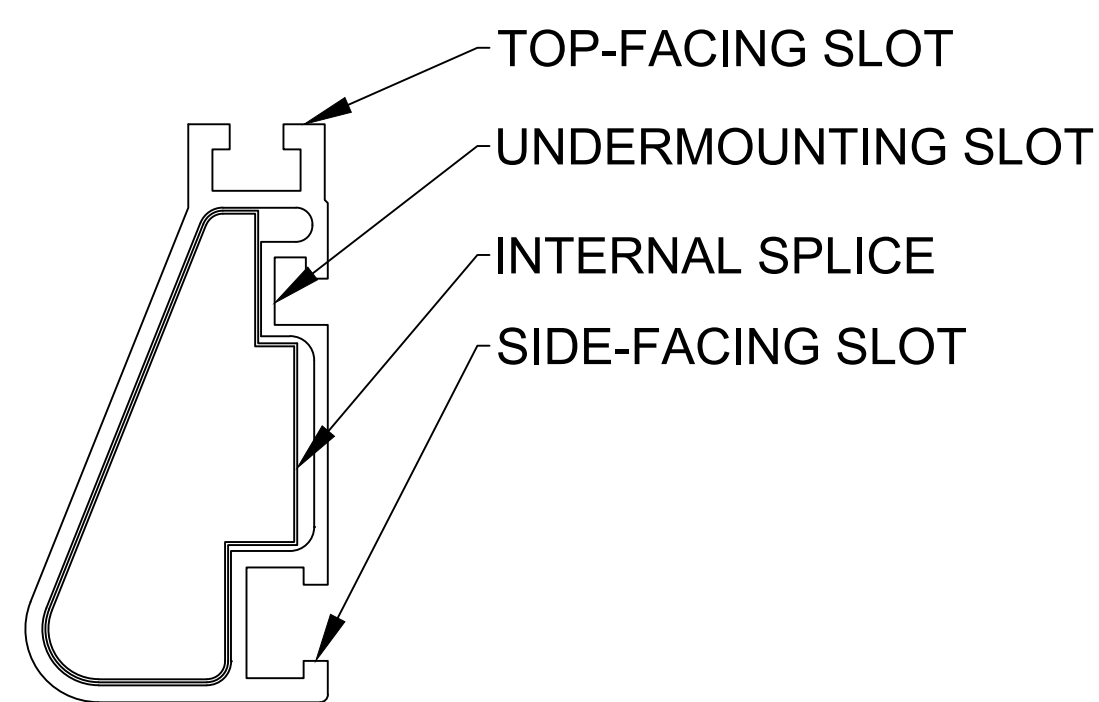
K STANDOFF DETAIL
Scale: 3"=1'-0"



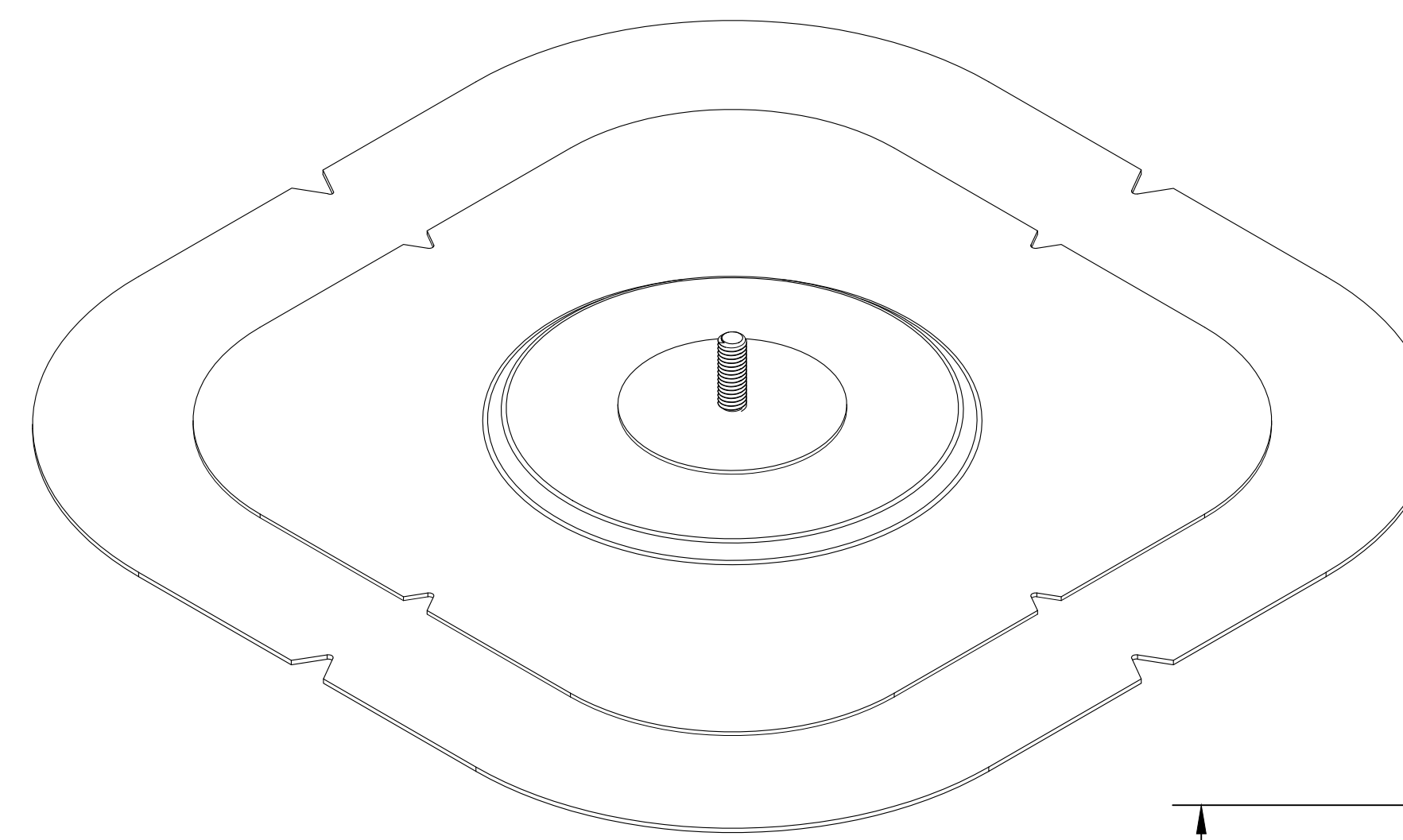
L DETAIL, SPLICE CONNECTION, IRONRIDGE



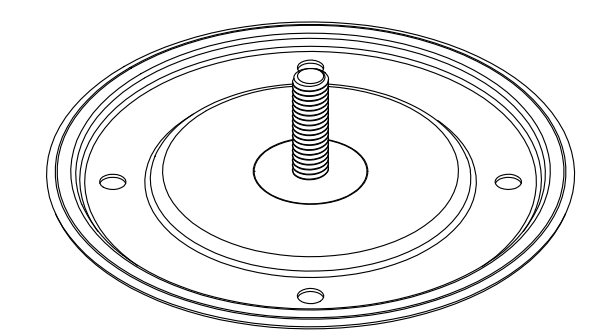
M DETAIL, EXPANSION JOINT CONNECTION, IRONRIDGE RAIL
6"=1'-0"



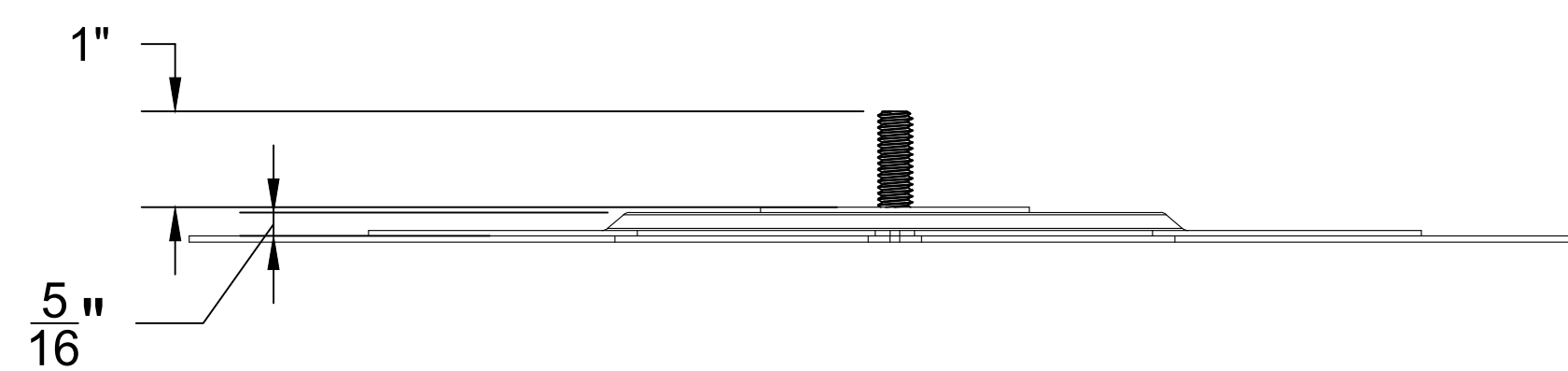
N DETAIL, INTERNAL SPLICE, IRONRIDGE RAIL
1'-0"=1'-0"



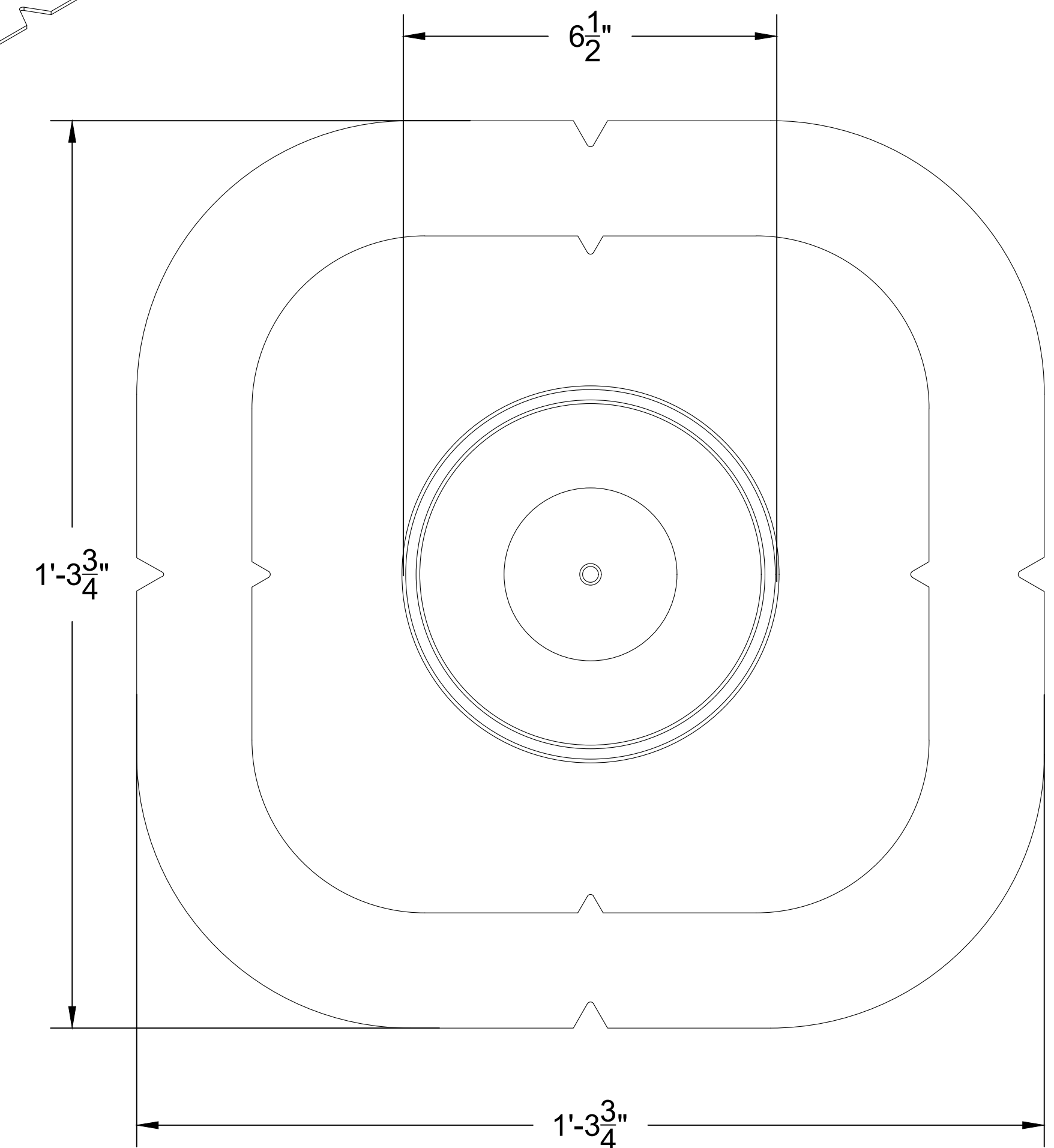
Q U-ANCHOR 2000, PERSPECTIVE VIEW



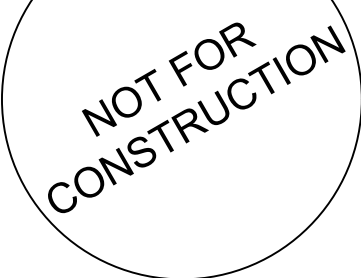
R U-ANCHOR TARGET PLATE



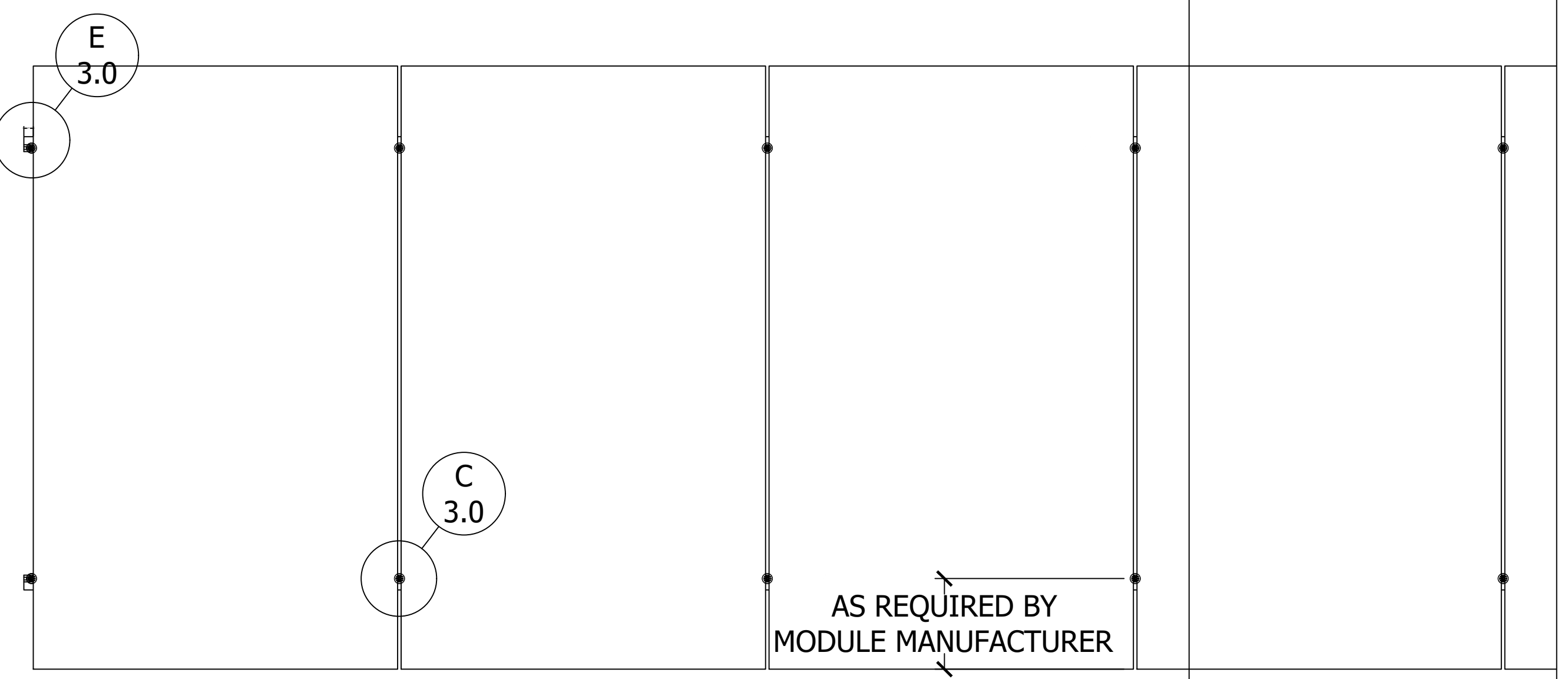
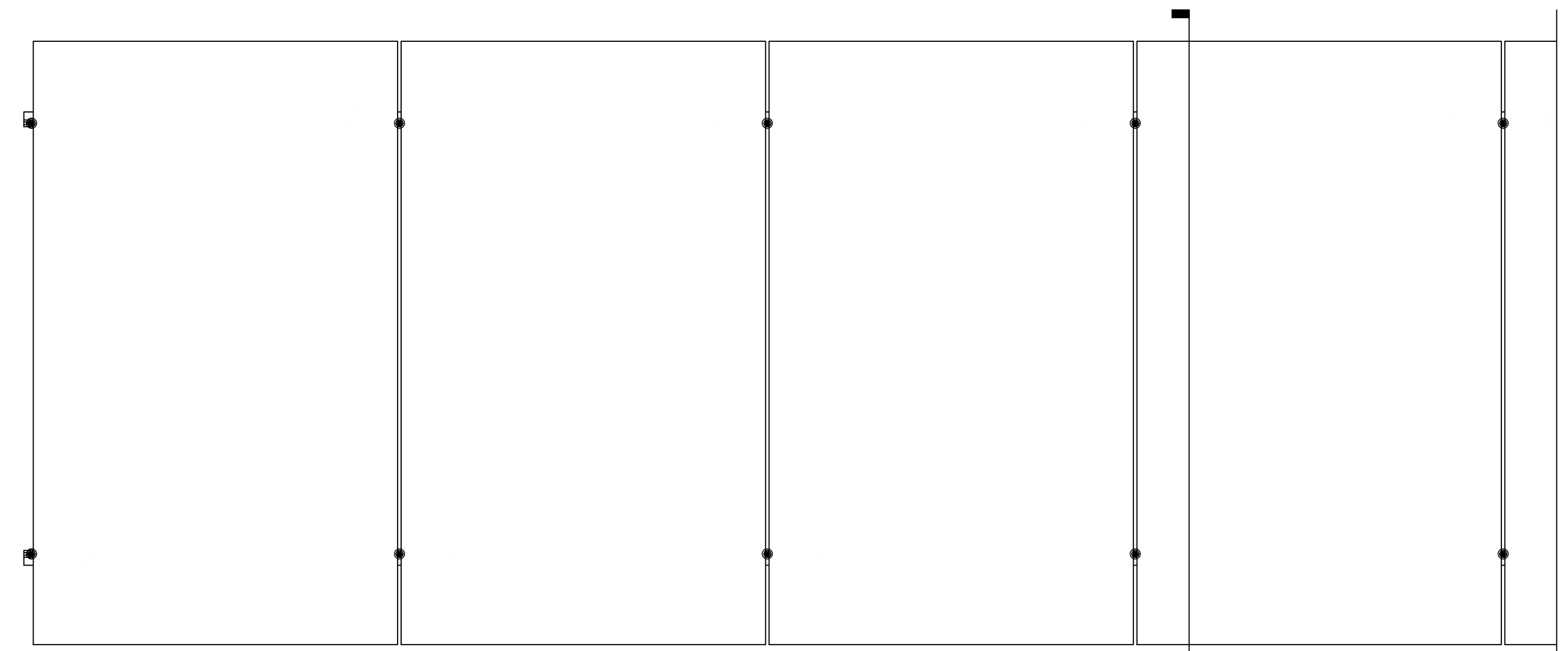
T U-ANCHOR 2000, SIDE VIEW



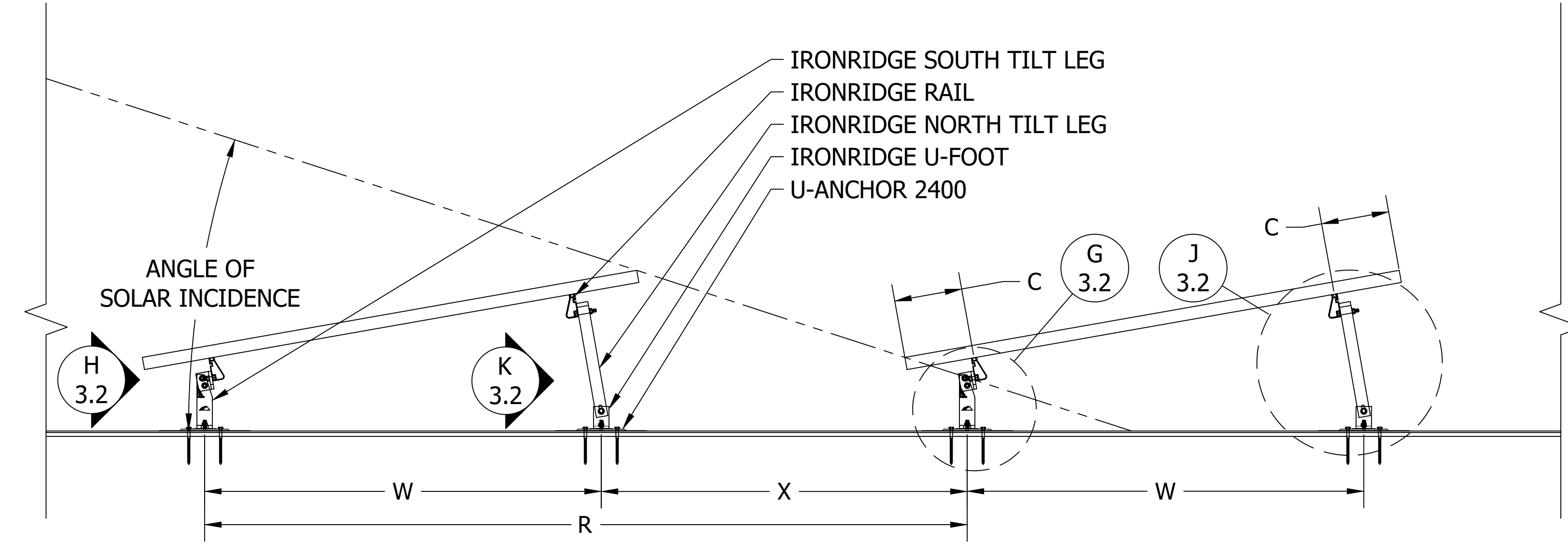
S U-ANCHOR 2000, PLAN VIEW



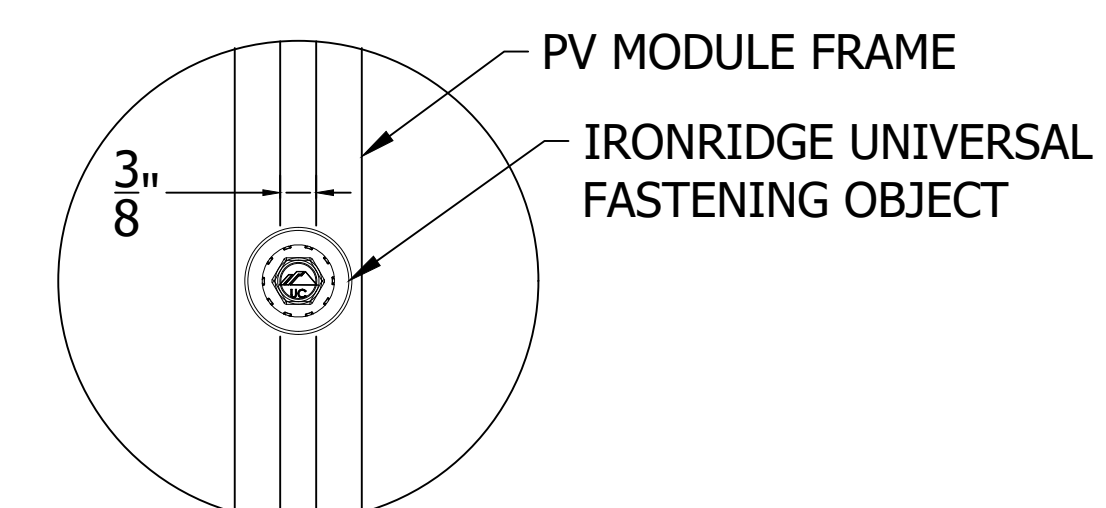
PROJECT NAME	FLAT ROOF MOUNT SYSTEM
PROJECT ADDRESS	
SYSTEM KW DC	



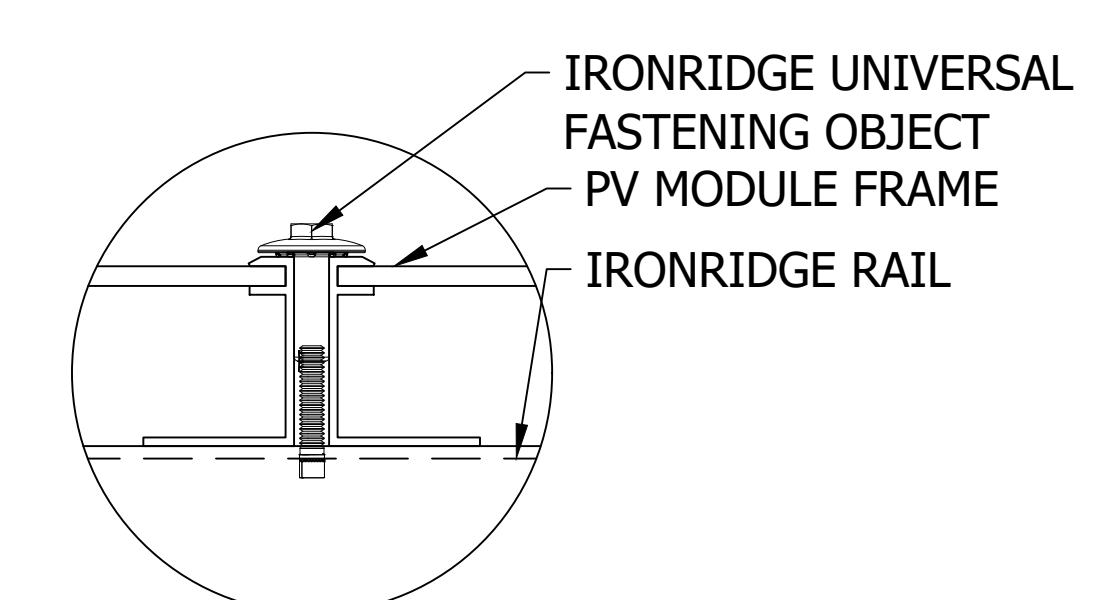
A PLAN VIEW, U-ANCHOR 2400, PORTRAIT MODULE
Scale: 1"=1'-0"



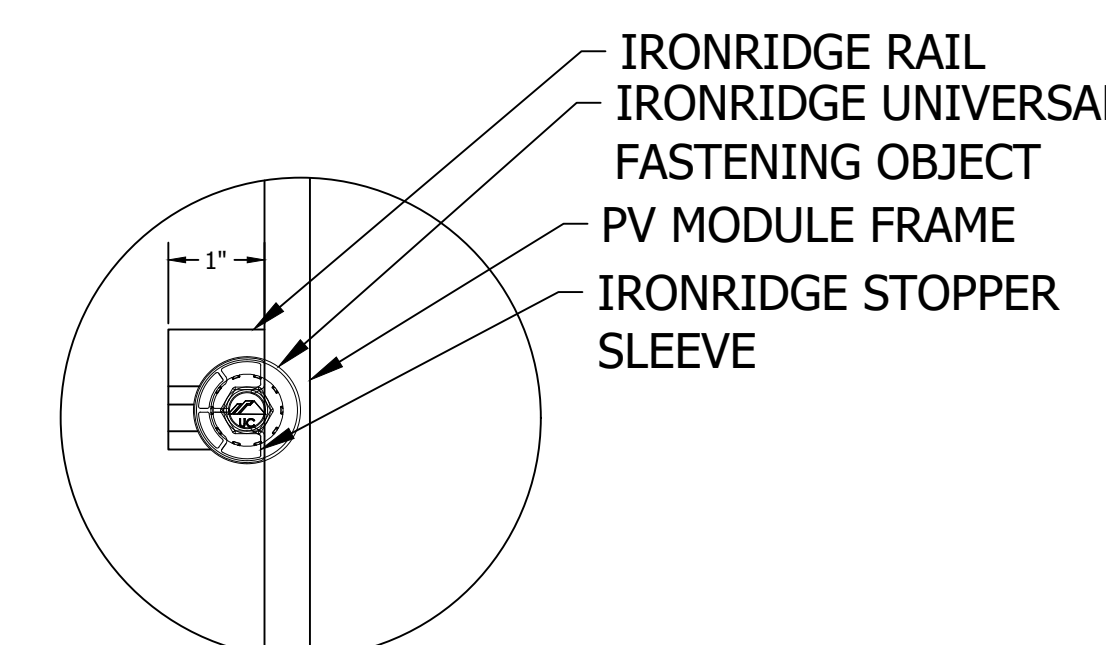
B SIDE VIEW, U-ANCHOR 2400, PORTRAIT MODULE
Scale: 1"=1'-0"



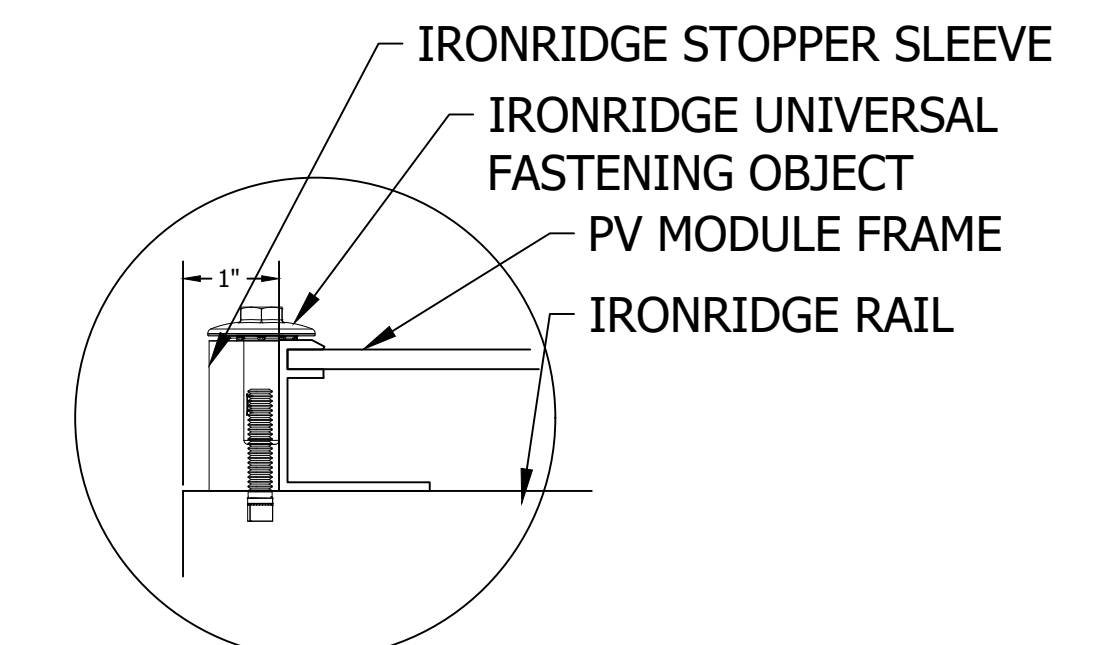
C DETAIL, MID CLAMP PLAN
Scale: 6"=1'-0"



D DETAIL, MID CLAMP FRONT
Scale: 6"=1'-0"



E DETAIL, END CLAMP PLAN
Scale: 6"=1'-0"



F DETAIL, END CLAMP FRONT
Scale: 6"=1'-0"

CLIENT NAME	IRONRIDGE
PROJECT NAME	FLAT ROOF MOUNT SYSTEM
PROJECT ADDRESS	
SYSTEM KW/DC	

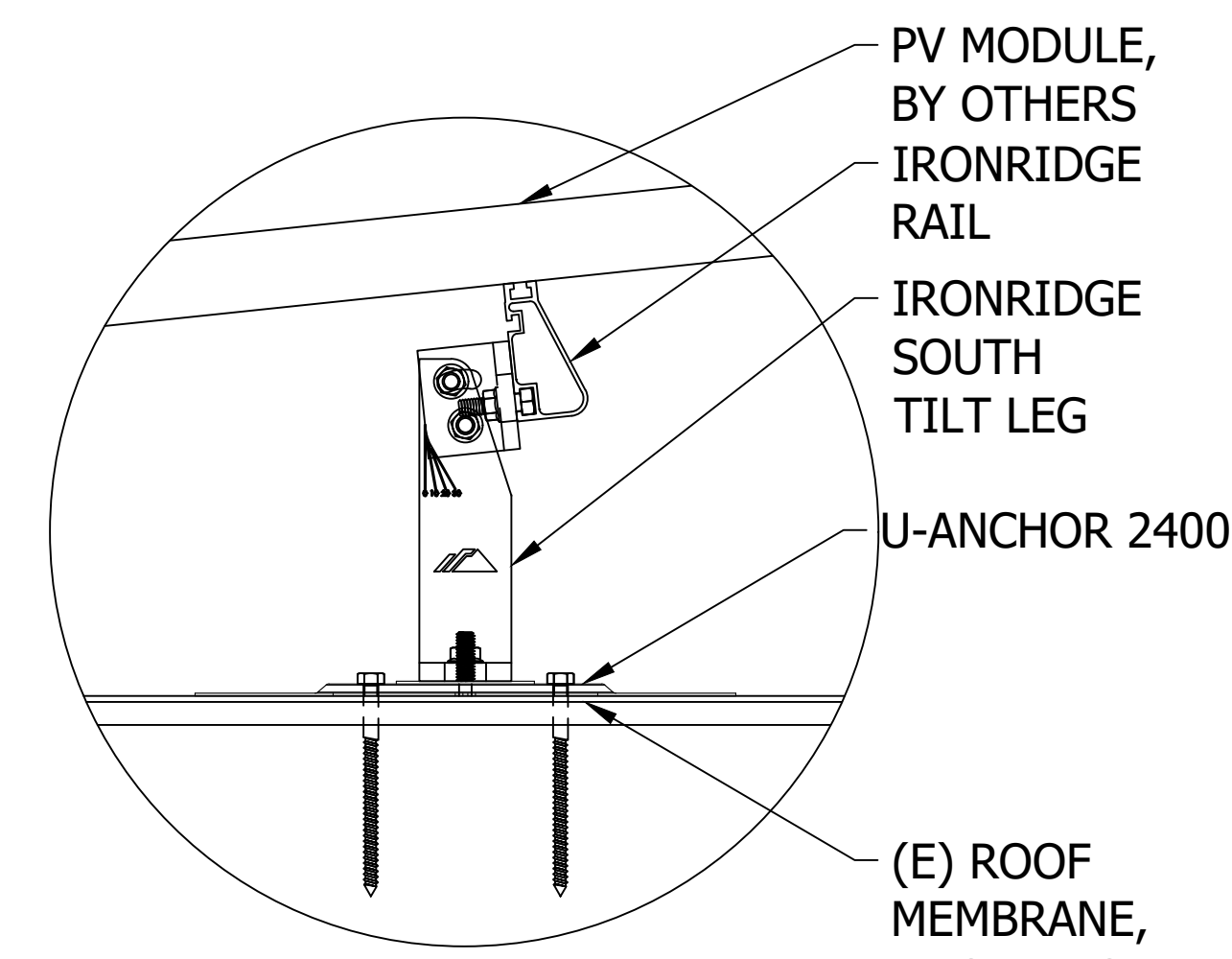
WIND SPEED, MPH	
SNOW LOAD, PSF	
EXPOSURE CAT	
RISK CAT	
MODULE TYPE	60-CELL, GENERIC
MODULE W/DC	
MODULE QTY	

APPROVAL STATUS

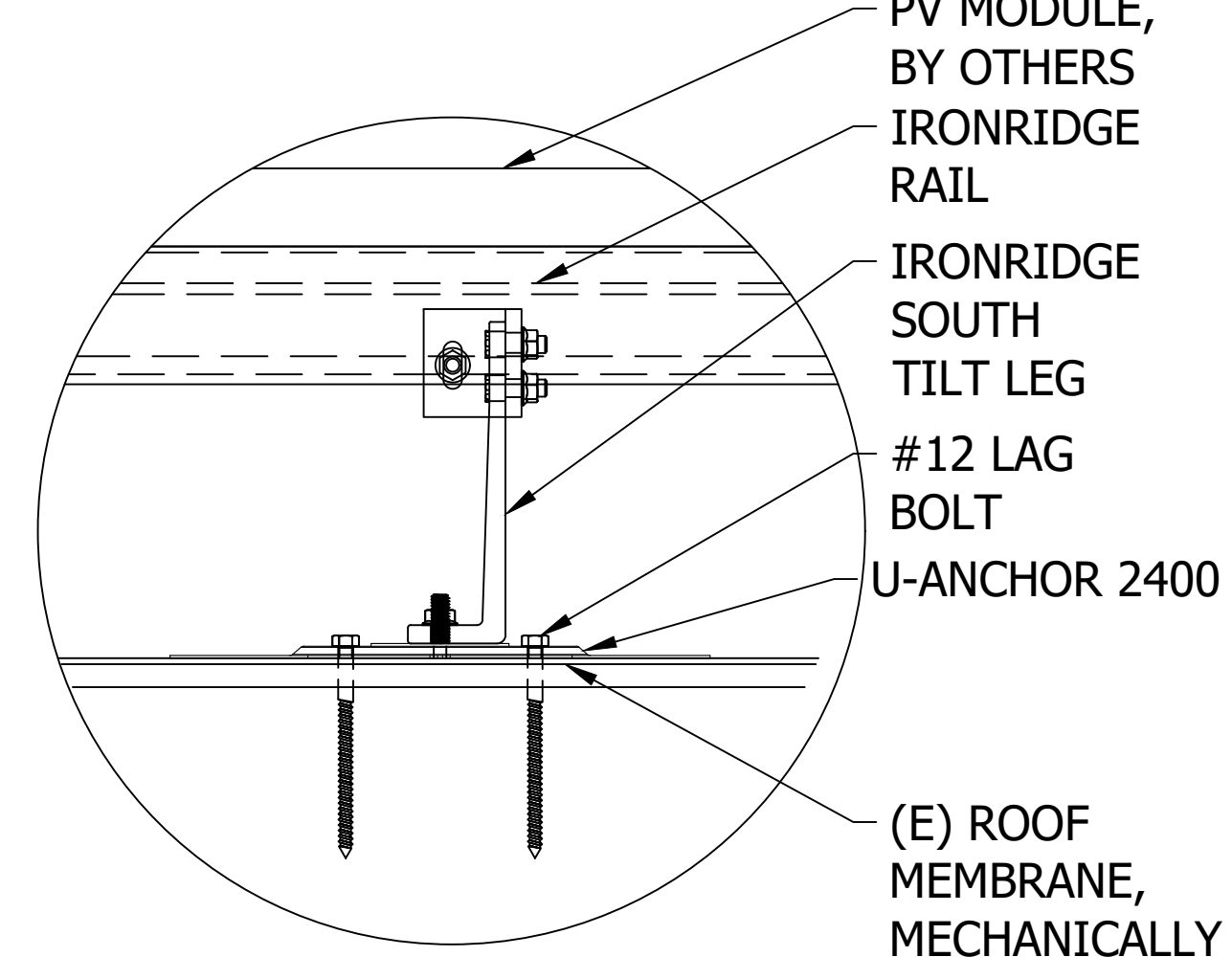
NOT FOR CONSTRUCTION

REV	DESCRIPTION	DATE

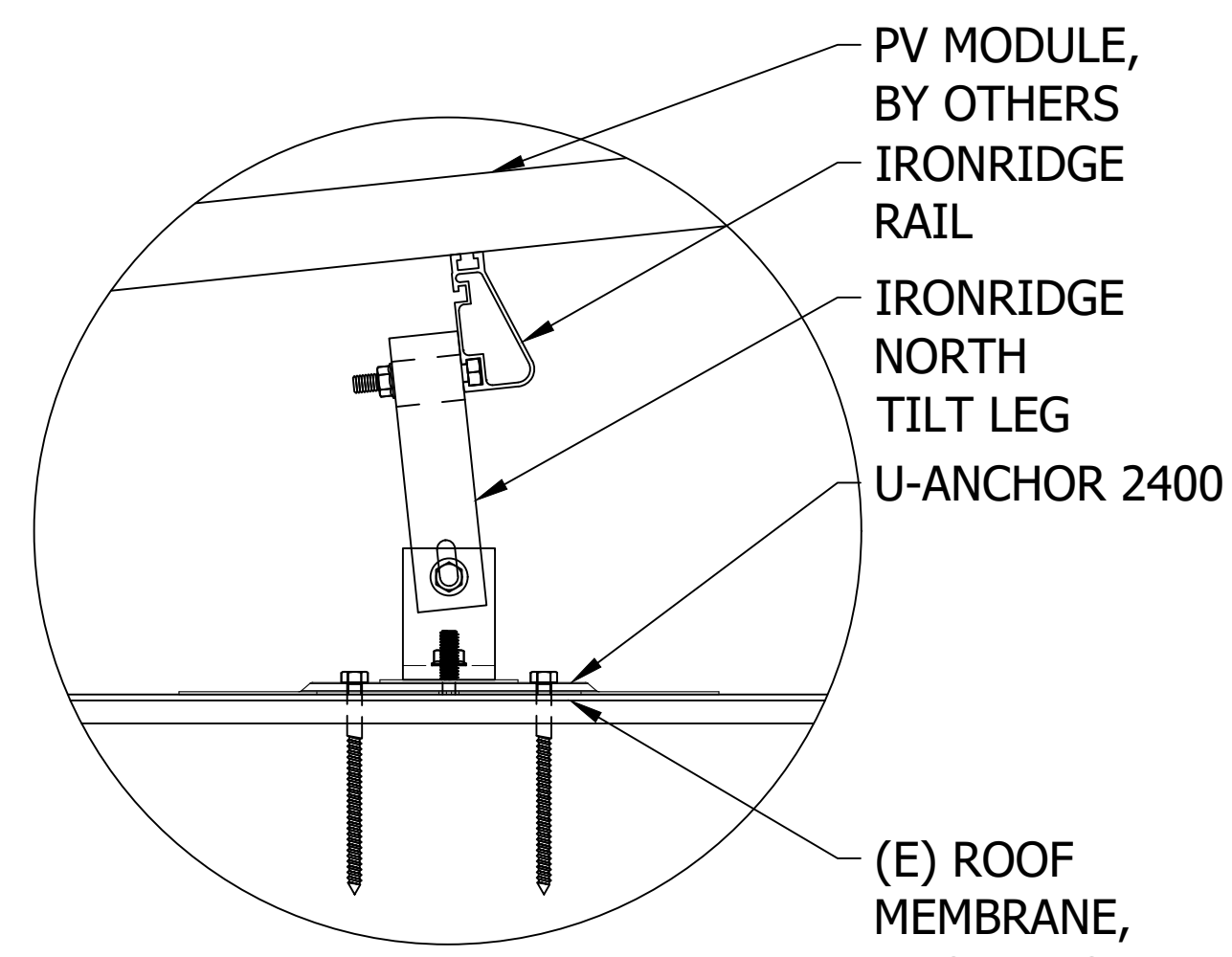
SHEET NAME	
FLAT ROOF PV SYSTEM	
DETAILS:	
U-ANCHOR 2400	
JOB NO.	3.0 FR
ISSUE DATE	XX FEB 2016
SHEET NO.	IR 3.0
SHEET SIZE	24X36



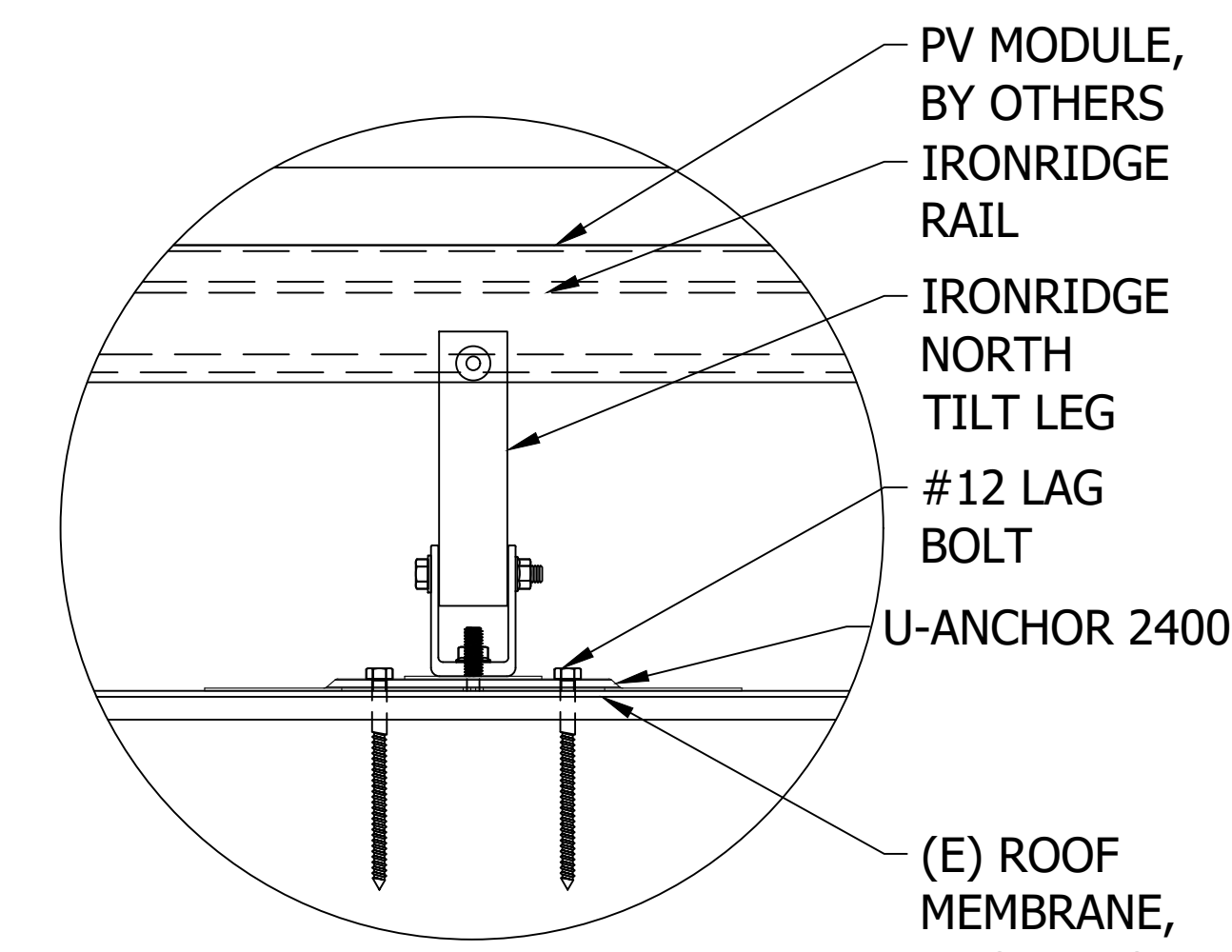
G STANDOFF DETAIL
Scale: 3"=1'-0"



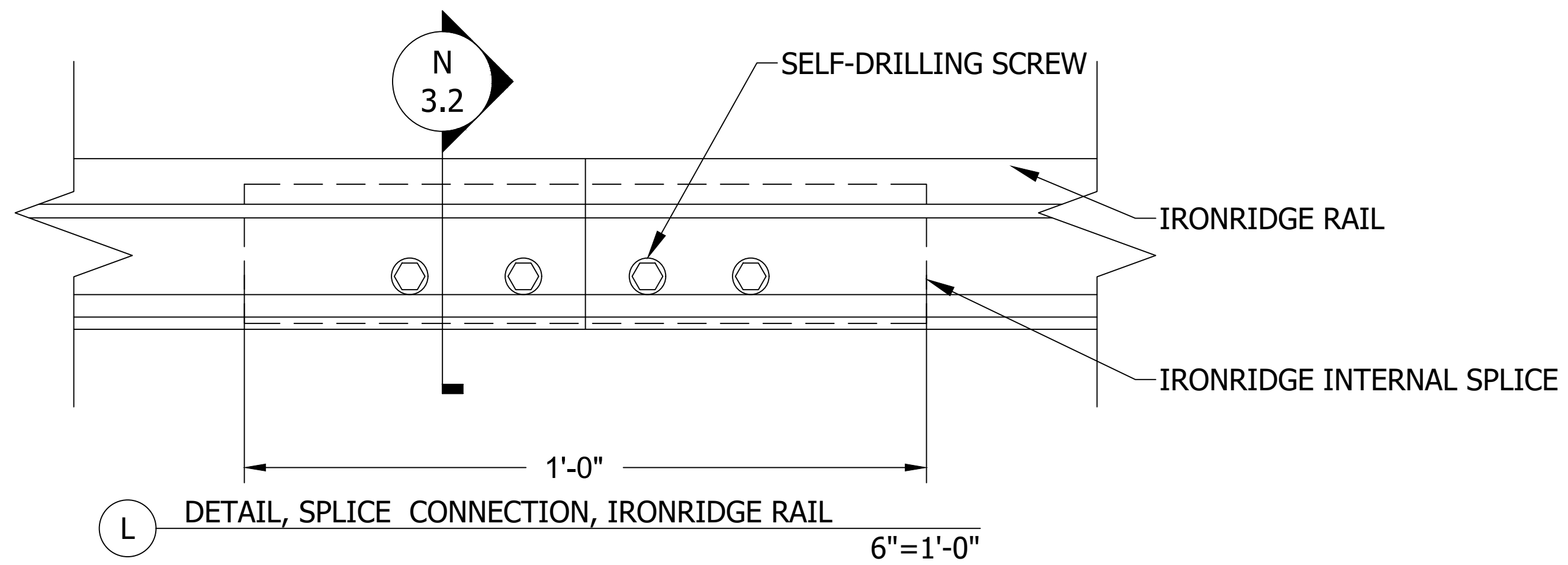
H STANDOFF DETAIL
Scale: 3"=1'-0"



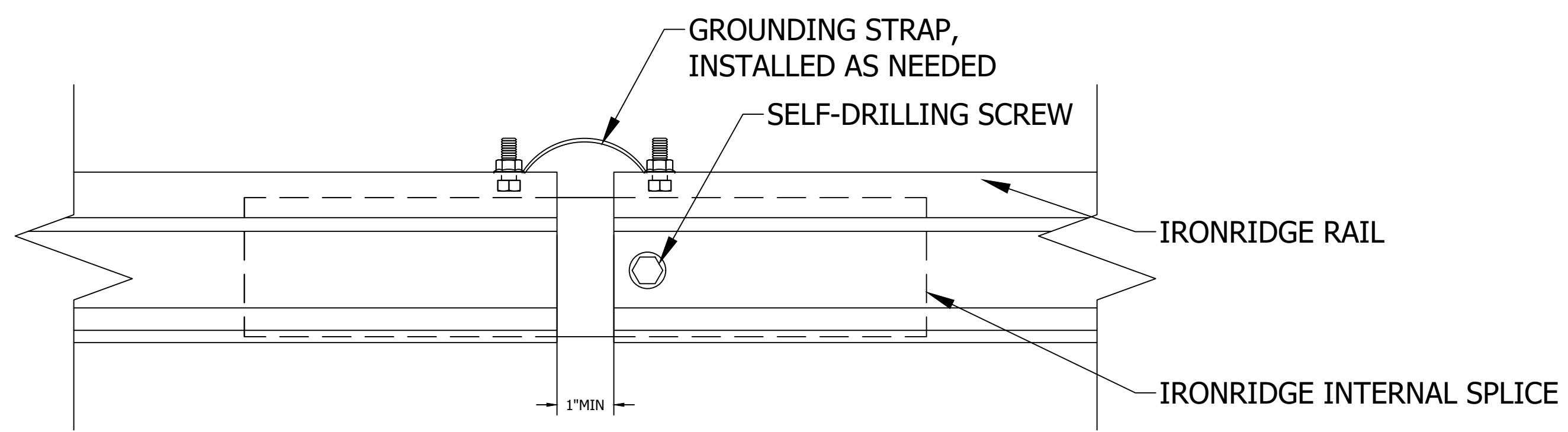
J STANDOFF DETAIL
Scale: 3"=1'-0"



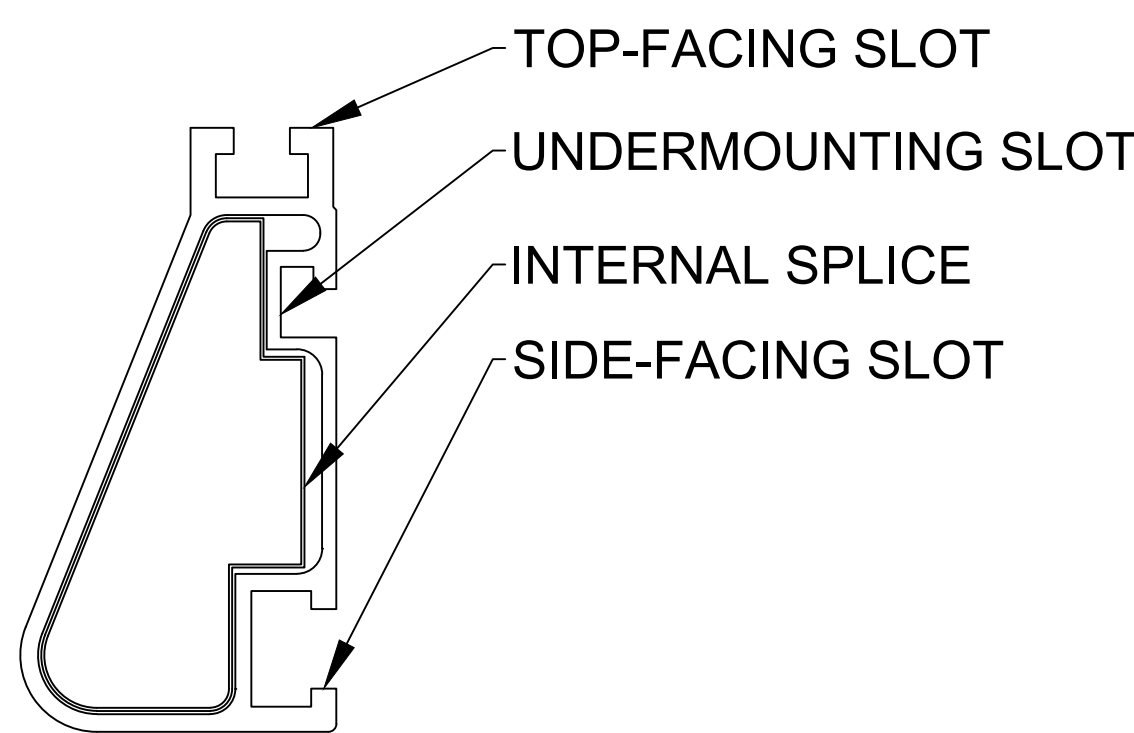
K STANDOFF DETAIL
Scale: 3"=1'-0"



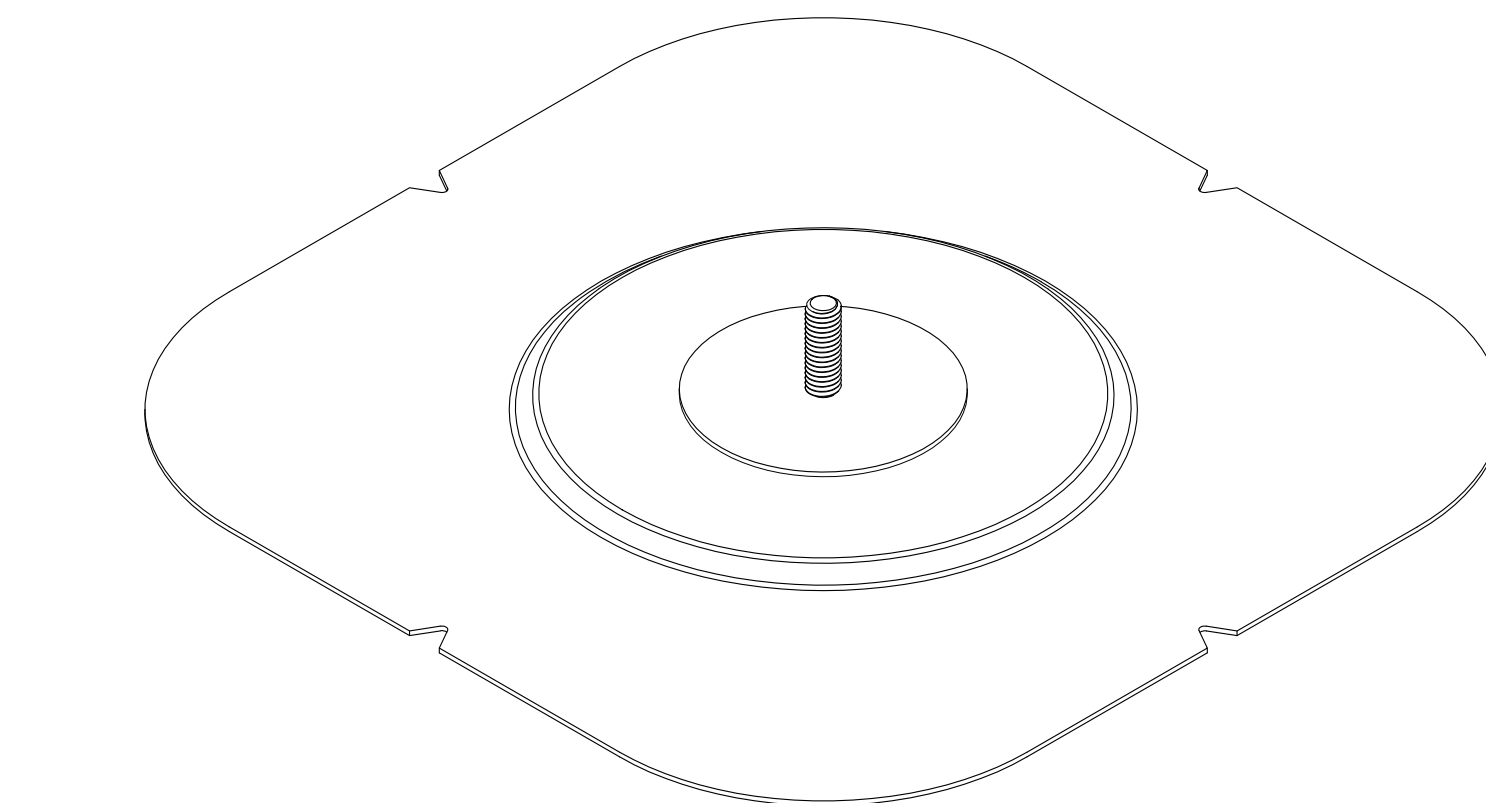
L DETAIL, SPLICE CONNECTION, IRONRIDGE RAIL
6"=1'-0"



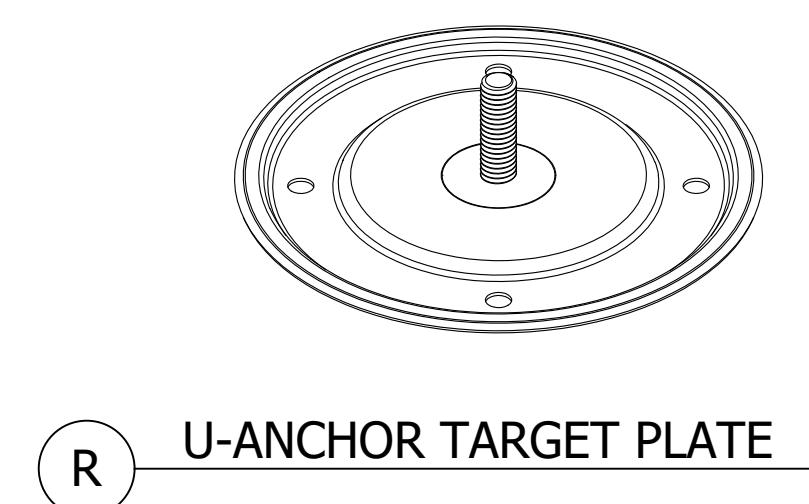
M DETAIL, EXPANSION JOINT CONNECTION, IRONRIDGE RAIL
6"=1'-0"



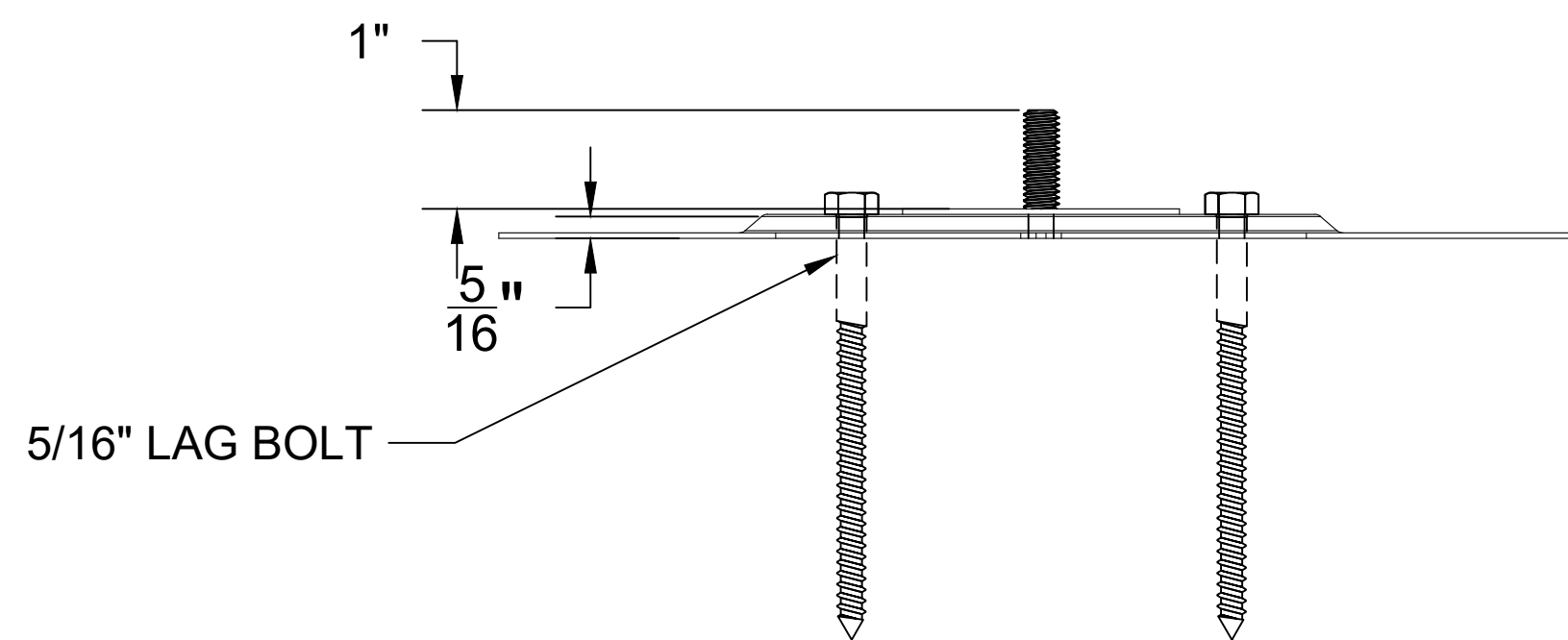
N DETAIL, INTERNAL SPLICE, IRONRIDGE RAIL
1'-0"=1'-0"



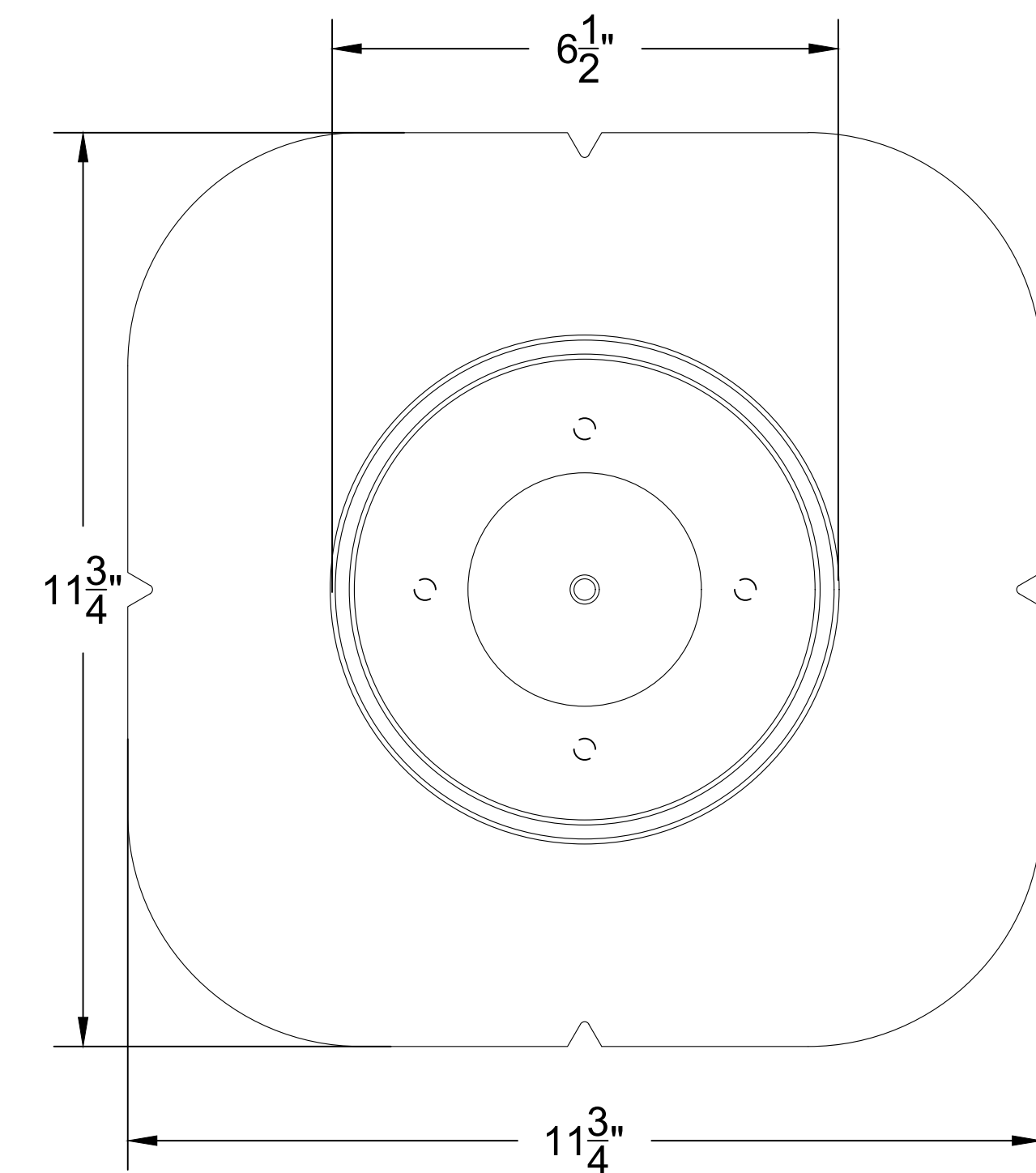
Q U-ANCHOR 2400, PERSPECTIVE VIEW



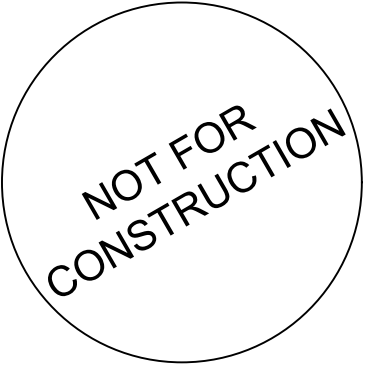
R U-ANCHOR TARGET PLATE



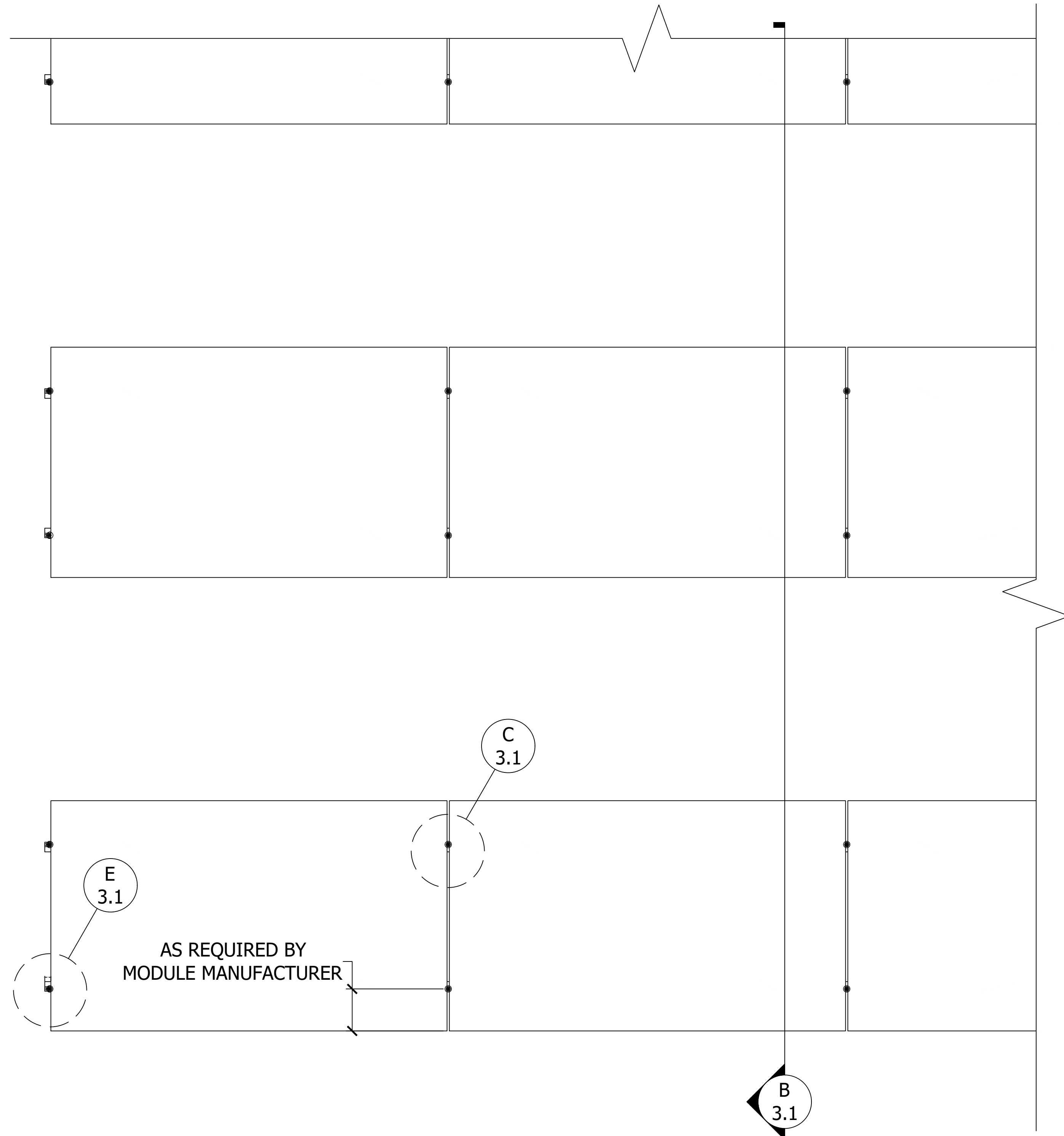
T U-ANCHOR 2400, SIDE VIEW



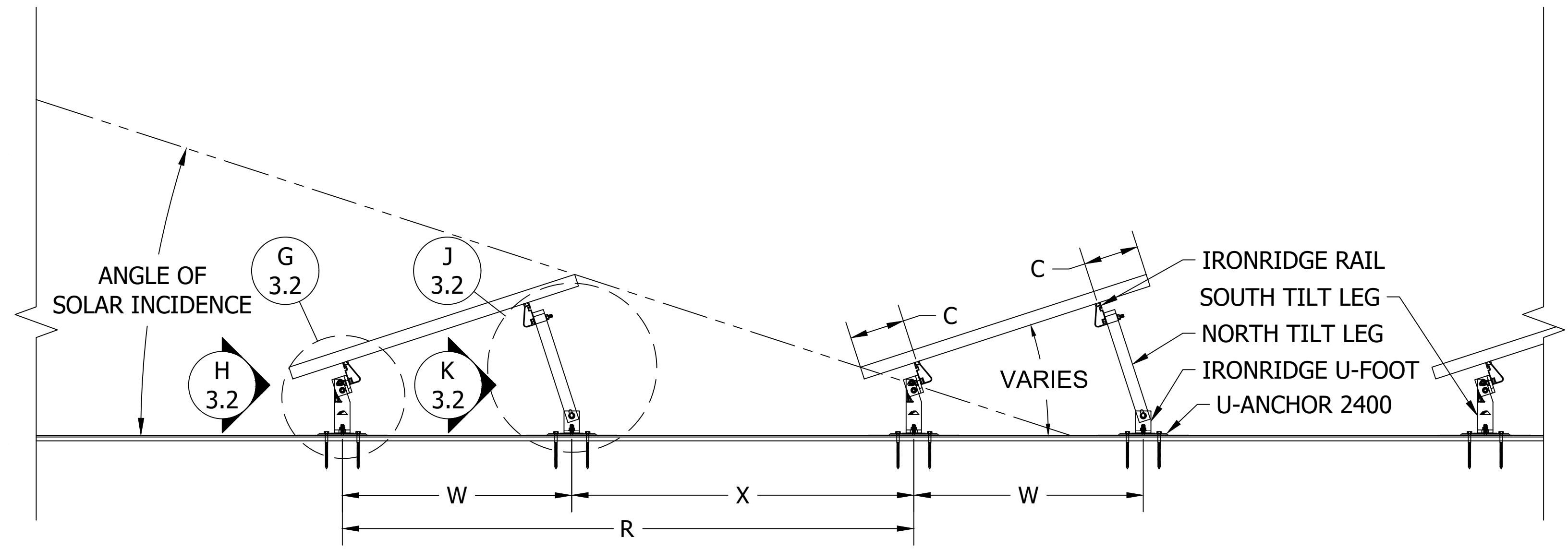
S U-ANCHOR 2400, PLAN VIEW



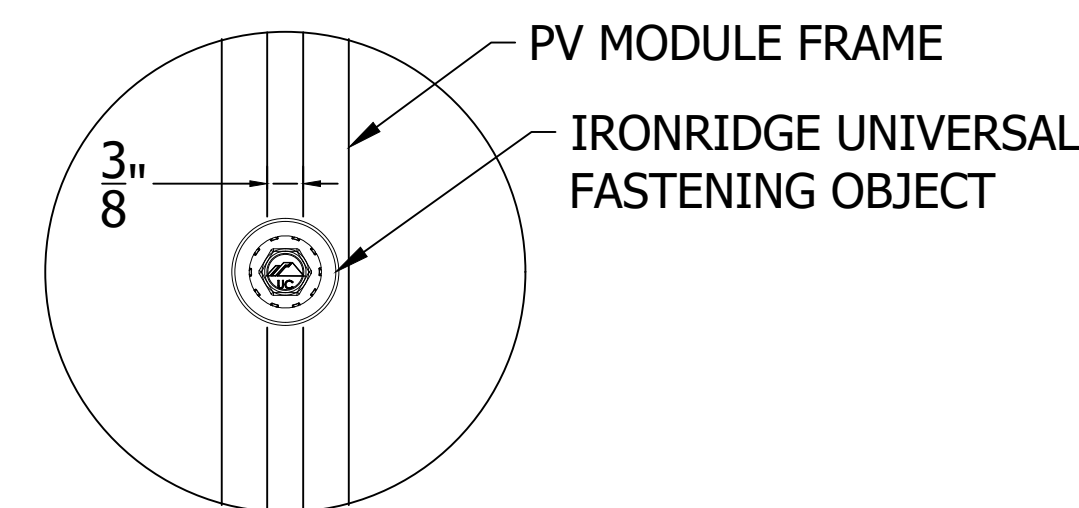
REV	DESCRIPTION	DATE



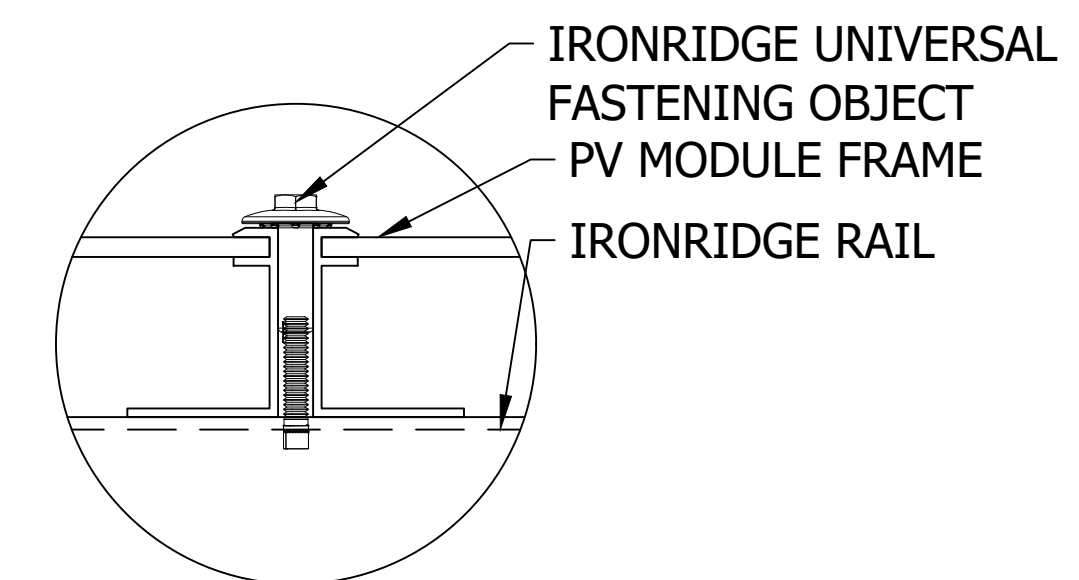
A PLAN VIEW, U-ANCHOR 2400, LANDSCAPE MODULE
Scale: 1"=1'-0"



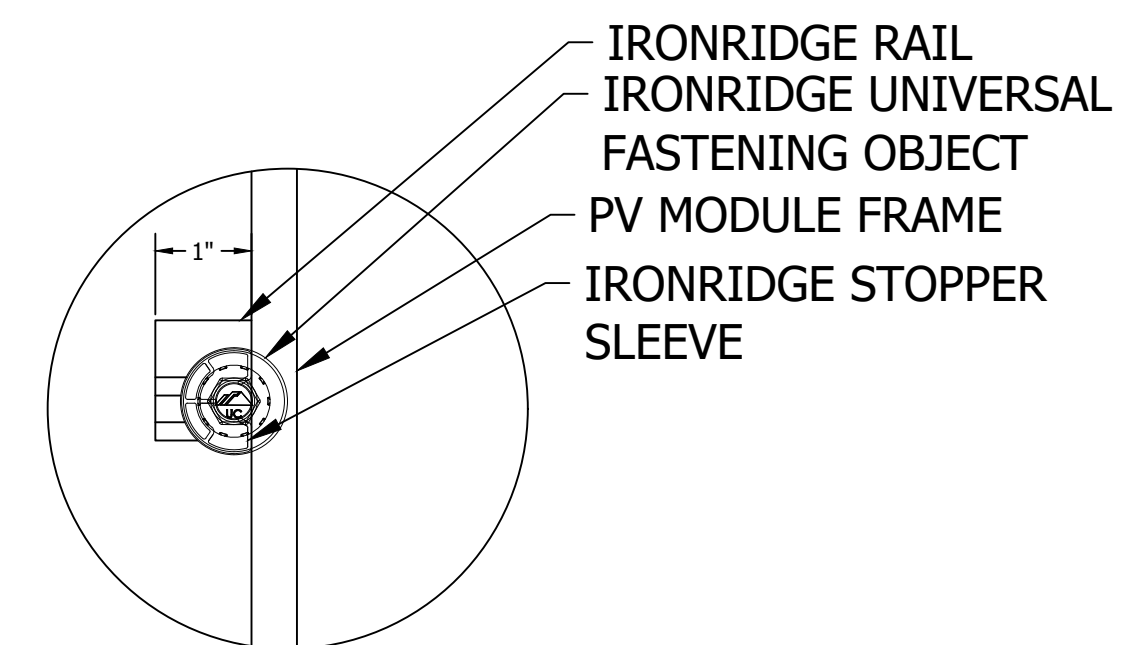
B SIDE VIEW, U-ANCHOR 2400, LANDSCAPE MODULE
Scale: 1"=1'-0"



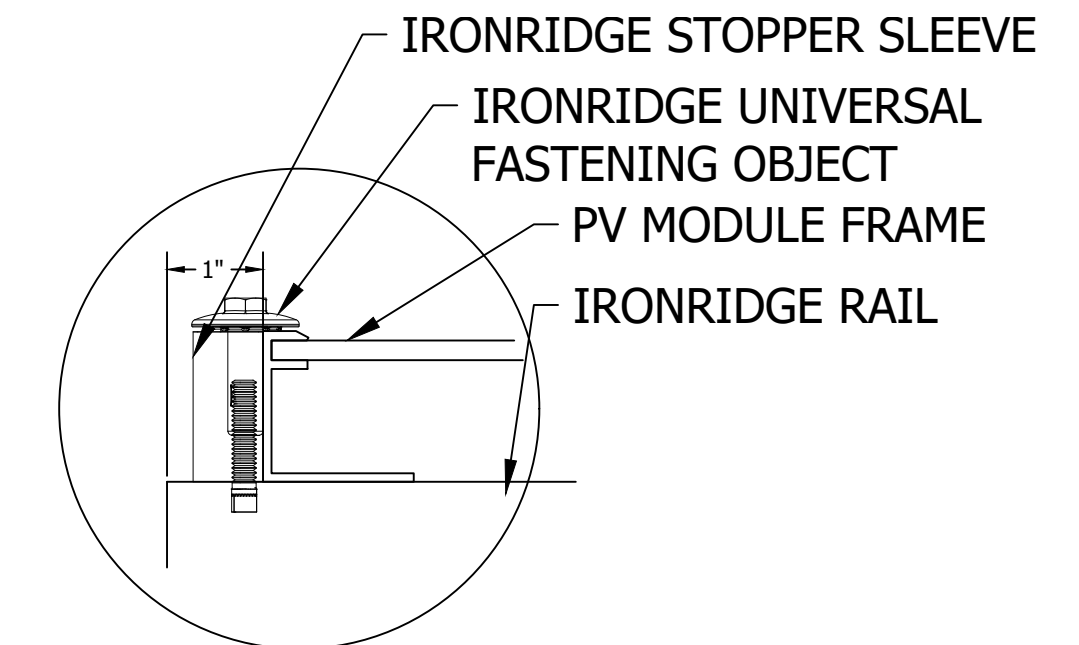
C DETAIL, MID CLAMP PLAN
Scale: 6"=1'-0"



D DETAIL, MID CLAMP FRONT
Scale: 6"=1'-0"



E DETAIL, END CLAMP PLAN
Scale: 6"=1'-0"



F DETAIL, END CLAMP FRONT
Scale: 6"=1'-0"

CLIENT NAME	IRONRIDGE
PROJECT NAME	FLAT ROOF MOUNT SYSTEM
PROJECT ADDRESS	
SYSTEM KW/DC	

WIND SPEED, MPH	-
SNOW LOAD, PSF	-
EXPOSURE CAT	-
RISK CAT	60-CELL, GENERIC
MODULE TYPE	-
MODULE W/DC	-
MODULE QTY	-

APPROVAL STATUS
NOT FOR CONSTRUCTION

REV	DESCRIPTION	DATE

SHEET NAME	
FLAT ROOF PV SYSTEM	
DETAILS:	
U-ANCHOR 2400	
JOB NO.	3.0 FR
ISSUE DATE	XX FEB 2016
SHEET NO.	IR 3.1
SHEET SIZE	24X36