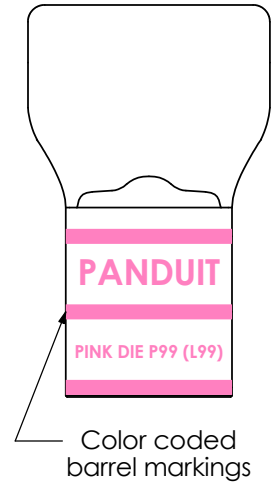
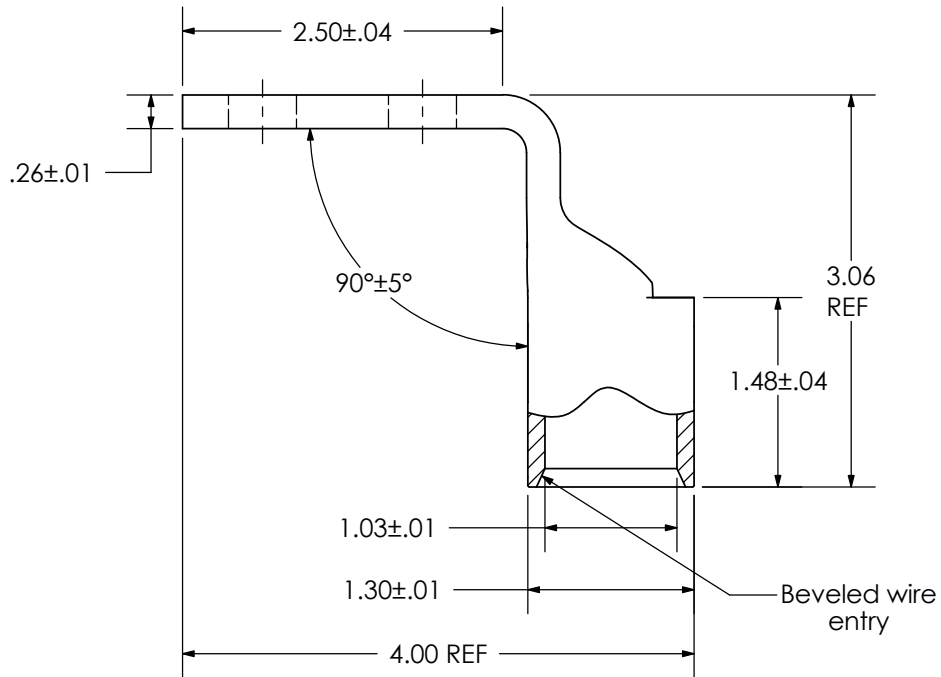
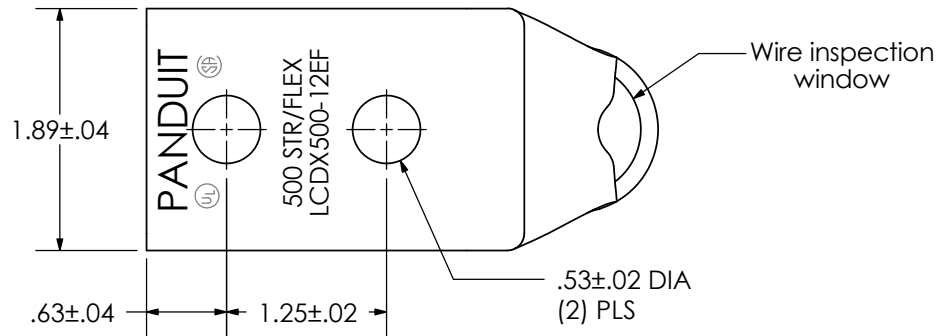


THIS COPY IS PROVIDED ON A RESTRICTED BASIS AND IS NOT TO BE USED IN ANY WAY DETRIMENTAL TO THE INTERESTS OF PANDUIT CORP.

|  |  |
|--|--|
| Material                                       | High Conductivity Seamless Copper Tube   |
| Plating  | Electro-Tin  |
| Wire Size                                      | 500 STR/FLEX   |
| Wire Type                                      | Stranded Copper:<br>Class: G, H, I, K, M,<br>Locomotive  |
| Wire Strip Length                              | 1-9/16 in.   |
| Stud Size                                      | 1/2 in.  |
| UL Listed Wire Connector                       | Yes, for applications up to 35kv. Consult cable manufacturer for voltage stress relief instructions with applications greater than 2000 volts. |
| UL Temperature Rating                          | 90° C  |
| C.S.A Certified Wire Connector                 | Yes  |
| Panduit Color Code on Barrel                   | PINK   |
| Panduit Die Index No. on Barrel                | P99  |
| Alternate Industry Die Index No. ( ) on Barrel | (L99)  |



| REV | DATE | BY   | CHK | DESCRIPTION | ECN | SCALE | DRAWING NO / CAD FILE |
|-----|------|------|-----|-------------|-----|-------|-----------------------|
| 00  | 1/08 | JHNU | LEM | RELEASED    |     | N/A   | LCDX500-12EF-CUST     |

**PANDUIT CORP. TINLEY PARK, ILLINOIS**

LCDX500-12EF-6  
Copper Lug - Two-Hole, Standard Flex Barrel, 90° Angle Tongue

SCALE N/A DRAWING NO / CAD FILE LCDX500-12EF-CUST