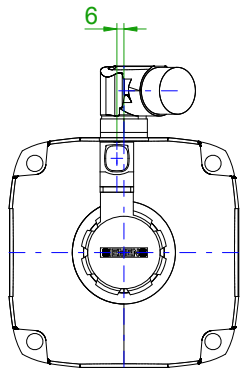
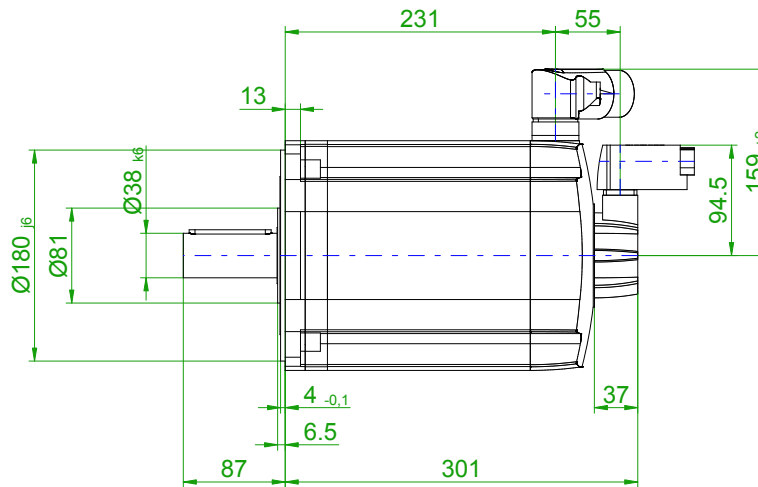
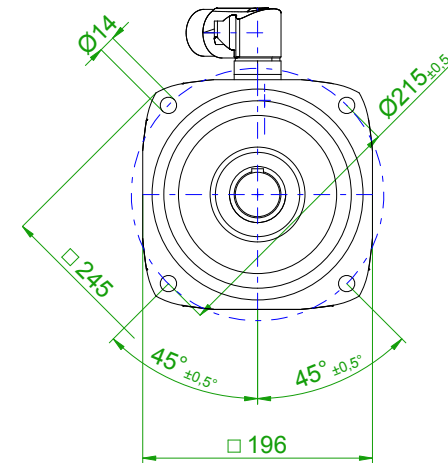


back view

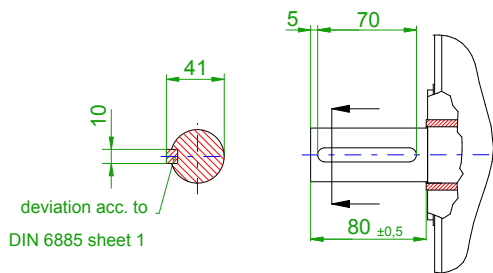


front view

center hole
DIN 332-DR M12

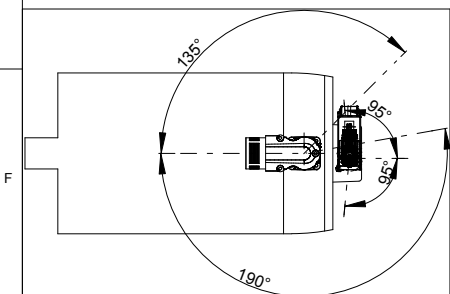
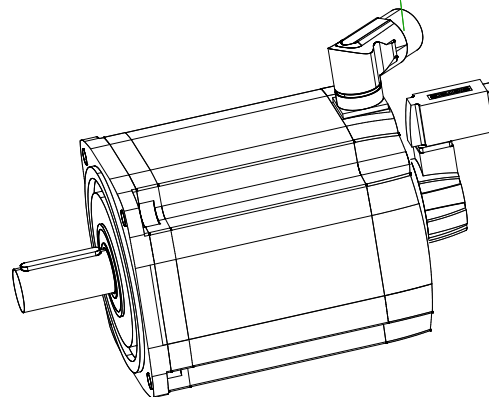


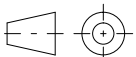
version with featherkey



6-pole plug size 1.5
for power

10-pole
signal plug



| | | | |
|---|---|--------------------|---------|
|  | | SIEMENS | |
| Einheit / unit: mm | Synchron-Servomotor Synchronous Servo Motor: | 1FT7105-5AB70-1FA1 | |
| nicht tolerierte Maße / not toleranced dimensions: | Optionen / options: | Gewicht / mass: | 44.2 kg |
| Maßstab / scale: ohne / without | Bemerkung / notice: | | |
| CAD CREATOR 2.2 (WWW-Version V02.20.00.00) | Druckdatum / print date: | 06.02.2020 | |