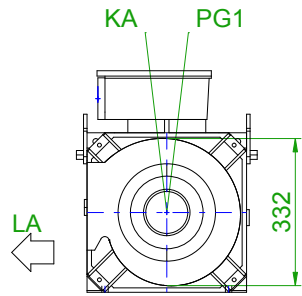
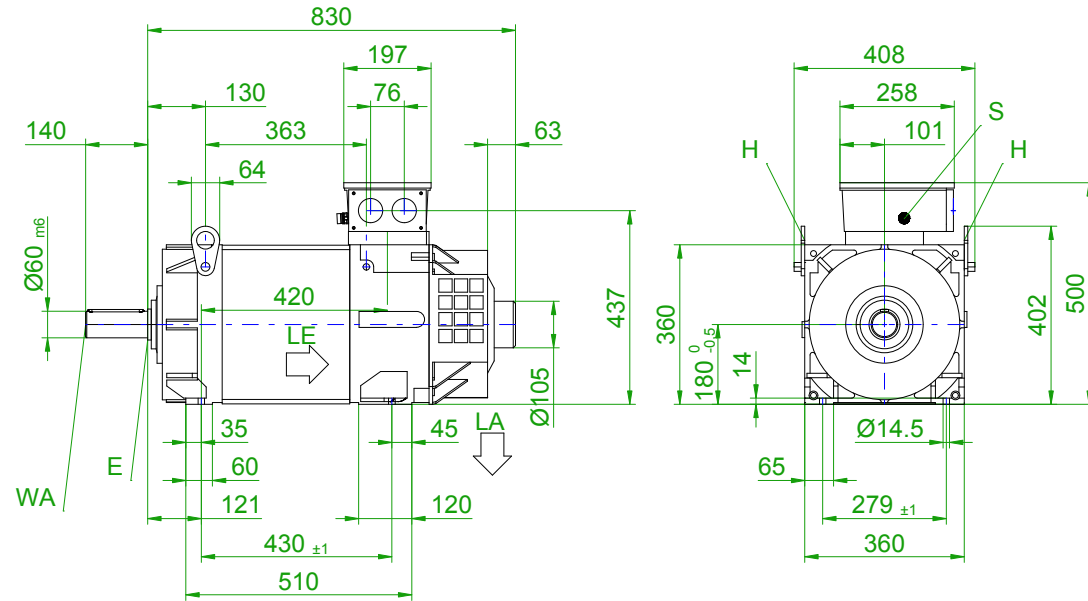


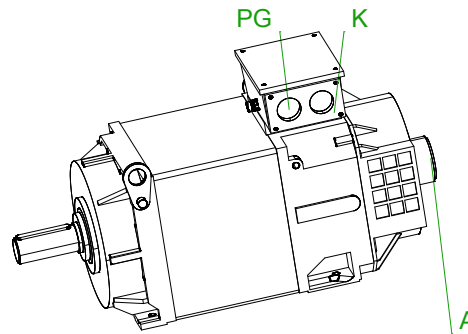
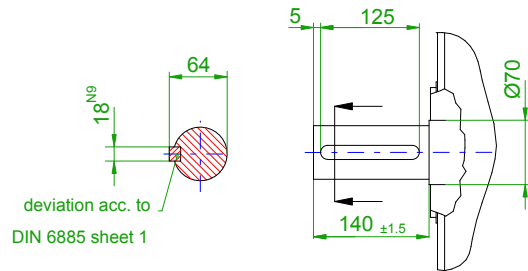
back view



front view

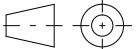


version with featherkey



- PG1 - Cable entry M20x1,5
- LE - Air inlet, LA - Air outlet
- A - Separately driven fan
- KA - Terminal box for fan motor

- S - Connector for pulse generator and temperature sensor
- PG - Cable Entry 2x Pg42
- K - Terminal box suitable for conductor cross section up to 2x50 qmm
- E - Relief groove E1,6x0,3 to DIN509
- WA - Shaft extension 60 m6x140-0,5 to DIN 748, tapped centre hole DR M20 to DIN332
- H - Lifting eye

		<b>SIEMENS</b>	
Einheit / unit: mm		Asynchron-Servomotor Asynchronous Servo Motor:	1PH7184-2JF00-0EA3
nicht tolerierte Maße / not toleranced dimensions:		Optionen / options:	Gewicht / mass: 425 kg
		Bemerkung / notice:	
Maßstab / scale: ohne / without			
CAD CREATOR 2.2 (WWW-Version V02.20.00.00)		Druckdatum / print date: 31.05.2018	