

Switch disconnecter 63 A, Size 1, 3-pole Front operating mechanism  
left Basic unit without handle Box terminal



Model	
Product brand name	SETRON
Product designation	3KD switch disconnecter
Design of the product	Switch
Display version / for switch position indicator door-coupling rotary operating mechanism	ON-OFF
Design of the operating mechanism	Without handle
Type of the driving mechanism	Front operating mechanism
Type of the driving mechanism / motor drive	No

General technical data	
Number of poles	3
Type of device	fixed mounting
Size of switch disconnecter	1
Electrical endurance (switching cycles)	
<ul style="list-style-type: none"> <li>• at AC-23 A / at 690 V / at 50/60 Hz</li> <li>• at DC-23 A / at 440 V</li> </ul>	<p>6 000</p> <p>1 500</p>
<ul style="list-style-type: none"> <li>• I<sup>2</sup>t value / with closed switch / for combination switch + fuse / at 500 V / maximum</li> </ul>	34 100 A <sup>2</sup> ·s

<ul style="list-style-type: none"> <li>• I2t value / with closed switch / for combination switch + fuse / at 400 V / maximum</li> </ul>	34 100 A <sup>2</sup> ·s
<ul style="list-style-type: none"> <li>• I2t value / with closed switch / at 690 V / for combination switch + gG fuse / maximum</li> </ul>	41 190 A <sup>2</sup> ·s
<ul style="list-style-type: none"> <li>• I2t value / of the fuse / at 500 V / maximum permissible</li> </ul>	26 505 A <sup>2</sup> ·s
<ul style="list-style-type: none"> <li>• I2t value / of the gG fuse / at 690 V / maximum permissible</li> </ul>	24 005 A <sup>2</sup> ·s
circuit-breaker / Design	3KD2
Mechanical service life (switching cycles) / typical	15 000
Position / of the switch operating mechanism	at the left end
Overvoltage category	III
Degree of pollution	3

### Voltage

Operating voltage / with current paths in series <ul style="list-style-type: none"> <li>• with degree of pollution 2 / at DC / rated value</li> </ul>	440 V / 3
Insulation voltage <ul style="list-style-type: none"> <li>• rated value</li> </ul>	1 000 V
Surge voltage resistance / rated value	8 kV
Current / at AC / rated value	63 A
Operating voltage <ul style="list-style-type: none"> <li>• at AC / at 50/60 Hz / rated value</li> </ul>	1 000 V

### Protection class

Protection class IP	IP20
Protection class IP <ul style="list-style-type: none"> <li>• with closed switch / with cover or cable lug cover</li> </ul>	IP20
<ul style="list-style-type: none"> <li>• on the front</li> </ul>	IP20

### Dissipation

Power loss [W] <ul style="list-style-type: none"> <li>• with conventional rated thermal current / per pole</li> </ul>	1 W
<ul style="list-style-type: none"> <li>• with conventional rated thermal current / per device</li> </ul>	3 W
<ul style="list-style-type: none"> <li>• for rated value of the current / at AC / in hot operating state / per pole</li> </ul>	1 W

### Current

Operating current <ul style="list-style-type: none"> <li>• at AC-21 A / at 400 V / maximum</li> </ul>	63 A
<ul style="list-style-type: none"> <li>• at AC-21 A / at 500 V / maximum</li> </ul>	63 A
<ul style="list-style-type: none"> <li>• at AC-21 A / at 690 V / maximum</li> </ul>	63 A

<ul style="list-style-type: none"> <li>• at AC-23 A / at 500 V / at 50/60 Hz / rated value / maximum</li> </ul>	63 A
<ul style="list-style-type: none"> <li>• at AC-22 A / at 500 V / at 50/60 Hz / rated value / maximum</li> </ul>	63 A
<ul style="list-style-type: none"> <li>• at AC-22 A / at 400 V / at 50/60 Hz / rated value / maximum</li> </ul>	63 A
<ul style="list-style-type: none"> <li>• at AC-22 A / at 690 V / at 50/60 Hz / rated value / maximum</li> </ul>	63 A
<ul style="list-style-type: none"> <li>• at AC-23 A / at 400 V / at 50/60 Hz / rated value / maximum</li> </ul>	63 A
<ul style="list-style-type: none"> <li>• at AC-23 A / at 690 V / at 50/60 Hz / rated value / maximum</li> </ul>	63 A
Continuous current	
<ul style="list-style-type: none"> <li>• rated value</li> </ul>	63 A
<ul style="list-style-type: none"> <li>• at 40 °C / rated value</li> </ul>	63 A
<ul style="list-style-type: none"> <li>• at 45 °C / rated value</li> </ul>	63 A
<ul style="list-style-type: none"> <li>• at 50 °C / rated value</li> </ul>	63 A
<ul style="list-style-type: none"> <li>• at 55 °C / rated value</li> </ul>	63 A
<ul style="list-style-type: none"> <li>• at 60 °C / rated value</li> </ul>	63 A
<ul style="list-style-type: none"> <li>• at 65 °C / rated value</li> </ul>	63 A
<ul style="list-style-type: none"> <li>• at 70 °C / rated value</li> </ul>	63 A
Continuous current / at DC / rated value	63 A
Let-through current / of the fuse / at 500 V / maximum permissible	12 500 A
Let-through current / of the gG fuse / at 690 V / maximum permissible	14 700 A
Let-through current / with closed switch	
<ul style="list-style-type: none"> <li>• at 690 V / for combination switch + gG fuse / maximum permissible</li> </ul>	11 500 A
<ul style="list-style-type: none"> <li>• for combination switch + fuse / at 400 V / maximum permissible</li> </ul>	13 100 A
<ul style="list-style-type: none"> <li>• for combination switch + fuse / at 500 V / maximum permissible</li> </ul>	13 100 A
<b>Main circuit</b>	
Operating power	
<ul style="list-style-type: none"> <li>• at AC-23 A / at 400 V / at 50/60 Hz / rated value</li> </ul>	30 kW
<ul style="list-style-type: none"> <li>• at AC-23 A / at 500 V / at 50/60 Hz / rated value</li> </ul>	37 kW
<ul style="list-style-type: none"> <li>• at AC-23 A / at 690 V / at 50/60 Hz / rated value</li> </ul>	55 kW
<b>Auxiliary circuit</b>	
Number of connected NC contacts / for auxiliary contacts	0
Number of connected NO contacts / for auxiliary contacts	0

Number of connected CO contacts / for auxiliary contacts	0
Number of CO contacts / for auxiliary contacts	4
Number of NC contacts / for auxiliary contacts	0
Number of NO contacts / for auxiliary contacts	0

### Suitability

#### Suitability for use

• Main switch	Yes
• switch disconnecter	Yes
• EMERGENCY OFF switch	Yes
• safety switch	Yes
• maintenance/repair switch	Yes

### Product details

Product feature / interlock	No
Product component	
• Trip indicator	No
• Voltage trigger	No
• undervoltage release	No
• undervoltage release with leading contact	No
Product extension	
• Auxiliary switch	Yes
• optional	
— motor drive	No
— Voltage trigger	No

### Short circuit

Short-time withstand current (I <sub>cw</sub> ) / at AC 1000 V/DC 440 V / limited to 1 s / rated value	3 kA
• Making capacity short-circuit current (I <sub>cm</sub> ) / for switch disconnecter / at AC 1000 V / without fuse link / rated value / minimum	7 kA
• Making capacity short-circuit current (I <sub>cm</sub> ) / for switch disconnecter / at DC 440 V / without fuse link / rated value / minimum	7 kA
• Short-circuit current making capacity (I <sub>cm</sub> ) / for switch disconnecter / without fuse link / rated value / minimum	7 kA
Conditional short-circuit current / with line-side fuse protection	
• at 500 V / by gG fuse / rated value	100 kA
• at 690 V / by gG fuse / rated value	100 kA

### Connections

#### Type of electrical connection

--	--

- for main current circuit

box terminal

## Mechanical Design

Height	119 mm
Width	94 mm
Depth	68 mm
Mounting type	Screw fixing and standard rail mounting 35 mm
Mounting type	
<ul style="list-style-type: none"> <li>• front mounting with 4-hole attachment</li> </ul>	No
<ul style="list-style-type: none"> <li>• front mounting with central attachment</li> </ul>	No
<ul style="list-style-type: none"> <li>• rail mounting</li> </ul>	Yes
Mounting position	any
Net weight	788 g

## Certificates

Reference code	
<ul style="list-style-type: none"> <li>• acc. to DIN EN 61346-2</li> </ul>	Q
<ul style="list-style-type: none"> <li>• acc. to DIN EN 81346-2</li> </ul>	Q

General Product Approval	Declaration of Conformity	Shipping Approval	other
--------------------------	---------------------------	-------------------	-------



[Miscellaneous](#)



[Miscellaneous](#)

## Further information

**Information- and Downloadcenter (Catalogs, Brochures,...)**

<http://www.siemens.com/lowvoltage/catalogs>

**Industry Mall (Online ordering system)**

<https://mall.industry.siemens.com/mall/en/en/Catalog/product?mlfb=3KD2630-2ME10-0>

**Service&Support (Manuals, Certificates, Characteristics, FAQs,...)**

<https://support.industry.siemens.com/cs/ww/en/ps/3KD2630-2ME10-0>

**Image database (product images, 2D dimension drawings, 3D models, device circuit diagrams, ...)**

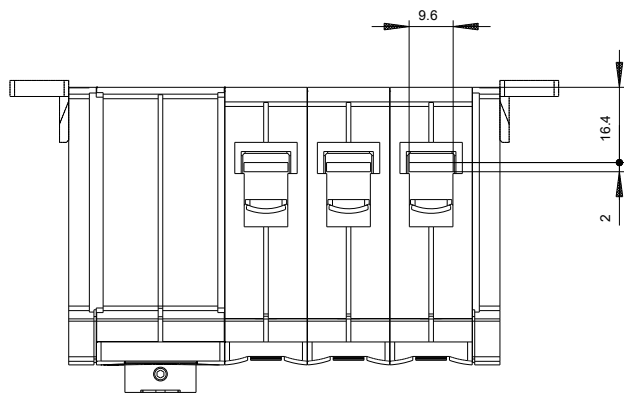
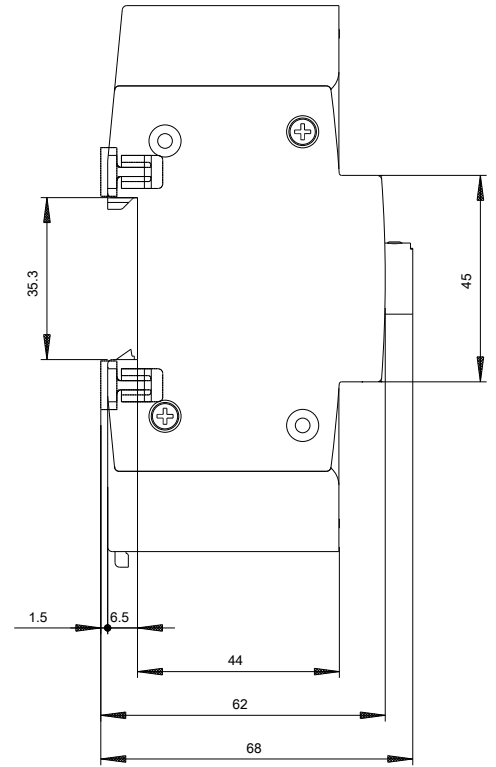
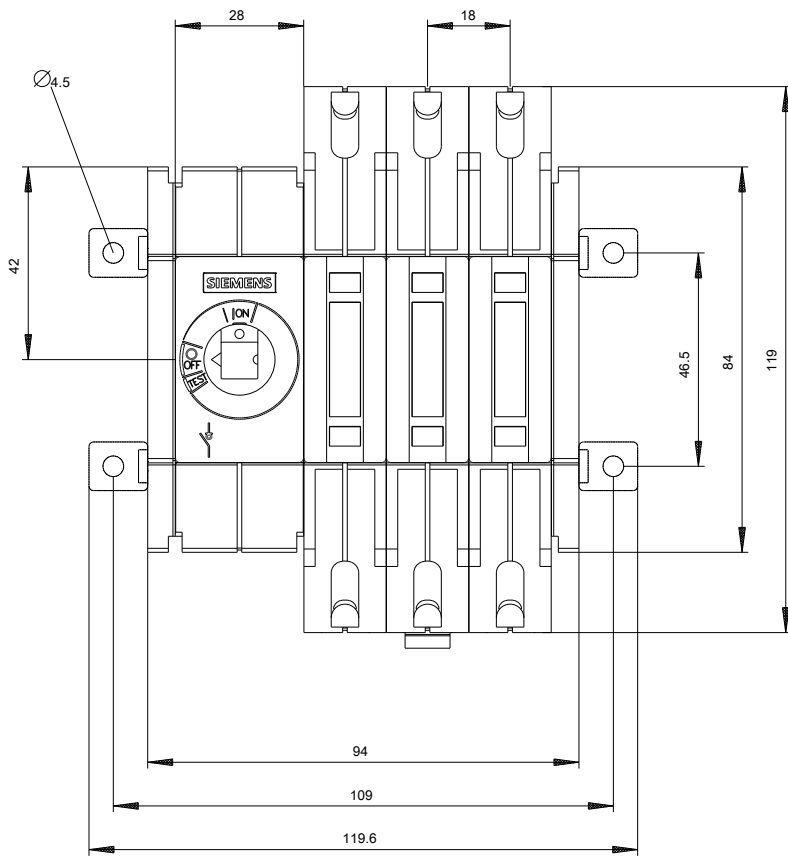
[http://www.automation.siemens.com/bilddb/cax\\_en.aspx?mlfb=3KD2630-2ME10-0](http://www.automation.siemens.com/bilddb/cax_en.aspx?mlfb=3KD2630-2ME10-0)

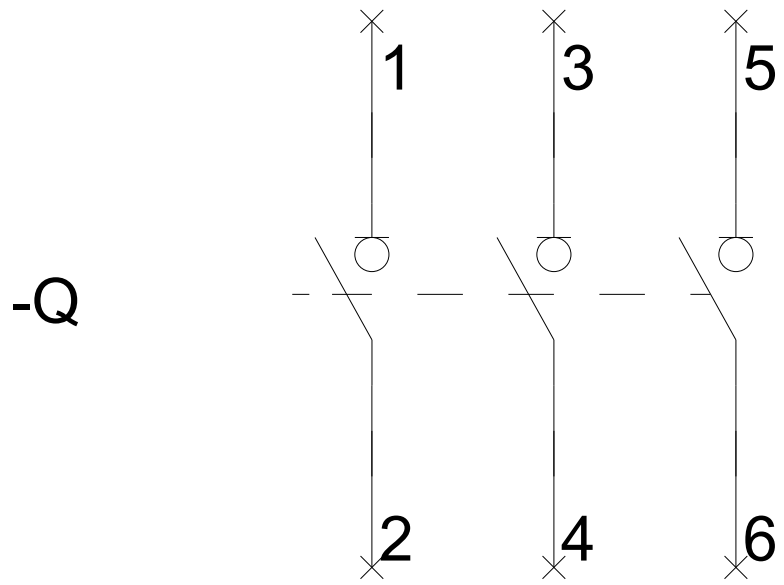
**CAX-Online-Generator**

<http://www.siemens.com/cax>

**Tender specifications**

<http://www.siemens.com/specifications>





# -CR

