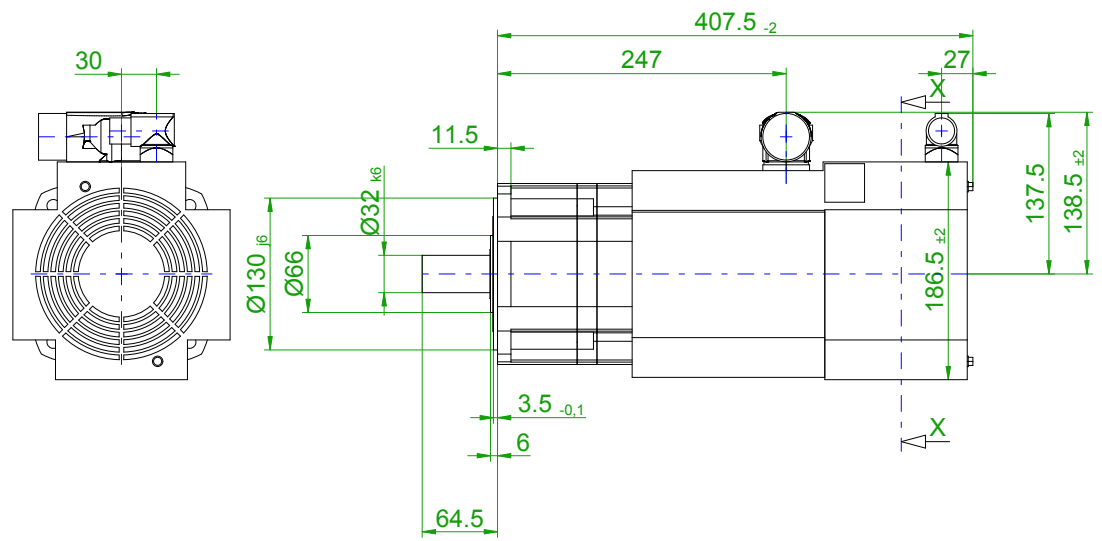
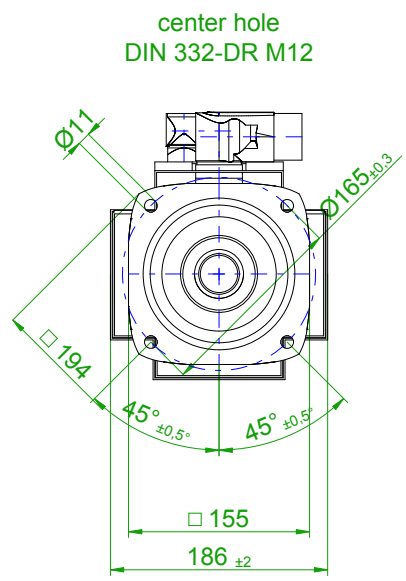


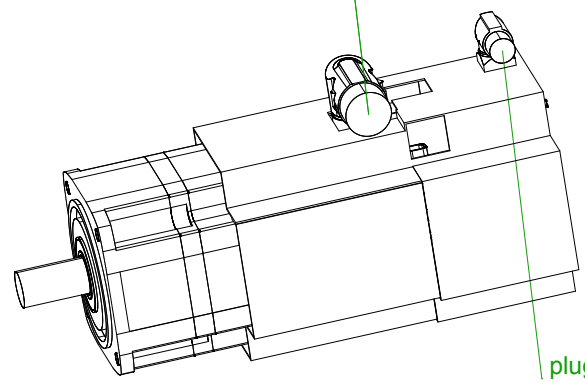
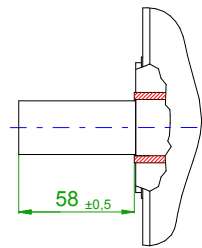
back view



front view

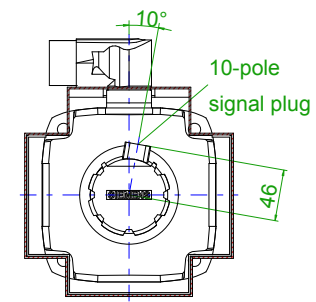


6-pole plug size 1.5 for power and brake

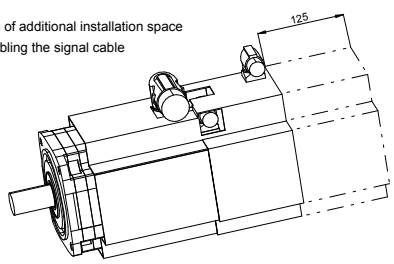


plug for fan port

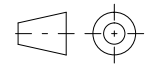
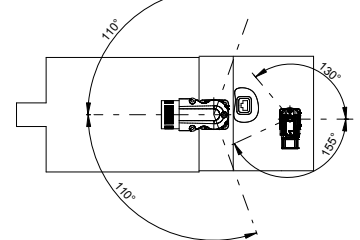
X-X



Take care of additional installation space for assembling the signal cable



rotating angle of the plug



SIEMENS

Einheit / unit: mm	Synchron-Servomotor Synchronous Servo Motor:	1FT7085-7SH70-1CH0
nicht tolerierte Maße / not toleranced dimensions:	Optionen / options:	
Maßstab / scale: ohne / without	Gewicht / mass:	36.8 kg
CAD CREATOR 2.2 (WWW-Version V02.20.00.00)	Bemerkung / notice:	
	Druckdatum / print date:	18.11.2018