

Actuator head for position switch 3SE51 Roller lever metal lever with plastic roller 22 mm functional at -40 °C



Product brand name	SIRIUS
Product designation	actuator head for position switch
Product type designation	3SE5

General technical data

Product function	
<ul style="list-style-type: none"> • positive opening 	Yes
Shock resistance	
<ul style="list-style-type: none"> • acc. to IEC 60068-2-27 • for railway applications acc. to DIN EN 61373 	30 g / 11 ms Category 1, Class B
Mechanical service life (switching cycles)	
<ul style="list-style-type: none"> • typical 	15 000 000
Material of the enclosure of the switch head	plastic
Reference code acc. to DIN EN 81346-2	T
Reference code acc. to DIN EN 61346-2	T
Active principle	mechanical
Minimum actuating force in activation direction	10 N

Enclosure

Coating of the enclosure	Other types
---------------------------------	-------------

Drive Head	
Design of the operating mechanism	Roller lever, metal lever, plastic roller
Standard-compliant actuator head	EN 50041
Shape of the switch head	roller
Outer diameter of the switch head	22 mm

Communication/ Protocol	
Design of the interface	without

Ambient conditions	
Ambient temperature	
<ul style="list-style-type: none"> during operation during storage 	-40 ... +85 °C -40 ... +90 °C
Explosion protection category for dust	none

Installation/ mounting/ dimensions	
Mounting position	any
Mounting type	lockable plug-in fixing

Certificates/ approvals		
General Product Approval	Declaration of Conformity	Test Certificates



[Miscellaneous](#)

[Type Test Certificates/Test Report](#)

other

[Confirmation](#)

Further information

Information- and Downloadcenter (Catalogs, Brochures,...)

www.siemens.com/sirius/catalogs

Industry Mall (Online ordering system)

<https://mall.industry.siemens.com/mall/en/en/Catalog/product?mlfb=3SE5000-0AE01-1AJ0>

Cax online generator

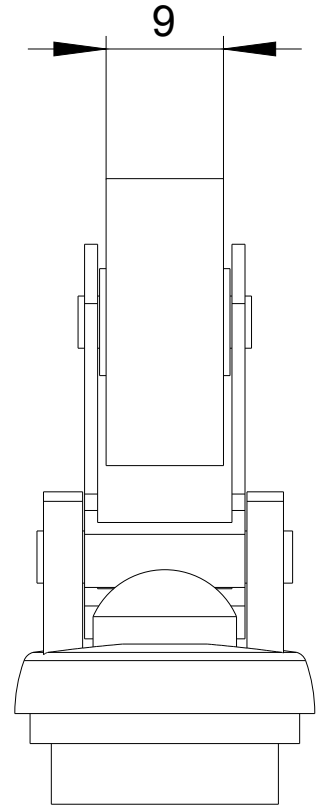
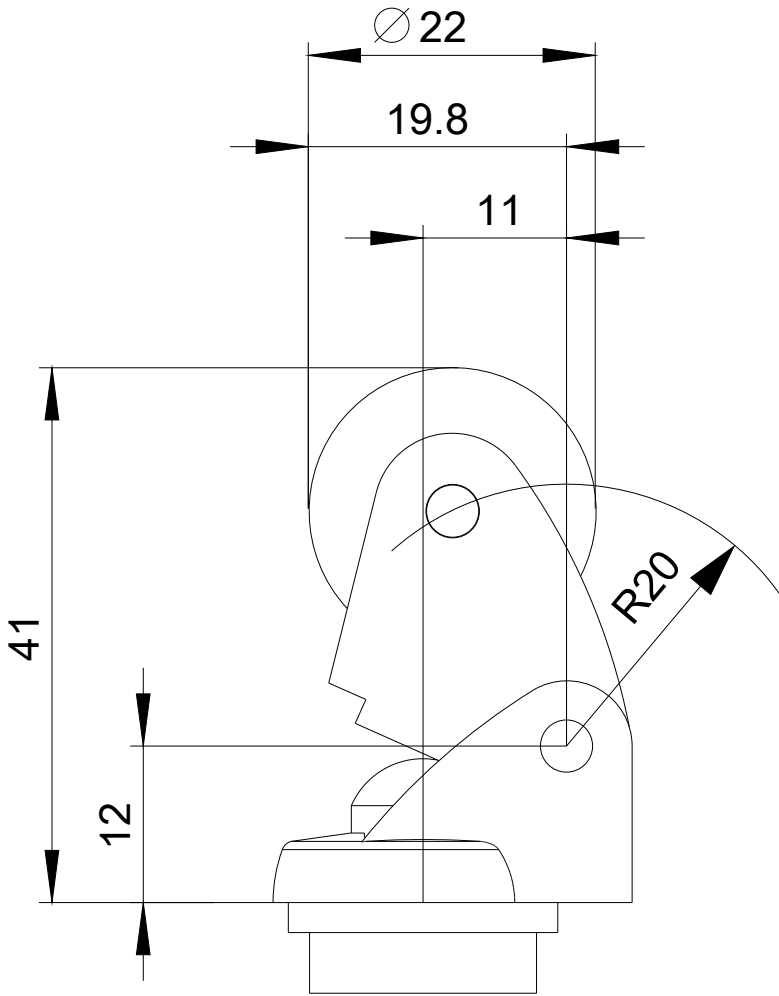
<http://support.automation.siemens.com/WW/CAXorder/default.aspx?lang=en&mlfb=3SE5000-0AE01-1AJ0>

Service&Support (Manuals, Certificates, Characteristics, FAQs,...)

<https://support.industry.siemens.com/cs/ww/en/ps/3SE5000-0AE01-1AJ0>

Image database (product images, 2D dimension drawings, 3D models, device circuit diagrams, EPLAN macros, ...)

http://www.automation.siemens.com/bilddb/cax_de.aspx?mlfb=3SE5000-0AE01-1AJ0&lang=en



last modified:

11/13/2019