

Illuminable selector switch, 22 mm, round, metal shiny, black,  
Selector switch long, 2 switch positions O<l, momentary contact type,  
Actuating angle 45°, 10:30/12, Z=50-unit packaging



|                          |                             |
|--------------------------|-----------------------------|
| Product brand name       | SIRIUS ACT                  |
| Product designation      | Selector switches           |
| Design of the product    | Actuating/signaling element |
| Product type designation | 3SU1                        |
| Product line             | Metal, shiny, 22 mm         |

| Enclosure                |   |
|--------------------------|---|
| Number of command points | 1 |

| Actuator  |   |
|---|---|
| Design of the operating mechanism                           | Selector, long  |
| Manner of function of the actuating element                 | momentary contact, 45° (10:30 h/12 h), return from center to left |
| Product extension optional Light source                     | Yes   |
| Color of the actuating element                              | black   |
| Material of the actuating element                           | plastic   |
| Shape of the actuating element                              | Handle  |
| Outer diameter of the actuating element                     | 44.8 mm   |
| Number of switching positions                               | 2   |
| Actuating angle   | 45°   |
| <ul style="list-style-type: none"> <li>clockwise</li> </ul> |   |

| Front ring                   |                   |
|------------------------------|-------------------|
| Product component front ring | Yes               |
| Design of the front ring     | standard          |
| Material of the front ring   | Metal, high gloss |
| Color of the front ring      | silver            |

| General technical data   |                                   |
|--|-----------------------------------|
| Protection class IP  | IP66, IP67, IP69(IP69K)           |
| Degree of protection NEMA rating   | 1, 2, 3, 3R, 4, 4X, 12, 13        |
| Shock resistance   |                                   |
| <ul style="list-style-type: none"> <li>acc. to IEC 60068-2-27</li> </ul> | Sinusoidal half-wave 50 g / 11 ms |
| Vibration resistance   |                                   |
| <ul style="list-style-type: none"> <li>acc. to IEC 60068-2-6</li> </ul>  | 10 ... 500 Hz: 5g                 |
| Operating frequency maximum  | 1 800 1/h                         |
| Mechanical service life (switching cycles)                               |                                   |
| <ul style="list-style-type: none"> <li>typical</li> </ul>                | 1 000 000                         |
| Reference code acc. to DIN EN 81346-2                                    | S                                 |
| Reference code acc. to DIN EN 61346-2                                    | S                                 |

| Safety related data  |         |
|--|---------|
| B10 value  |         |
| <ul style="list-style-type: none"> <li>with high demand rate acc. to SN 31920</li> </ul> | 500 000 |
| Proportion of dangerous failures   |         |
| <ul style="list-style-type: none"> <li>with low demand rate acc. to SN 31920</li> </ul>  | 20 %    |
| <ul style="list-style-type: none"> <li>with high demand rate acc. to SN 31920</li> </ul> | 20 %    |
| Failure rate [FIT]   |         |
| <ul style="list-style-type: none"> <li>with low demand rate acc. to SN 31920</li> </ul>  | 100 FIT |
| T1 value for proof test interval or service life acc. to IEC 61508                       | 20 y    |





| Ambient conditions   |   |
|--|---|
| Ambient temperature  |   |
| <ul style="list-style-type: none"> <li>during operation</li> </ul> | -25 ... +70 °C  |
| <ul style="list-style-type: none"> <li>during storage</li> </ul>   | -40 ... +80 °C  |
| Environmental category during operation acc. to IEC 60721          | 3M6, 3S2, 3B2, 3C3, 3K6 (with relative air humidity of 10 ... 95 %) |






| Installation/ mounting/ dimensions          |         |
|---|---------|
| Height                                      | 44.8 mm |
| Width                                       | 44.8 mm |
| Shape of the installation opening           | round   |
| Mounting diameter                           | 22.3 mm |
| Positive tolerance of installation diameter | 0.4 mm  |
| Mounting height                             | 28.8 mm |
| Installation width                          | 44.8 mm |

Installation depth

25.4 mm

## Certificates/ approvals

| General Product Approval  | Declaration of Conformity   | Test Certificates   |
|---|---|---|
| <br>CSA      | <br>UL |  |
| <br>EG-Konf. | <a href="#">Miscellaneous</a>   | <a href="#">Type Test Certificates/Test Report</a>                                |

| Test Certificates                        | Marine / Shipping   |
|--|---|
| <a href="#">Special Test Certificate</a> | <br>ABS    |
|  | <br>LRS    |
|  | <br>PRS    |
|  | <br>RINA |
|  | <br>RMRS |

| Marine / Shipping  | other                        |
|--|------------------------------|
| <br>DNV-GL<br>DNVGL.COM/AF | <a href="#">Confirmation</a> |

## Further information

**Information- and Downloadcenter (Catalogs, Brochures,...)**

<https://www.siemens.com/ic10>

**Industry Mall (Online ordering system)**

<https://mall.industry.siemens.com/mall/en/en/Catalog/product?mlfb=3SU1052-2CC10-0AA0-Z X90>

**Cax online generator**

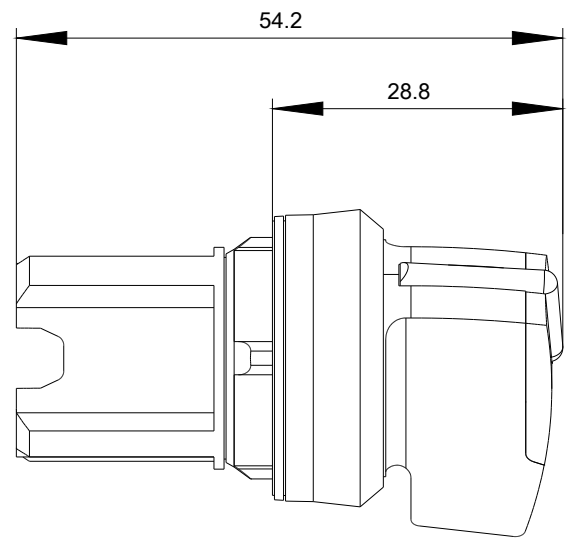
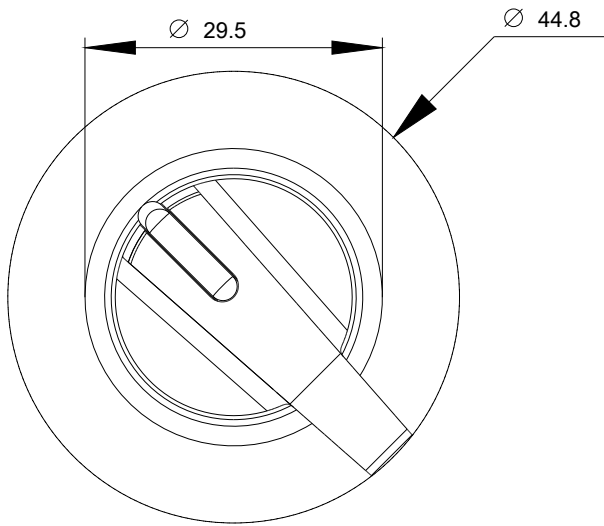
<http://support.automation.siemens.com/WW/CAXorder/default.aspx?lang=en&mlfb=3SU1052-2CC10-0AA0-Z X90>

**Service&Support (Manuals, Certificates, Characteristics, FAQs,...)**

<https://support.industry.siemens.com/cs/ww/en/ps/3SU1052-2CC10-0AA0-Z X90>

**Image database (product images, 2D dimension drawings, 3D models, device circuit diagrams, EPLAN macros, ...)**

[http://www.automation.siemens.com/bilddb/cax\\_de.aspx?mlfb=3SU1052-2CC10-0AA0-Z X90&lang=en](http://www.automation.siemens.com/bilddb/cax_de.aspx?mlfb=3SU1052-2CC10-0AA0-Z X90&lang=en)



last modified:

02/18/2020