



Duplex controller with two MCPs  
with alternator  
NEMA controller size 0  
3-Phase, 3-Pole Maximum voltage rating 600VAC  
Max Hp 60Hz: 3@200V; 3@230V; NA@460V; NA@575V  
Solid-state overload relay(s) with 5.5–22A range  
Control voltage 110VAC 50Hz / 120VAC 60Hz  
NEMA Type 4 enclosure

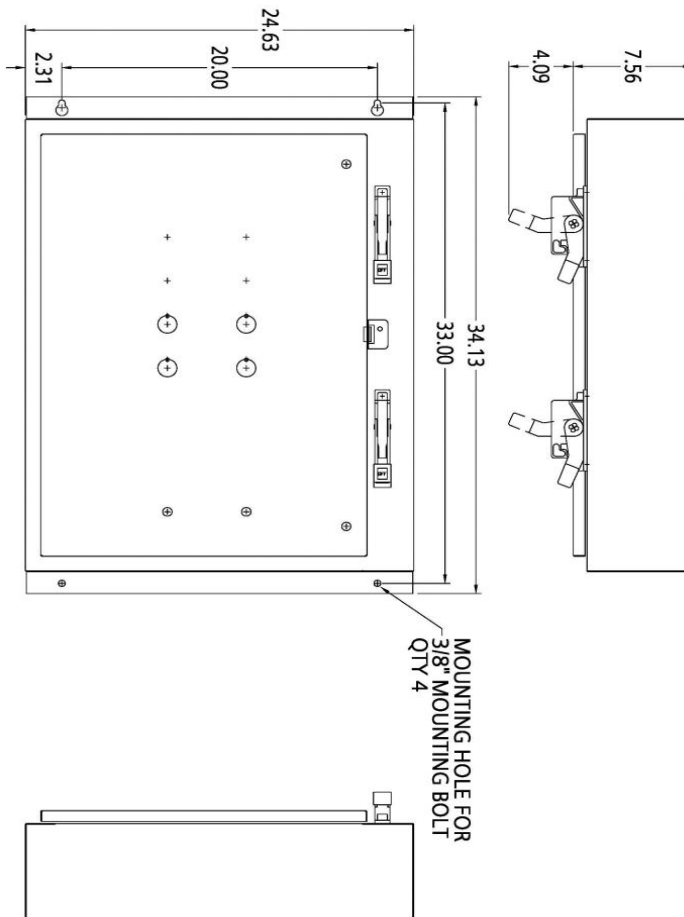


Image is representative and may not depict the actual product.

<b>General technical data:</b>	
Weight	70 lb
Height x Width x Depth	34 x 25 x 8 in.
Finger-safe (main circuit / control circuit)	NA / NA
Maximum altitude	6560 ft
Ambient storage temperature	(-30 to 65)°C / (-22 to 149)°F
Ambient operating temperature	(-20 to 40)°C / (-4 to 104)°F
Humidity (% non-condensing)	(no data)
Rated impulse voltage resistance	(no data)
Rated insulation voltage	(no data)
Country of origin	USA
<b>Contactors (each):</b>	
Number of NO main contacts	3
Amp rating	18A
Mechanical operating cycles	10,000,000
<b>Internal/standard auxiliary contact (per contactor):</b>	
Number of NC / NO auxiliary contacts	0NC / 1NO
Rating	10A@600VAC (A600), 5A@600VDC (P600)
<b>Optional auxiliary contact (per contactor):</b>	
Max number of NC / NO auxiliary contacts	8 total
Rating	10A@600VAC (A600), 5A@600VDC (P600)
<b>Coil (per contactor):</b>	
Voltage	110VAC 50Hz / 120VAC 60Hz Coil
Sealed watts	8.6W
Inrush / sealed power	218 / 25 VA
Normal coil operating limits (% of rated voltage)	85% - 110%
Typical drop-out volts (% of rated voltage)	50%
Pick-up time / Drop-out time	19-29 / 10-24 msec
<b>Overload Relay (each):</b>	
Current range	5.5–22A
Trip Class	Class 5 / 10 (factory set) / 20 / 30
Trip detection	Overload, phase failure, phase unbalance, ground fault
Phase failure sensitivity	Trip time after phase-loss: < 3 sec
Repeat accuracy	Within 1%
Reset options	Manual, automatic and remote
External reset	Yes
Test function	Electronics & manual actuation
Conformal coating on printed circuit board	Yes
Number of NC / NO auxiliary contacts	1NC / 1NO
Rating of auxiliary contacts	5A@600VAC (B600), 1A@250VDC (R300)
Single contact isolation	600V

Dual contact isolation	300V differing polarity / 600V common polarity
<b>Motor Circuit Protector (magnetic trip only):</b>	
Rating	25A
Instantaneous trip range	55 - 180A
<b>Enclosure:</b>	
Type	NEMA Type 4 enclosure
Rating	Dust-tight, watertight & weather proof
<b>Mounting/wiring:</b>	
Mounting orientation	Vertical
Mounting type	Surface
Line side connection type / torque	Box lug / (refer to actual product for torque specs)
Line side solid & stranded conductors	1x(14 AWG - 10 AWG) 75°C CU or 1x(12 AWG - 10 AWG) 75°C AL
Load side connection type / torque	Screw / 20 lb-in.
Load side solid & stranded conductors	1x(14 - 2 AWG) 75°C AL or CU
Coil connection type / torque	Screw / 5 lb in. - 12 lb in.
Coil solid & stranded conductors	2 x (16 - 12 AWG) CU 60/75°C
Main auxiliary contact connection type / torque	Screw / 10 - 15 lb-in
Main auxiliary contact solid & stranded conductors	1 x (12 AWG), 2 x (16 - 14 AWG), 2 x (18 - 16 AWG) 75°C CU
OLR auxiliary contact connection type / torque	Screw / 7 lb in. - 10 lb in.
OLR auxiliary contact solid & stranded conductors	2 x (20 - 14 AWG) CU 60/75°C
<b>Short circuit current rating:</b>	
Factory installed motor circuit protector	100kA@480V; 25kA@600V
<b>Certificates/approvals:</b>	
	<a href="#">UL (file no. E185287)</a> <a href="#">cUL (file no. E185287 for Canada)</a> <a href="#">CSA (file no. 006535 C 000)</a> <a href="#">ISO 9001 certification</a>
<b>Additional information:</b>	
	<a href="#">Brochure</a> <a href="#">OLR instruction sheet &amp; trip curves</a>

# OUTLINE 34X25X8 NEMA 3/4/4X/12



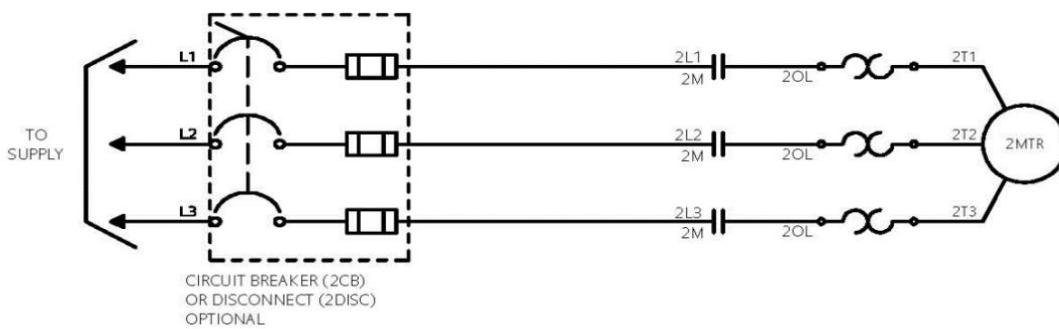
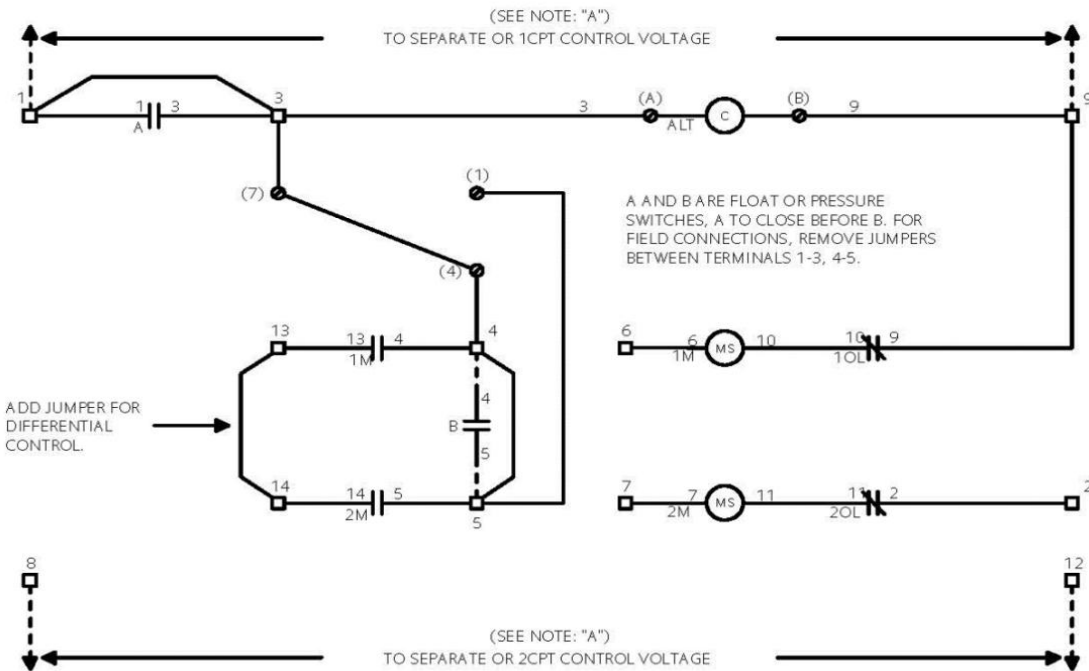
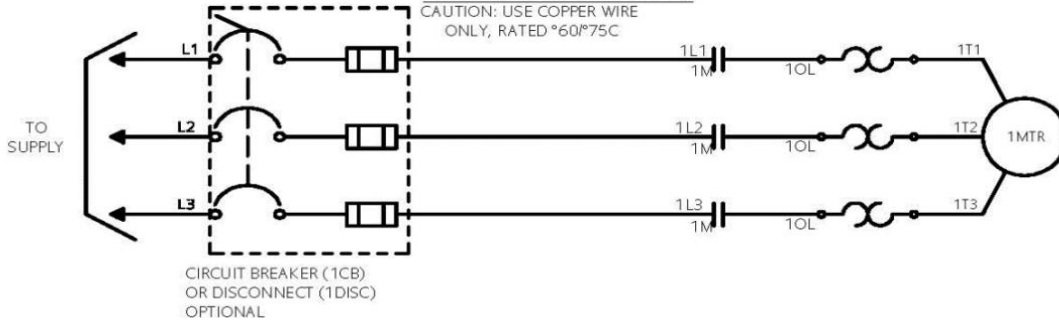
DIMENSIONS ARE IN INCHES.  
FILE NAME: SFIS-D68629002-0211

# SCHEMATIC DIAGRAM

## Class 83 & 84 Duplex W/Auto Alternation Size 0-4

### ELEMENTARY DIAGRAM

CAUTION: USE COPPER WIRE ONLY, RATED \*60\*75C



#### NOTES:

- A. FOR SEPARATE OR CPT CONTROL VOLTAGE SOURCE: CONNECT PER DOTTED LINES OR TO 1 AND 2 CPT PRIMARIES PER FACTORY OR FIELD MODIFICATIONS.
- B. FOR PROTECTION OF INTERNAL CONTROL CIRCUIT CONDUCTORS IN ACCORDANCE WITH THE N.E.C., USE FUSE KIT 49MAFB4.
- C. TO USE THIS CONTROLLER W/O SELECTOR SWITCHES, JUMPER BETWEEN THE FOLLOWING PAIRS OF TERMINALS 4-6, 5-7, AND 9-2.
- D. FOR TWO POSITION SELECTOR SWITCHES, WIRE AS SHOWN ALSO ADD JUMPER BETWEEN TERMINALS 9-2.
- E. SEPARATE SOURCE CONNECTIONS TO TERMINALS 8 AND 12 ARE REQUIRED ONLY WHEN THREE POSITION SELECTOR SWITCH IS BUILT IN.

REF. D68077001