

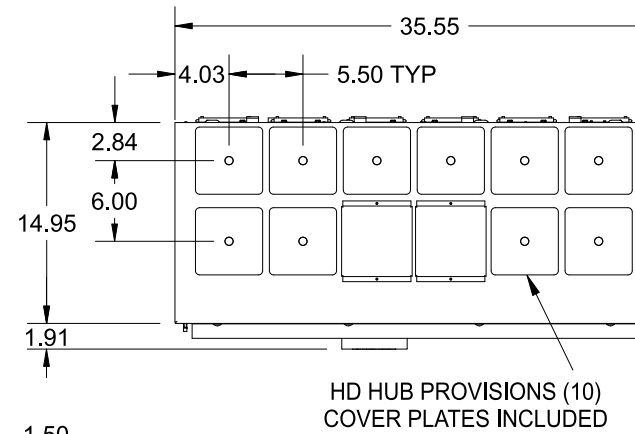
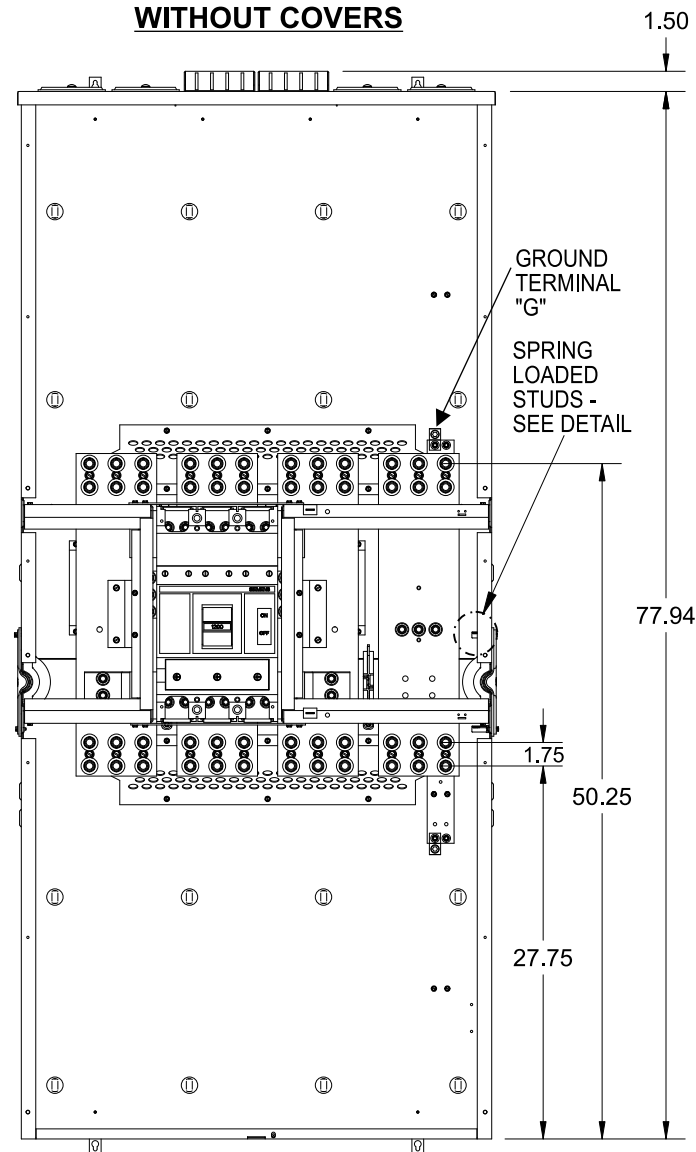
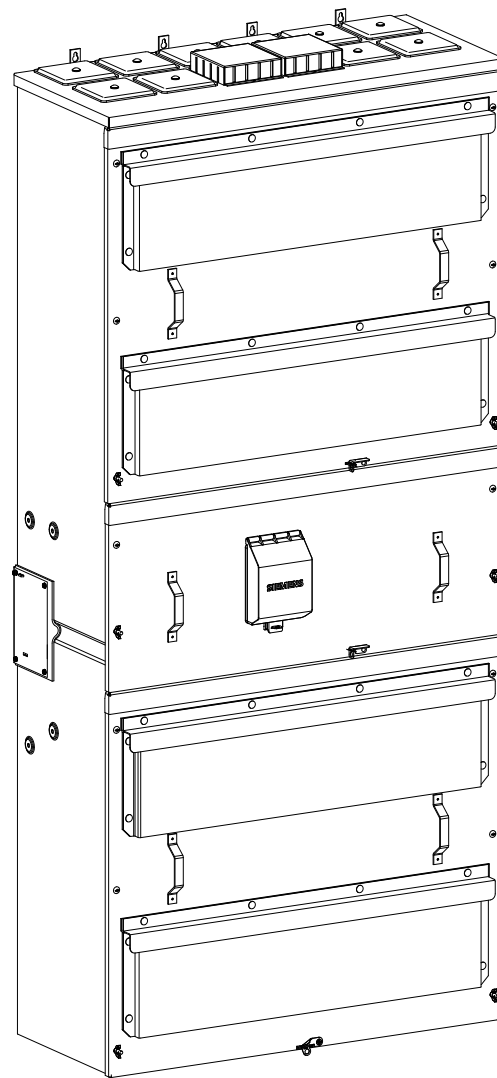
## Catalog Numbers

Catalog No.	Breaker Rating(Max)	Breaker Type	Interrupting Rating(Max)
WBT324X700	700A	MXD6	65,000
WBT324X700U	700A	HMXD6	100,000
WBT324X800	800A	MXD6	65,000
WBT324X800U	800A	HMXD6	100,000
WBT324X900	900A	NXD6	65,000
WBT324X900U	900A	HNXD6	100,000
WBT324X1000	1000A	NXD6	65,000
WBT324X1000U	1000A	HNXD6	100,000
WBT324X1200	1200A	NXD6	65,000
WBT324X1200U	1200A	HNXD6	100,000

## Features and Ratings

- MODULE RATING: 2400 AMPS
- MAIN VERTICAL BUS RATING: 2400 AMPS
- MAIN HORIZONTAL BUS RATING: SEE BREAKER RATING
- 208Y/120 VAC, 3 PHASE, 4 WIRE
- 240/120 VAC, 3 PHASE, 4 WIRE, DELTA (B PHASE IS HIGH LEG)
- TYPE 3R OUTDOOR ENCLOSURE
- FOR UNDERGROUND SERVICE ONLY
- FEED THRU TERMINAL LANDINGS

VIEW SHOWN  
WITHOUT COVERS



HD HUB PROVISIONS (10)  
COVER PLATES INCLUDED

## Lug Kits and Replacement Parts

Lugs for Phase and Neutral Connections (not supplied)					
Lug No. ①	MFG	Wire Range	Type	No. Wires per phase	Torque (lb.-in.)
LK36750N2	Siemens	300-750 kcmil	Mechanical	6	500
LK38500N2C	Siemens	300-500 kcmil Copper	Mechanical	8	500
LK38750N2A	Siemens	300-750 kcmil Aluminum	Mechanical	8	500
2ACL-750	ILSCO	750 kcmil	Compression	6	NA ②

- ① Order one mechanical lug kit for mains and neutral. Additional lug kit is required for feed-thru terminals. Contact lug manufacturer for compression lug quantities supplied for each kit.  
② See lug manufacturer's instruction sheet supplied with the connector for tool, die, and number of crimps.

## Additional Modules

FOR USE WITH: Module Description	Siemens Series#
Main Breakers	WB, WXB
Switches	WMP, WS
Tap/Terminal Boxes	WTB, WTBN
Meter Module	(W)MM, (W)MT, (W)ML, (W)MK, WMN
Meter Combinations	WC, WCL, WCT
Extension Box/Surge	WSP, WSPD
Bussed Elbow	BE

## Accessories

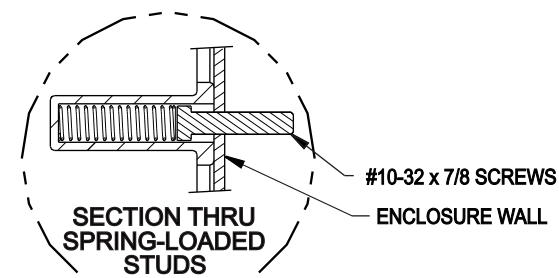
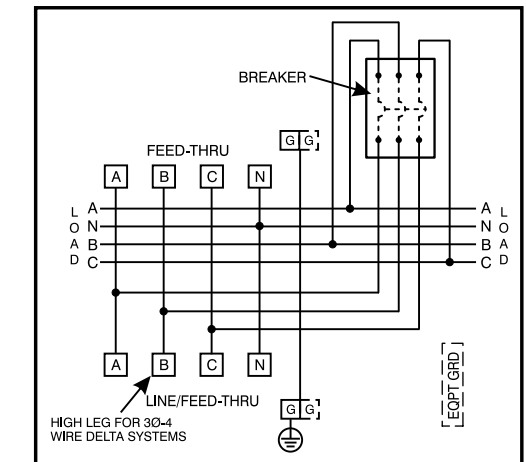
ECMMGBE - Ground Bus Extension  
Ground Terminal G  
(Accessory Cat.# ECMLK3225):  
Wire size #4-300 kcmil. Torque terminal to 250 lb.-in.

Connect Modules Using:	Catalog Number / Torque
QuickConnect	QC4, Torque 400-440 lb-in (35-36 ft.-lb.)

Equip Ground Acc'y Cat. No. ECLX072M	Small Terminals	Large Terminals
	Wire Range / Torque	Wire Range / Torque
	10-14 AWG 20 lb-in	10-14 AWG 35 lb-in
	8 AWG . . . . 25 lb-in	8 AWG . . . . 40 lb-in
	6 AWG . . . . 35 lb-in	1/0-6 AWG . 45 lb-in

Siemens Accessories	Catalog Number
Hub Cover Plate	EC56933S
Type HD Hub 3"	EC56856
Type HD Hub 3-1/2"	EC56857
Type HD Hub 4"	EC56858

## Schematic



Catalog No. WBT324X1200 Shown

