



Reduced voltage pump panel with fusible disconnect
Two step part winding
NEMA controller size 4
Maximum voltage rating 600VAC
Max Hp 60Hz: NA@200V; NA@230V; 150@460V; NA@575V
Solid-state overload relay
Control voltage 110VAC 50Hz / 120VAC 60Hz
NEMA Type 3/3R enclosure



Image is representative and may not depict the actual product.

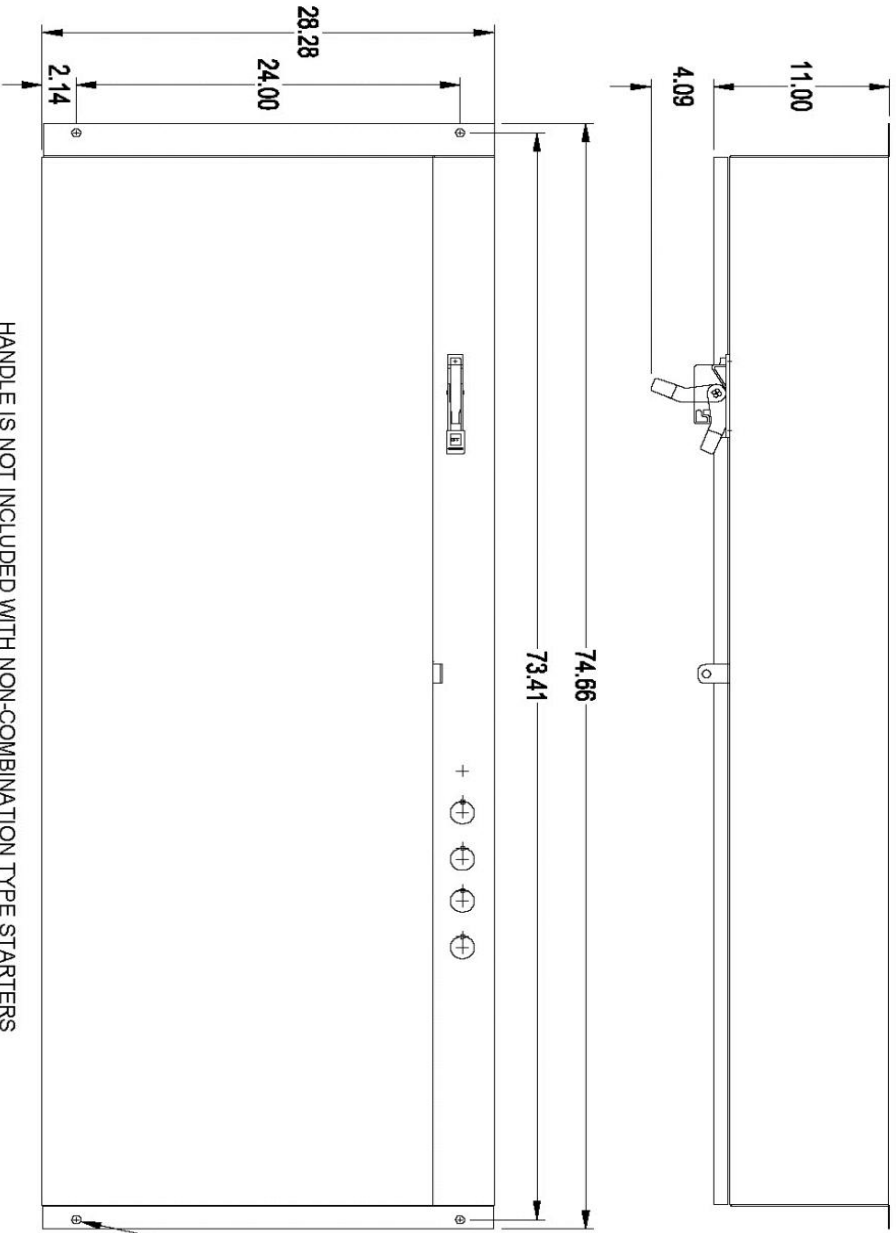
General technical data:	
Weight	213 lb
Height x Width x Depth	75 x 28 x 11 in.
Finger-safe (main circuit / control circuit)	NA / NA
Maximum altitude	6560 ft
Ambient storage temperature	(-30 to 65)°C / (-22 to 149)°F
Ambient operating temperature	(-20 to 40)°C / (-4 to 104)°F
Humidity (% non-condensing)	(no data)
Rated impulse voltage resistance	(no data)
Rated insulation voltage	(no data)
Country of origin	USA
Contactors:	
Number of NO main contacts	3
Amp rating	135A
Mechanical operating cycles	5,000,000
Internal/standard auxiliary contact:	
Number of NC / NO auxiliary contacts	0NC / 1NO
Rating	10A@600VAC (A600), 5A@600VDC (P600)
Optional auxiliary contact:	
Max number of NC / NO auxiliary contacts	7 total
Rating	10A@600VAC (A600), 5A@600VDC (P600)
Coil:	
Voltage	110VAC 50Hz / 120VAC 60Hz Coil
Sealed watts	22W
Inrush / sealed power	510 / 51 VA
Normal coil operating limits (% of rated voltage)	85% - 110%
Typical drop-out volts (% of rated voltage)	50%
Pick-up time / Drop-out time	18-34 / 10-12 msec
Overload Relay:	
Current range	50–200A
Trip Class	Class 5 / 10 (factory set) / 20 / 30
Trip detection	Overload, phase failure, phase unbalance, ground fault
Phase failure sensitivity	Trip time after phase-loss: < 3 sec
Repeat accuracy	Within 1%
Reset options	Manual, automatic and remote
External reset	Yes
Test function	Electronics & manual actuation
Conformal coating on printed circuit board	Yes
Number of NC / NO auxiliary contacts per overload relay	1NC / 1NO
Rating of auxiliary contacts	5A@600VAC (B600), 1A@250VDC (R300)
Single contact isolation	600V
Dual contact isolation	300V differing polarity / 600V common polarity

Disconnect Switch:	
Rating	400A with 400A/600V Class R fuse clips
Fuse type accepted	Class R
Enclosure:	
Type	NEMA Type 3/3R enclosure
Rating	Weather proof for outdoor use
Mounting/wiring:	
Mounting orientation	Vertical
Mounting type	Surface
Line side connection type / torque	Box lug / (refer to actual product for torque specs)
Line side solid & stranded conductors	2x(3/0 - 500 kcmil) 75°C CU or 2x(4/0 - 500 kcmil) 75°C AL
Load side connection type / torque	Box lug / 200 lb-in.
Load side solid & stranded conductors	1x(6 AWG - 250 MCM) 75°C CU
Coil connection type / torque	Screw / 5 lb in. - 12 lb in.
Coil solid & stranded conductors	2 x (16 - 12 AWG) CU 60/75°C
Main auxiliary contact connection type / torque	Screw / 10 - 15 lb-in
Main auxiliary contact solid & stranded conductors	1 x (12 AWG), 2 x (16 - 14 AWG), 2 x (18 - 16 AWG) 75°C CU
OLR auxiliary contact connection type / torque	Screw / 7 lb in. - 10 lb in.
OLR auxiliary contact solid & stranded conductors	2 x (20 - 14 AWG) CU 60/75°C
Short circuit current rating:	
Fuses	10kA@600V (Class H or K); 100kA@600V (Class R or J)
Certificates/approvals:	
	UL (file no. E185287)
	cUL (file no. E185287 for Canada)
	CSA (file no. 006535_C_000)
	ISO 9001 certification
Additional information:	
	Brochure
	OLR instruction sheet & trip curves

SIEMENS

49EB36JE722911 Outline 72X29X11 NEMA 3R,4,12
49EB36JW722911 Outline 72X29X11 NEMA 4X

E87010-A0321-T005-A4-49EB



HANDLE IS NOT INCLUDED WITH NON-COMBINATION TYPE STARTERS

DIMENSIONS ARE IN INCHES.

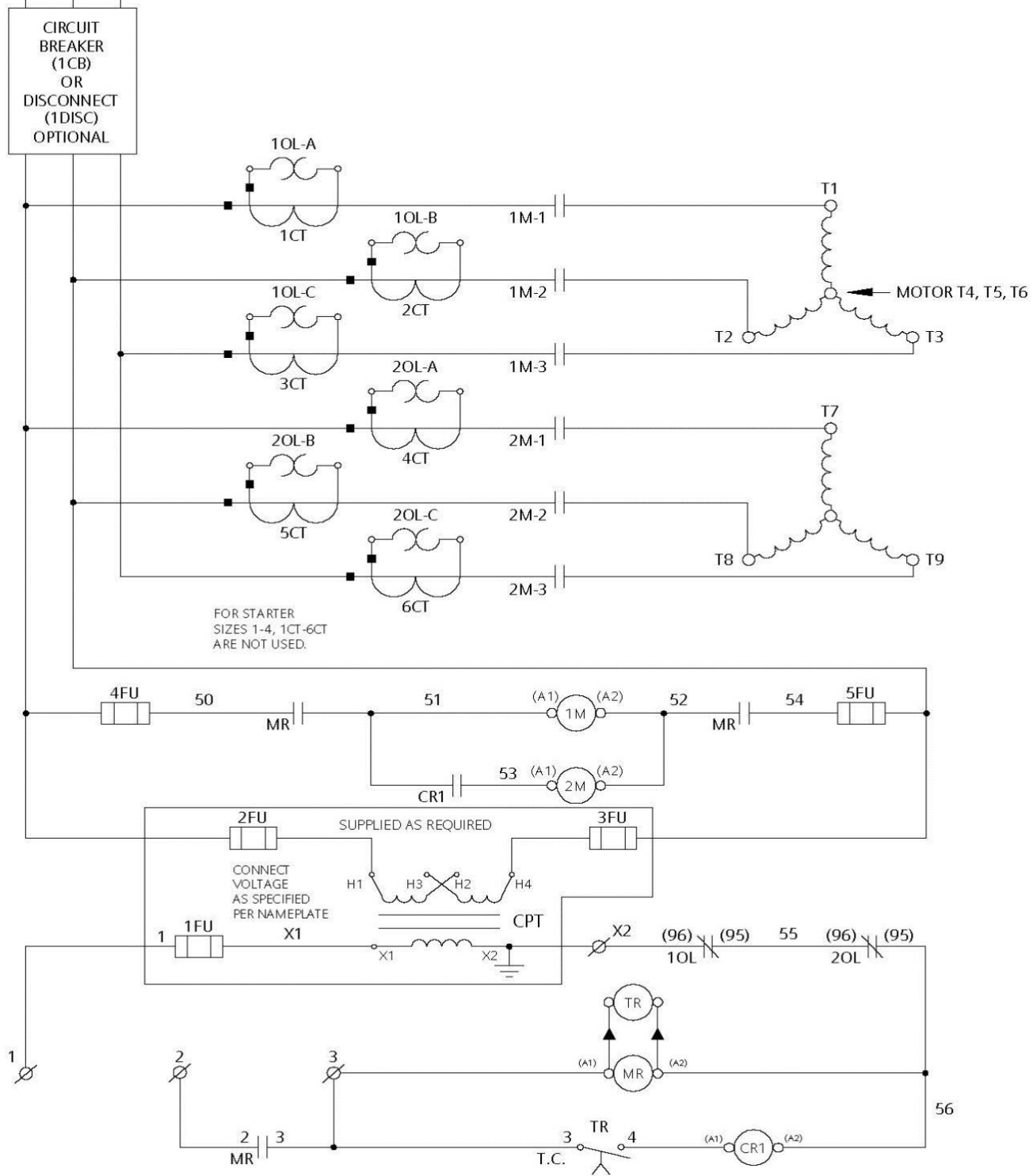
MOUNTING HOLES FOR
1/4" SCREWS QTY. 4

SEE NOTE A
3 PHASE 50/60 HZ

L1 L2 L3

SCHEMATIC DIAGRAM

Class 36, 37, 88 Part Winding Size 1-7



REF. D68854008