

30mm Command/52, Chrome Finish Heavy Duty, Watertight/Oiltight Complete Metal Unit Illuminated Push-Pull Operator Transformer type, 480V AC LED Lamp Mushroom Head Cap Small 1 3/4" (44.5 mm) Metal, Chrome with Amber Lens 3 Position Pull-Momentary/ Push-Maintained 1 N.C.+1 N.C. Extra Late Break Heavy Duty Contacts, A600/P600 UL Listed, CSA Certified NEMA 1,3,3R,4,4X,12,13 & Automotive Standards

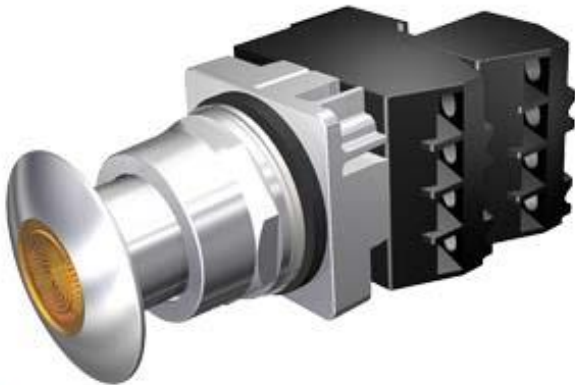


Figure similar

Enclosure	
Number of command points	1
Delivery state	
• as a kit	No
Actuator	
Product extension optional Light source	Yes
Number of contact modules	2
Type of unlocking device	pull-to-unlatch mechanism
Number of switching positions	3
Front ring	
Product component front ring	Yes
Design of the front ring	standard
Material of the front ring	metal
Contact block/ lampholder	
Number of lampholders	1
Display	

Number of LED modules	1
-----------------------	---

### General technical data

<b>Product function</b>	
• positive opening	No
<b>Product component</b>	
• lamp transformer	Yes
• Light source	Yes
<b>Insulation voltage</b>	
• rated value	600 V
<b>Type of voltage</b>	
• of the operating voltage	AC
• of the input voltage	AC
<b>Surge voltage resistance rated value</b>	4 kV
<b>Protection class IP</b>	IP66
• of the terminal	IP20
<b>Thermal current</b>	10 A

### Supply voltage

<b>Type of voltage of the supply voltage</b>	
• of the light source	AC
<b>Supply voltage of the light source at AC</b>	
• at 60 Hz rated value	6 V

### Auxiliary circuit

<b>Number of NC contacts for auxiliary contacts</b>	2
<b>Number of NO contacts for auxiliary contacts</b>	0
<b>Operating current at AC-15</b>	
• at 110 V rated value	60 A
• at 230 V rated value	30 A
• at 400 V rated value	15 A
• at 500 V rated value	12 A

### Inputs/ Outputs

<b>Output voltage 1 of the lamp transformer rated value</b>	6 V
---	-----

### Connections/ Terminals

<b>Type of electrical connection</b>	screw-type terminals
<b>Tightening torque of the screws in the bracket</b>	20 N·m
<b>Tightening torque [lbf·in]</b>	
• with screw-type terminals	8 ... 8 lbf·in

### Lamp

<b>Color of the light source</b>	yellow
----------------------------------	--------

### Ambient conditions

<b>Ambient temperature</b>	
----------------------------	--

- during operation
- during storage

-35 ... +70 °C

-40 ... +85 °C

## Installation/ mounting/ dimensions

**Shape of the installation opening**

round

## Certificates/ approvals

## Further information

**Information- and Downloadcenter (Catalogs, Brochures,...)**

<https://www.siemens.com/ic10>

**Industry Mall (Online ordering system)**

<https://mall.industry.siemens.com/mall/en/en/Catalog/product?mlfb=US2:52PP7J9UB>

**Cax online generator**

<http://support.automation.siemens.com/WW/CAXorder/default.aspx?lang=en&mlfb=US2:52PP7J9UB>

**Service&Support (Manuals, Certificates, Characteristics, FAQs,...)**

<https://support.industry.siemens.com/cs/ww/en/ps/US2:52PP7J9UB>

**Image database (product images, 2D dimension drawings, 3D models, device circuit diagrams, EPLAN macros, ...)**

[http://www.automation.siemens.com/bilddb/cax\\_de.aspx?mlfb=US2:52PP7J9UB&lang=en](http://www.automation.siemens.com/bilddb/cax_de.aspx?mlfb=US2:52PP7J9UB&lang=en)

**last modified:**

02/14/2020