

Selector switch, illuminable, 22 mm, round, plastic, white, selector switch, short, 2 switch positions O<I, momentary contact type, Actuating angle 45°, 10:30h/12h Z=50-unit packaging



|                          |                             |
|--------------------------|-----------------------------|
| Product brand name       | SIRIUS ACT                  |
| Product designation      | Selector switches           |
| Design of the product    | Actuating/signaling element |
| Product type designation | 3SU1                        |
| Product line             | Plastic, black, 22 mm       |

| Enclosure                |   |
|--------------------------|---|
| Number of command points | 1 |

| Actuator  |   |
|---|---|
| Design of the operating mechanism                           | Selector, short   |
| Manner of function of the actuating element                 | momentary contact, 45° (10:30 h/12 h), return from center to left |
| Product extension optional Light source                     | Yes   |
| Color of the actuating element                              | white   |
| Material of the actuating element                           | plastic   |
| Shape of the actuating element                              | Handle  |
| Outer diameter of the actuating element                     | 32.3 mm   |
| Number of switching positions                               | 2   |
| Actuating angle   | 45°   |
| <ul style="list-style-type: none"> <li>clockwise</li> </ul> |   |

| Front ring                   |          |
|------------------------------|----------|
| Product component front ring | Yes      |
| Design of the front ring     | standard |
| Material of the front ring   | plastic  |
| Color of the front ring      | black    |

| General technical data                     |  |
|--|--|
| Protection class IP                        | IP66, IP67, IP69(IP69K)  |
| Degree of protection NEMA rating           | NEMA 1, 2, 3, 3R, 4, 4X, 12, 13  |
| Shock resistance                           | <ul style="list-style-type: none"> <li>acc. to IEC 60068-2-27</li> <li>for railway applications acc. to DIN EN 61373</li> </ul> Sinusoidal half-wave 50 g / 11 ms<br>Category 1, Class B |
| Vibration resistance                       | <ul style="list-style-type: none"> <li>acc. to IEC 60068-2-6</li> <li>for railway applications acc. to DIN EN 61373</li> </ul> 10 ... 500 Hz: 5g<br>Category 1, Class B                  |
| Operating frequency maximum                | 1 800 1/h  |
| Mechanical service life (switching cycles) | <ul style="list-style-type: none"> <li>typical</li> </ul> 1 000 000  |
| Reference code acc. to DIN EN 81346-2      | S  |
| Reference code acc. to DIN EN 61346-2      | S  |

| Safety related data  |  |
|--|--|
| B10 value  | <ul style="list-style-type: none"> <li>with high demand rate acc. to SN 31920</li> </ul> 500 000   |
| Proportion of dangerous failures                                   | <ul style="list-style-type: none"> <li>with low demand rate acc. to SN 31920</li> <li>with high demand rate acc. to SN 31920</li> </ul> 20 %<br>20 % |
| Failure rate [FIT]   | <ul style="list-style-type: none"> <li>with low demand rate acc. to SN 31920</li> </ul> 100 FIT  |
| T1 value for proof test interval or service life acc. to IEC 61508 | 20 y   |

| Ambient conditions  |   |
|---|---|
| Ambient temperature                                       | <ul style="list-style-type: none"> <li>during operation</li> <li>during storage</li> </ul> -25 ... +70 °C<br>-40 ... +80 °C |
| Environmental category during operation acc. to IEC 60721 | 3M6, 3S2, 3B2, 3C3, 3K6 (with relative air humidity of 10 ... 95 %)   |

| Installation/ mounting/ dimensions          |         |
|---|---------|
| Height                                      | 32.3 mm |
| Width                                       | 32.3 mm |
| Shape of the installation opening           | round   |
| Mounting diameter                           | 22.3 mm |
| Positive tolerance of installation diameter | 0.4 mm  |

|                    |         |
|--------------------|---------|
| Mounting height    | 28.8 mm |
| Installation width | 32.3 mm |
| Installation depth | 25.4 mm |

### Certificates/ approvals

|                          |                           |                   |
|--------------------------|---------------------------|-------------------|
| General Product Approval | Declaration of Conformity | Test Certificates |
|--------------------------|---------------------------|-------------------|



[Miscellaneous](#)

[Type Test Certificates/Test Report](#)

|                   |                   |
|-------------------|-------------------|
| Test Certificates | Marine / Shipping |
|-------------------|-------------------|

[Special Test Certificate](#)



|                   |       |
|-------------------|-------|
| Marine / Shipping | other |
|-------------------|-------|



[Confirmation](#)

### Further information

**Information- and Downloadcenter (Catalogs, Brochures,...)**

<https://www.siemens.com/ic10>

**Industry Mall (Online ordering system)**

<https://mall.industry.siemens.com/mall/en/en/Catalog/product?mlfb=3SU1002-2BC60-0AA0-Z X90>

**Cax online generator**

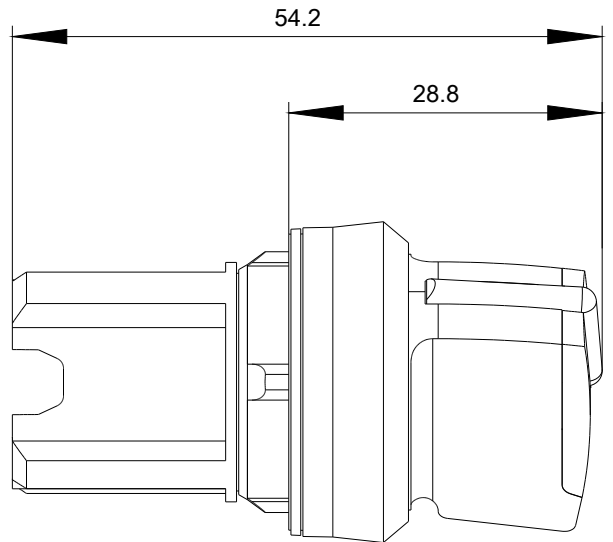
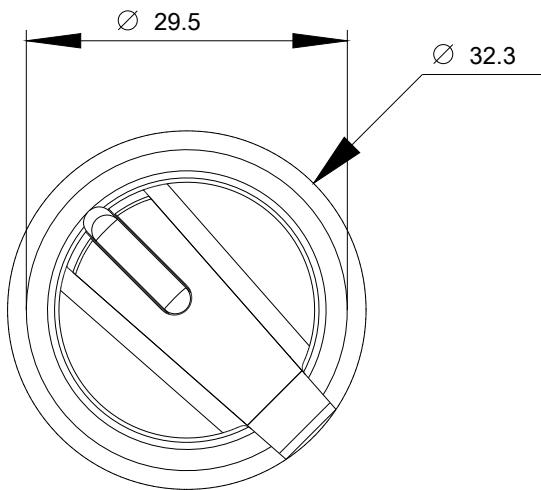
<http://support.automation.siemens.com/WW/CAXorder/default.aspx?lang=en&mlfb=3SU1002-2BC60-0AA0-Z X90>

**Service&Support (Manuals, Certificates, Characteristics, FAQs,...)**

<https://support.industry.siemens.com/cs/ww/en/ps/3SU1002-2BC60-0AA0-Z X90>

**Image database (product images, 2D dimension drawings, 3D models, device circuit diagrams, EPLAN macros, ...)**

[http://www.automation.siemens.com/bilddb/cax\\_de.aspx?mlfb=3SU1002-2BC60-0AA0-Z X90&lang=en](http://www.automation.siemens.com/bilddb/cax_de.aspx?mlfb=3SU1002-2BC60-0AA0-Z X90&lang=en)



last modified:

02/06/2020