

30mm Command/52, Chrome Finish Heavy Duty, Watertight/Oiltight Complete Metal Unit Illuminated Push-Pull Operator Full Voltage, 12V AC/DC Incandescent Lamp Mushroom Head Cap Small 1 3/4" (44.5 mm) Metal, Chrome with Amber Lens 2 Position Maintained, Pull-to-Release with 1 N.O. - 1 N.C. Heavy Duty Contacts, A600/P600 UL Listed, CSA Certified NEMA 1,3,3R,4,4X,12,13 & Automotive Standards

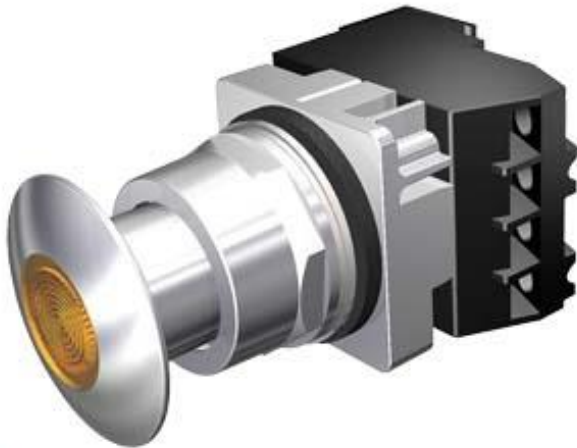


Figure similar

Enclosure	
Number of command points	1
Delivery state	
• as a kit	No
Actuator	
Product extension optional Light source	Yes
Number of contact modules	1
Type of unlocking device	pull-to-unlatch mechanism
Number of switching positions	2
Front ring	
Product component front ring	Yes
Design of the front ring	standard
Material of the front ring	metal
Contact block/ lampholder	
Number of lampholders	1
Display	

Number of LED modules	0
-----------------------	---

General technical data

Product function	
• positive opening	Yes
Product component	
• lamp transformer	No
• Light source	Yes
Insulation voltage	
• rated value	600 V
Type of voltage	
• of the operating voltage	AC/DC
• of the input voltage	AC/DC
Surge voltage resistance rated value	4 kV
Protection class IP	IP66
• of the terminal	IP20
Thermal current	10 A

Supply voltage

Type of voltage of the supply voltage	
• of the light source	AC/DC
Supply voltage of the light source at AC	
• at 60 Hz rated value	12 V
Supply voltage of the light source at DC	
• rated value	12 V

Auxiliary circuit

Number of NC contacts for auxiliary contacts	1
Number of NO contacts for auxiliary contacts	1
Operating current at AC-15	
• at 110 V rated value	60 A
• at 230 V rated value	30 A
• at 400 V rated value	15 A
• at 500 V rated value	12 A

Connections/ Terminals

Type of electrical connection	screw-type terminals
Tightening torque of the screws in the bracket	20 N·m
Tightening torque [lbf·in]	
• with screw-type terminals	8 ... 8 lbf·in

Lamp

Color of the light source	clear
----------------------------------	-------

Ambient conditions

Ambient temperature	
----------------------------	--

- during operation
- during storage

-35 ... +70 °C

-40 ... +85 °C

Installation/ mounting/ dimensions

Shape of the installation opening

round

Certificates/ approvals

Further information

Information- and Downloadcenter (Catalogs, Brochures,...)

<https://www.siemens.com/ic10>

Industry Mall (Online ordering system)

<https://mall.industry.siemens.com/mall/en/en/Catalog/product?mlfb=US2:52PP2C9A>

Cax online generator

<http://support.automation.siemens.com/WW/CAXorder/default.aspx?lang=en&mlfb=US2:52PP2C9A>

Service&Support (Manuals, Certificates, Characteristics, FAQs,...)

<https://support.industry.siemens.com/cs/ww/en/ps/US2:52PP2C9A>

Image database (product images, 2D dimension drawings, 3D models, device circuit diagrams, EPLAN macros, ...)

http://www.automation.siemens.com/bilddb/cax_de.aspx?mlfb=US2:52PP2C9A&lang=en

last modified:

02/14/2020