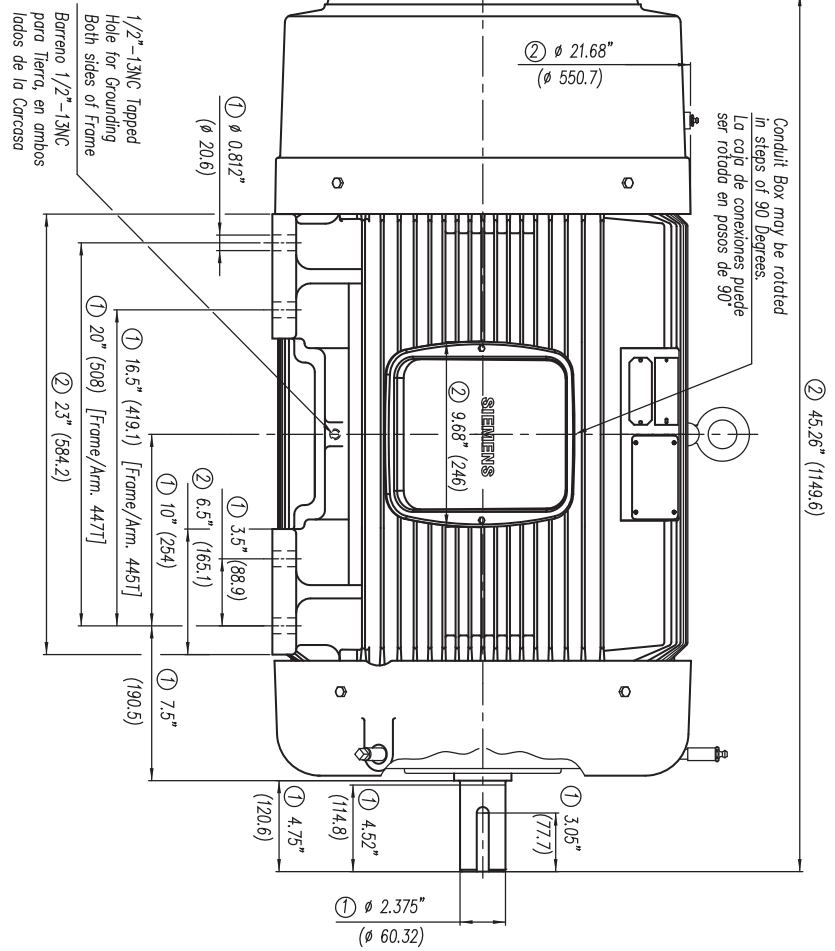
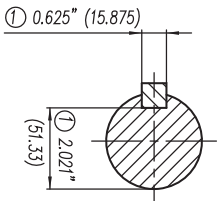


- ① Tolerances According to NEMA Std.
- ② All these dimensions corresponding to assemblies and castings shall have a tolerance as per DIN standard 1686-GTB-19
- ③ Not According to NEMA Std.

CERTIFIED PRINT / CERTIFICACION

| | | | |
|------------------|-----|--------------|-------|
| CUSTOMER/CLIENTE | | SALES/VENTAS | |
| PROJECT/OPERA | | TYPE/USO | |
| SP | REV | FRAME/ARM | HAIRS |
| | | | WZ |

Keyseat detail
Detalle Cuñero



| | | | |
|---|---------------------|-----|-------|
| Tol. in mm. acc. to Tol. en mm. según DIN-1686-GTB-19 | Over/desde fo/hasta | 18 | ± 4.5 |
| | | 18 | ± 4.7 |
| | | 30 | ± 5 |
| | | 50 | ± 5.5 |
| | | 80 | ± 6 |
| | | 120 | ± 6.5 |
| | | 180 | ± 7 |
| | | 250 | ± 7.5 |
| | | 315 | ± 8 |
| | | 400 | ± 8.5 |
| | | 500 | ± 9.5 |
| | | 630 | ± 10 |

| | |
|--|-------------|
| European Projection/Proyeccion Europea | Modific. |
| Dim. in inches/Dim. en pulg. | Date/Fecha |
| | Name/Nombre |
| Drawn/Elab | 08/04/10 |
| Check/Rev | 02/04/10 |
| Std Ckd/Aut | A. Red |

Outline/Dimensiones
New NEMA Motors (TS) Short Shaft/ Espliga Corta
Type/ Tipo: GP10 y GP100 445/447TS FRAME (Exact & mNP)

SIEMENS
GUADALAJARA FACTORY

Ref. 3MSE 750 0845 Rep. 1510

Scale/ Escala: ---