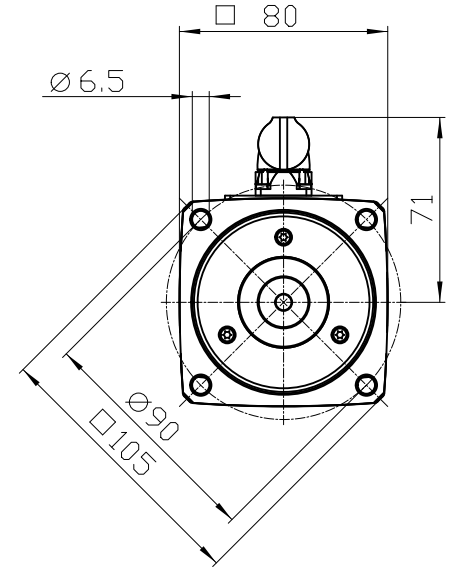
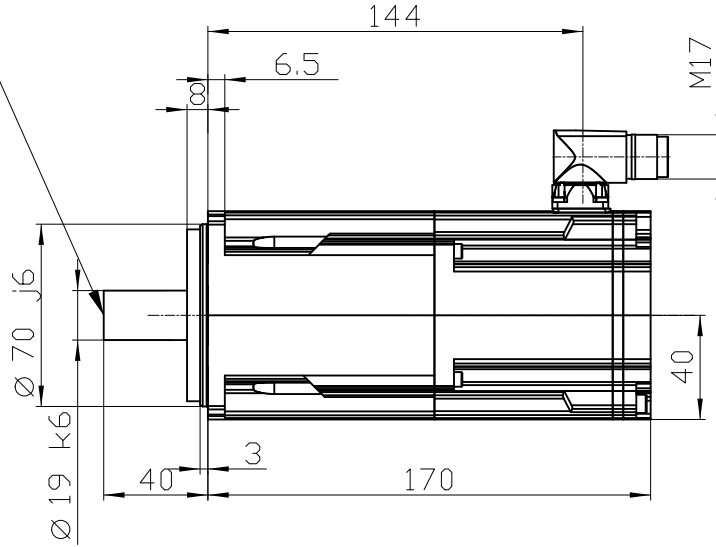


center hole  
DIN 332-DR M6



		-
		-
Unit	mm (in)	1FK2204-5AK11-0MA0
Date	6/14/21	
SIEMENS AG		-
		DT