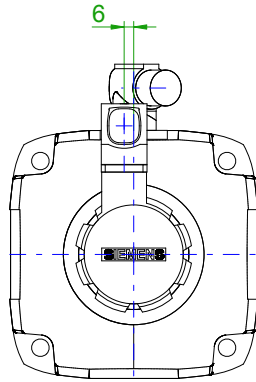
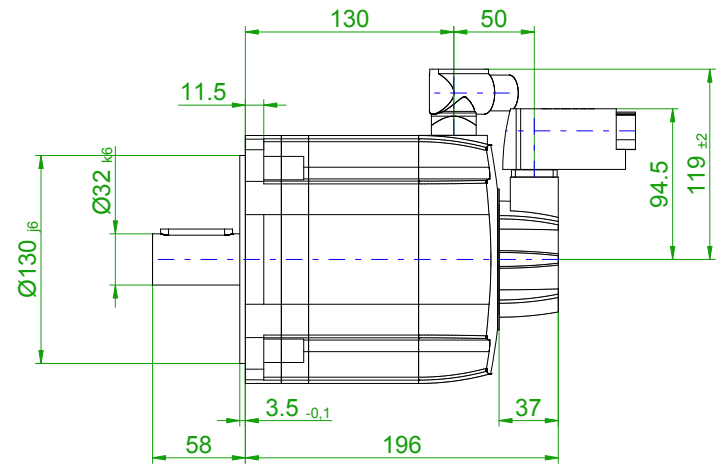
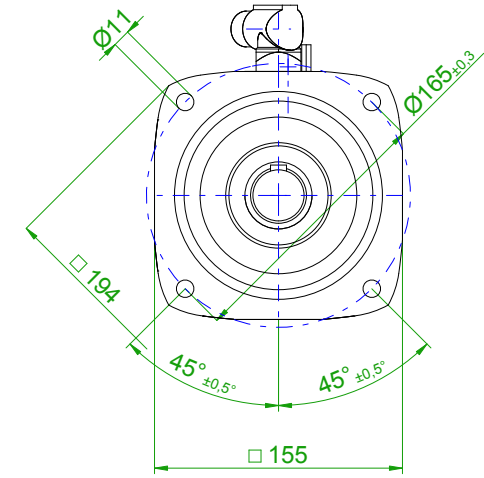


back view

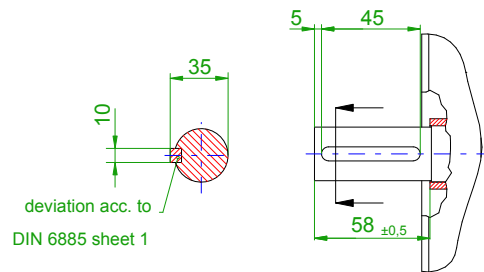


front view

center hole
DIN 332-DR M12

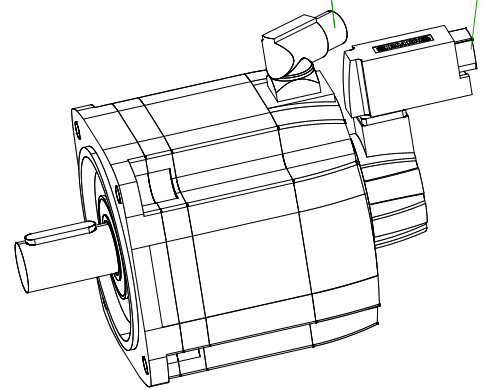


version with featherkey

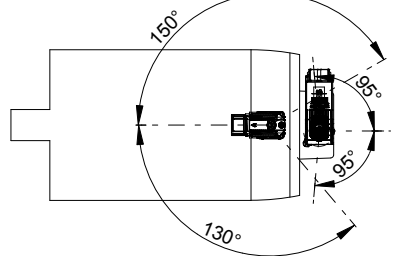


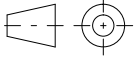
6-pole plug size 1
for power

10-pole
signal plug



rotating angle of the plug



		SIEMENS	
Einheit / unit: mm		Synchron-Servomotor Synchronous Servo Motor:	1FT7082-5AF71-1FA1
nicht tolerierte Maße / not toleranced dimensions: ±1		Optionen / options:	
Maßstab / scale: ohne / without		Gewicht / mass:	14.0 kg
CAD CREATOR 2.2 (WWW-Version V02.20.00.00)		Bemerkung / notice:	
		Druckdatum / print date:	03.10.2018