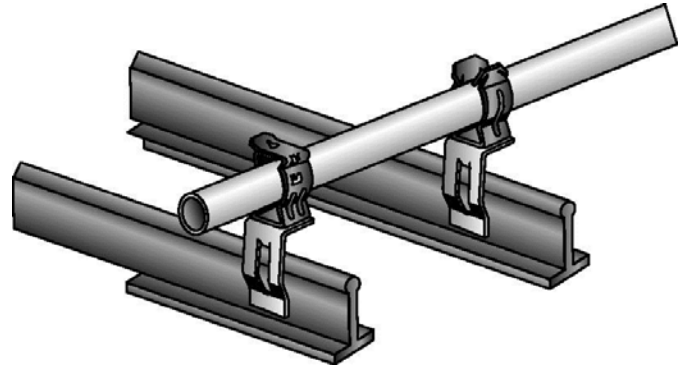
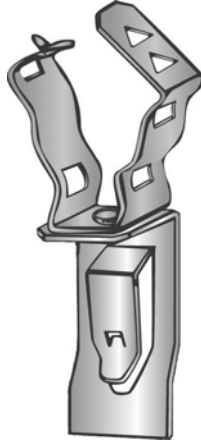


Part Number: P16MATA

Product Description: T-BAR CLIP WITH 1" SNAP CLOSE CONDUIT CLIP



Material Specifications

Type: Assembly

Finish: Assembly

Color: Various

Function Specifications

Compatible Wires and Cables

AC/MC CABLE (OD):
Drop Wire:
Plain Rod (in):

Threaded Rods and Bolts

Tapped Holes:
Clearance Holes (in):
Threaded Rod Size (in):

Compatible Conduit

EMT Size (in): 1
Rigid/IMC (in): 1

Compatible Flanges and Studs

Flange Size (in):
Metal Stud Size (ins):

Static Load Rating

Vertical (lbs):
Horizontal (lbs):

Other

Codes and Regulatory

Regulatory Certifications: -

Country of Origin: US

Packaging

General Packaging: Cardboard Box
Box Size: 15 X 8.25 X 7.25

Pieces per Package: 100
Other Box Features:

Document Information

Created By: DBLA
Checked By: DJW
Approved By: KLN

Customer Specification #: C11373
Revision Level: 01
ECN #: GAECN01482
Date: 12/10/2013