

# Catalog Numbers, Ratings and Features

Catalog No.	Meter Socket Cover	Main Breaker (MB1)		SubFeed Brkr (MB2)		Jaws
		Amps Max	Catalog No.	Amps Max	Catalog No.	
WCL2442B3T2RJ	RINGLESS	200	HFD63B200	50	HED43B050	7
WCL2442B3T3RJ	RINGLESS	175	HFD63B175	60	HED43B060	7
WCL2442B3T4RJ	RINGLESS	175	HFD63B175	70	HED43B070	7
WCL2442B3T5RJ	RINGLESS	150	HFD63B150	80	HED43B080	7
WCL2442B3T6RJ	RINGLESS	150	HFD63B150	90	HED43B090	7
WCL2442B3T7RJ	RINGLESS	150	HFD63B150	100	HED43B100	7
WCL2442B3T8RJ	RINGLESS	125	HFD63B125	110	HED43B110	7
WCL2442B3T9RJ	RINGLESS	125	HFD63B125	125	HED43B125	7

- Type 3R Outdoor Enclosure
- Main Bus Rating: 1200A Max.
- Meter Socket Rating: 200A Continuous
- (24) 1" Positions, (42) Circuits Max.
- 3 Phase In, 3 Phase Out
- 208Y/120 Volts AC, 3 Phase, 4 Wire
- 240/120 Volts AC, 3 Phase, 4 Wire Delta
- 100K AIC Max. Short Circuit Current Rating (See Wiring Diagram for Details)



## Circuit Breakers

**Siemens Branch Breaker Types:**  
QP, QPH, HQP, QT, QAF, QAFH, QAF2, QAF2H, HQAF2, QPF, QPFH, QE, QEH, QNR, QNRH, HQNR

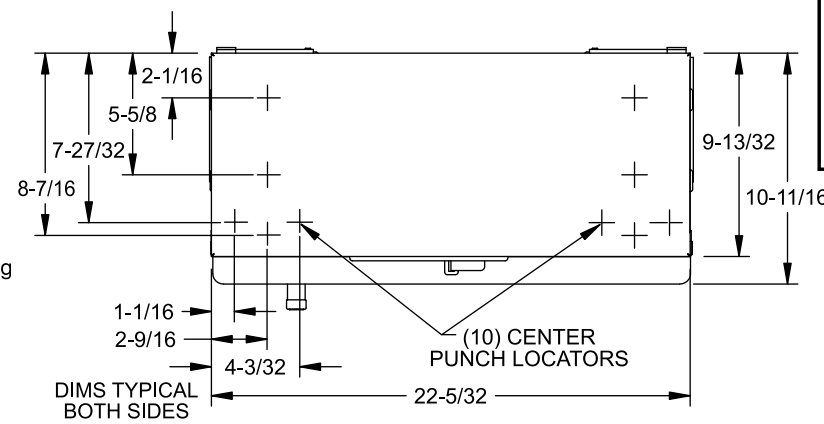
## Additional Modules

**Connect Modules Using:**  
QuickConnect Catalog No: QC4  
Torque: 400-440 lb-in (35-36 ft.-lb.)  
Single Bolt Joint Catalog No: SBJ4  
Torque: 400-480 lb-in (35-40 ft.-lb.)

**Use with Module . . . Siemens Series#**  
Main Breakers . . . . . (W)MC, WB, WEB, WXB  
Switches . . . . . WMP, WMS, WS, WES  
Tap/Terminal Boxes . . . . . WMTB, WTB, WET, WT\_PU  
Pull Boxes . . . . . WMMB  
Meter Module . . . . . (W)MM, WxMM, (W)MT, (W)ML, (W)MK  
Meter Combinations . . . . . WC, WCL, WCT  
Extension Box . . . . . WMEX, WSP, WSPD  
Bussed Elbow . . . . . BE

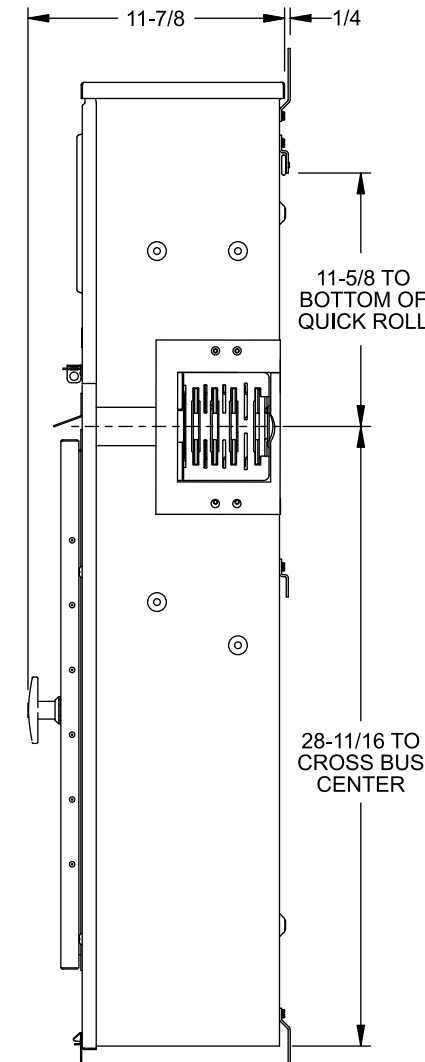
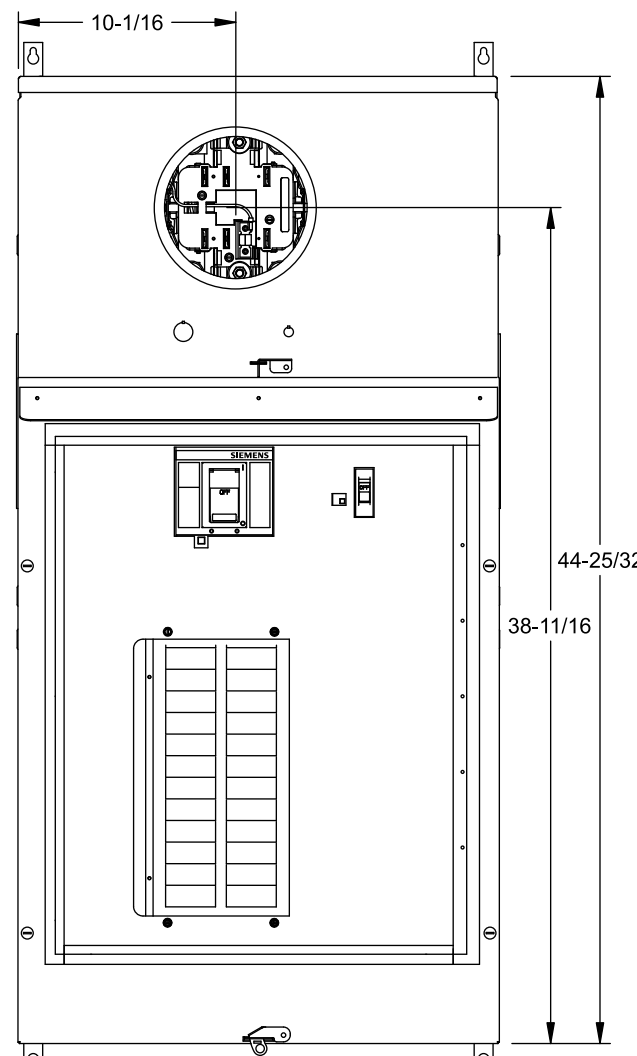
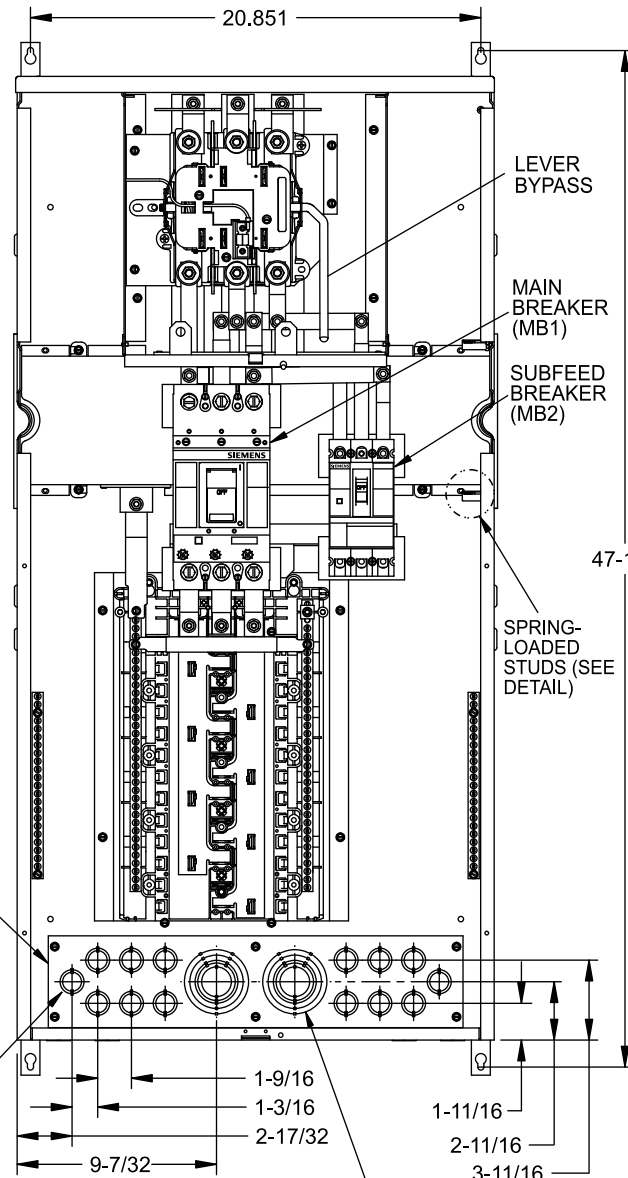
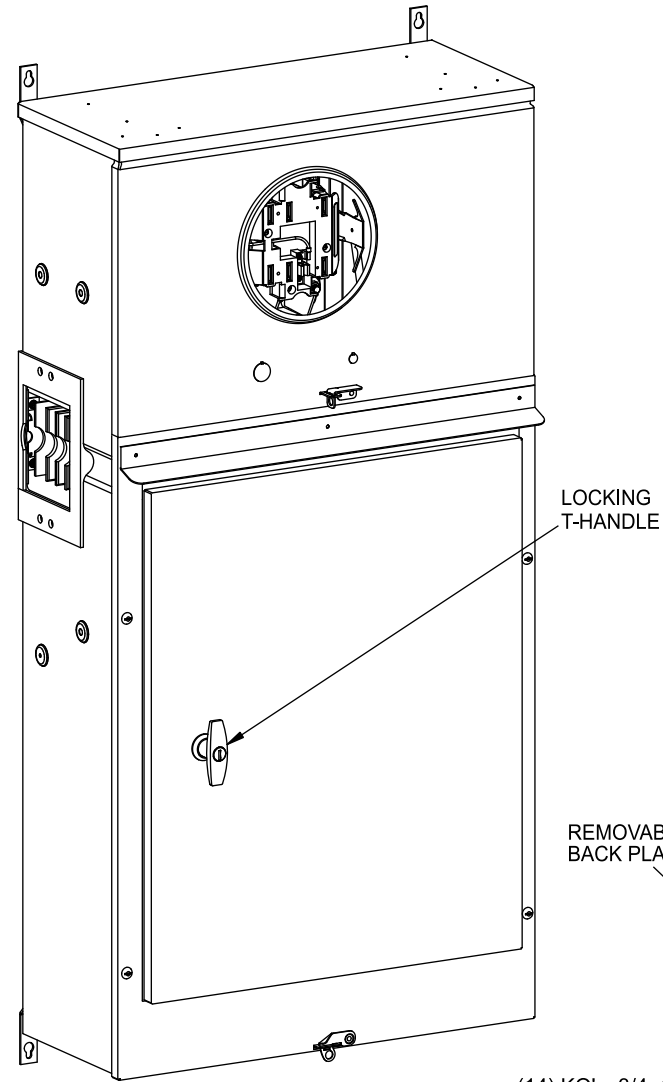
## Accessories

Accessories	Cat. No.
1" Filler Plate	ECQF3
SubFeed Lug Kit	ECLK2125
SubFeed Lug Kit	ECLK2225
Neutral Lug Kit	ECLK1-2
Neutral Lug Kit	ECLK2
End Closure Plate	WMEP
Meter Cover Plate	ECQF3
Mounting Tabs (2)	ECMFTAB
Back Rail/Clip	ECMFWLCLIP
Mounting Rail	MMRAIL
Wall Mounting Rail (60")	MMZR60
Arc Flash Label	ECAFL

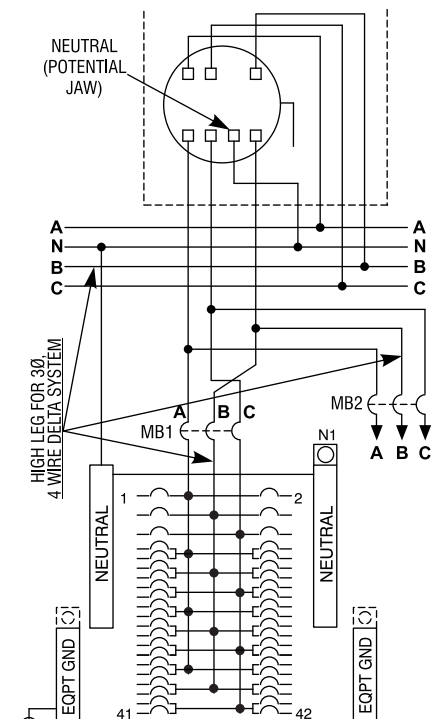


View Shown with Covers Removed

View Shown with Door Removed

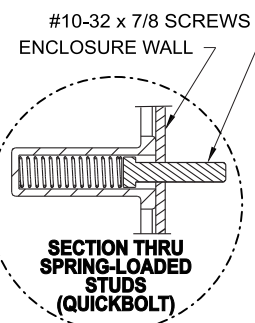
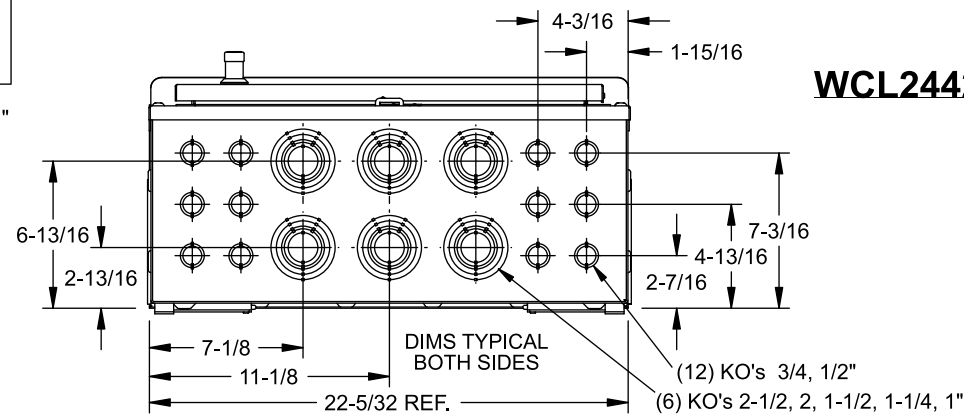


## Schematic



Terminal	Wire Size	Torque
N1	2/0 - #4 AWG	110 lb-in
Branch Breaker Terminals	See Markings on Breaker	
Ntl/Equip GND	#10 - #14 CU #10 - #12 AL #8 #6 - #4	20 lb-in 20 lb-in 25 lb-in 35 lb-in
Ground Conductors Only	(2) or (3) #14 AWG (2) #12-#10 AWG	20 lb-in 20 lb-in
<b>Ground Bar/Neutral Lug Kits</b>		
ECLK1-2	2/0 - #2 AWG	45 lb-in
ECLK2	2/0 - #4 AWG	135 lb-in

WCL2442B3T2RJ Shown



© 2013 Copyright Siemens Industry, Inc.

**SIEMENS**  
Siemens Industry, Inc.

**PowerMod™ Modular Metering**

Catalog Numbers: **3in-3out, Lever Bypass Socket, 7 Jaw, 24 Position 42 Circuit Panel w/SubFeed Breaker**

Size B Dwg. No. **LBP\_3-3\_WB**