

COMPONENT FOR ENCLOSURE, 22MM LAMP HOLDER WITH INTEGRATED LED 24V AC/DC RATED VOLTAGE 24V AC/DC SPRING-LOADED TERMINAL YELLOW !!! Phased-out product !!! SIRIUS ACT 3SU1 is successor Preferred successor type is >>3SU1401-2BB30-3AA0<<



Figure similar

Product designation	lampholder
Contact block/ lampholder	
Mounting type	integrated
Number of lampholders	1
General technical data	
Product function	
• positive opening	No
Product component	
• diode	Yes
• lamp transformer	No
• Light source	Yes
• series resistor	No
Insulation voltage	
• rated value	400 V
Degree of pollution	class 3
Type of voltage	
• of the operating voltage	AC/DC

Surge voltage resistance rated value	4 kV
Protection class IP	
• of the enclosure	IP40
• of the terminal	IP20
Reference code acc. to DIN 40719 extended according to IEC 204-2 acc. to IEC 750	H
Reference code acc. to DIN EN 81346-2	P
Reference code acc. to DIN EN 61346-2	P
Operating voltage	
• at AC	
— at 50 Hz rated value	21.6 ... 26.4 V
— at 60 Hz rated value	21.6 ... 26.4 V
• at DC	
— rated value	21.6 ... 26.4 V
Operating voltage 1	
• at AC	
— at 50 Hz rated value	24 V
— at 60 Hz rated value	24 V
• at DC rated value	24 V

Supply voltage

Type of voltage of the supply voltage	
• of the light source	AC/DC
Supply voltage of the light source at AC	
• at 50 Hz rated value	24 V
• at 60 Hz rated value	24 V
Supply voltage of the light source at DC	
• rated value	24 V
Relative negative tolerance of the supply voltage	-15 %
Relative positive tolerance of the supply voltage	10 %

Auxiliary circuit

Number of NC contacts for auxiliary contacts	0
Number of NO contacts for auxiliary contacts	0
Number of CO contacts	
• for auxiliary contacts	0
Consumed current for rated value of supply voltage maximum	18 mA

Connections/ Terminals

Type of electrical connection	spring-loaded terminals
Type of connectable conductor cross-sections	
• for auxiliary contacts	
— solid	2x (0.25 ... 1.5 mm ²)

- finely stranded with core end processing
- finely stranded without core end processing
- at AWG conductors for auxiliary contacts

2x (0.25 ... 0.75 mm ²)
2x (0.25 ... 1.5 mm ²)
2x (24 ... 16)

Lamp

Type of light source	LED
Color of the light source	yellow

Ambient conditions

Ambient temperature	
• during operation	-25 ... +70 °C
• during storage	-25 ... +80 °C

Installation/ mounting/ dimensions

Mounting type	floor mounting
Height	49 mm
Width	10 mm
Depth	28 mm

Certificates/ approvals

General Product Approval	Declaration of Conformity
--------------------------	---------------------------



[Miscellaneous](#)

other	Railway
-------	---------

[Confirmation](#)

[Special Test Certificate](#)

Further information

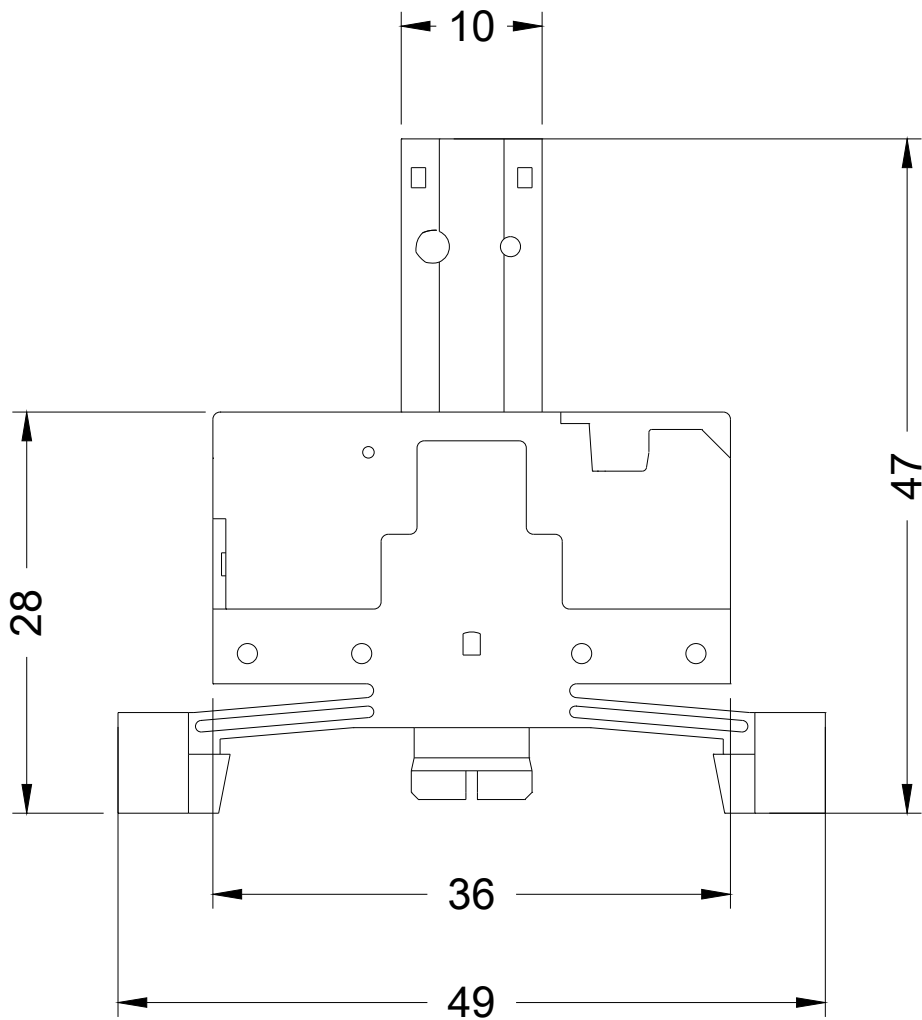
Information- and Downloadcenter (Catalogs, Brochures,...)
<https://www.siemens.com/ic10>

Industry Mall (Online ordering system)
<https://mall.industry.siemens.com/mall/en/en/Catalog/product?mlfb=3SB3423-1PA>

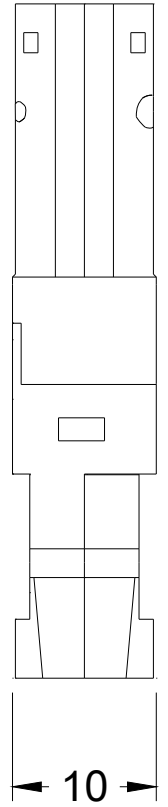
Cax online generator
<http://support.automation.siemens.com/WW/CAXorder/default.aspx?lang=en&mlfb=3SB3423-1PA>

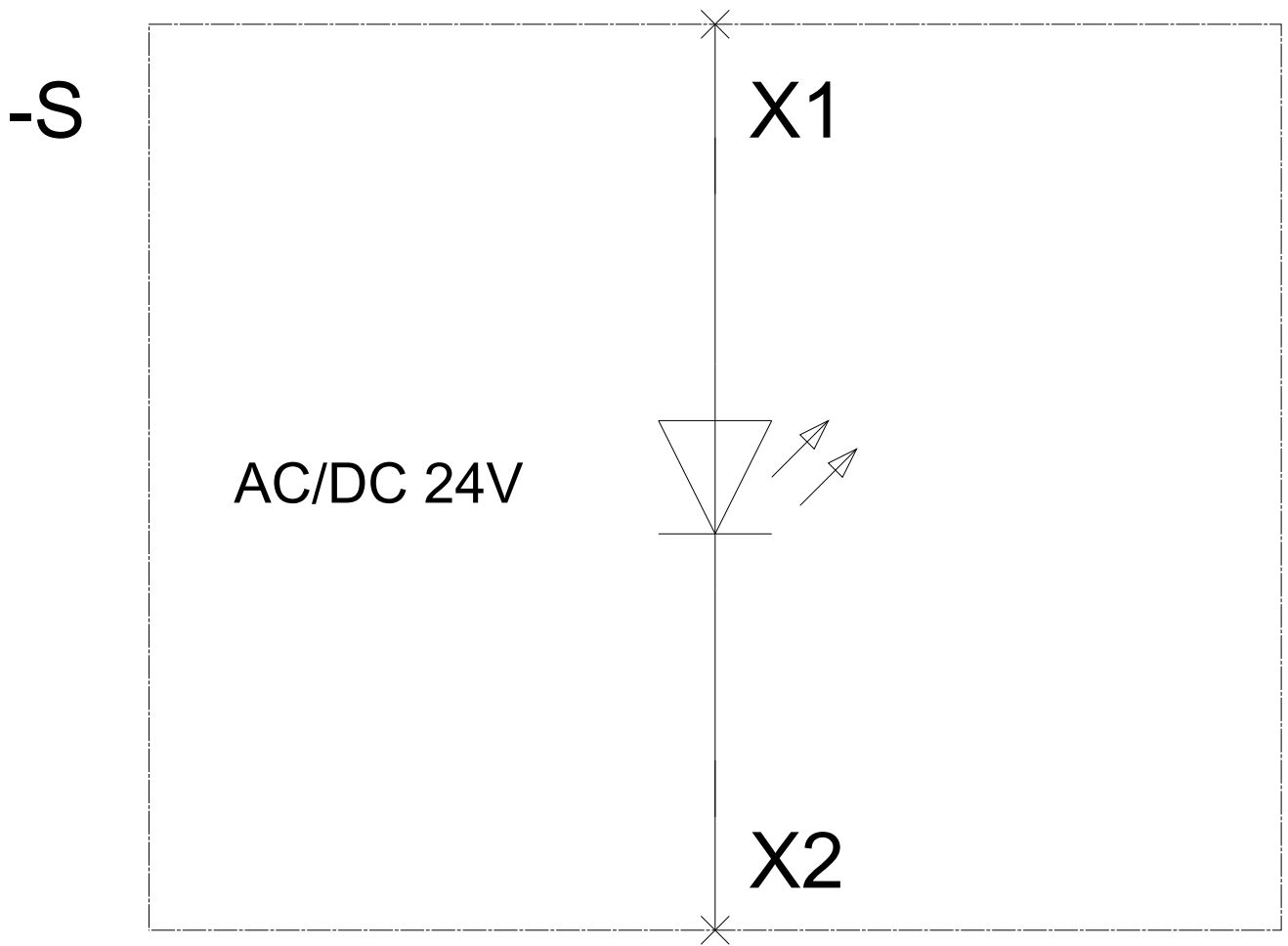
Service&Support (Manuals, Certificates, Characteristics, FAQs,...)
<https://support.industry.siemens.com/cs/ww/en/ps/3SB3423-1PA>

Image database (product images, 2D dimension drawings, 3D models, device circuit diagrams, EPLAN macros, ...)
http://www.automation.siemens.com/bilddb/cax_de.aspx?mlfb=3SB3423-1PA&lang=en



NSD0-01302





last modified:

03/09/2020