

Siemens
EcoTech



circuit breaker 3VA6 UL Frame 400 breaking capacity class L 150 kA @ 480 V 3-pole, line protection ETU556, LSI, In=250 A overload protection Ir=100 A ...250 A short-circuit protection I_{sd}=0.6..10x I_n, I_i=1.5..12x I_n neutral conductor protection optionally with ext. CT; up to 160% ground fault alarm signaled via EFB300 or COM nut keeper kit on two sides



Model	
product brand name	SENTRON
product designation	Molded-case circuit breaker
product designation / according to UL file	LJAE
design of the product	System protection
design of the load switch / according to UL 489 / Heating, Air Conditioning, and Refrigeration circuit breaker (HACR Type)	Yes
design of the overcurrent release	ETU556
protection function of the overcurrent release	LSI-G-alarm only
number of poles	3
General technical data	
insulation voltage / rated value	800 V
operating voltage / at AC / rated value	690 V
power loss [W] / maximum	27 W
power loss [W] / for rated value of the current / at AC / in hot operating state / per pole	9 W
mechanical service life (operating cycles) / typical	20 000
electrical endurance (operating cycles) / at AC-1 / at 380/415 V	6 000
electrical endurance (operating cycles) / at AC-1 / at 690 V	4 200
electrical endurance (operating cycles) / at 480 V	6 000
electrical endurance (operating cycles) / at 600 V	4 200
product feature / for neutral conductors / upgradable/retrofitable / short-circuit and overload proof	Yes
ground-fault monitoring version	Summation current formation L-conductor
product function	
• communication function	Yes
• other measurement function	No
Net Weight	5.596 kg
Current	
marking / according to UL 489 / 100%-rated breaker	No
operational current	
• at 40 °C	250 A
• at 45 °C	250 A
• at 50 °C	250 A
• at 55 °C	250 A
• at 60 °C	250 A
• at 65 °C	250 A
• at 70 °C	250 A

Switching capacity according to IEC 60947	
switching capacity class of the circuit breaker	L
maximum short-circuit current breaking capacity (I _{cu})	
• at 240 V	200 kA
• at 415 V	150 kA
• at 690 V	5 kA
operating short-circuit current breaking capacity (I _{cs})	
• at 240 V	200 kA
• at 415 V	150 kA
• at 690 V	5 kA
short-circuit current making capacity (I _{cm})	
• at 240 V	440 kA
• at 415 V	330 kA
• at 690 V	7.5 kA

Switching capacity according to UL 489	
current breaking capacity	
• at 240 V	200 kA
• at 480 V	150 kA
• at 600 V	50 kA

Adjustable parameters	
adjustable response value setting current (I _r) / of the L-trip / with I _{2t} characteristic	
• minimum	100 A
• maximum	250 A
adjustable response value delay time (t _r) / for L-tripping / with I _{2t} characteristic	
• minimum	0.5 s
• maximum	25 s
adjustable response value setting current (I _{sd}) / of S-trip / with I _{0t} characteristic	
• minimum	150 A
• maximum	2 500 A
adjustable response value setting current (I _{sd}) / of S-trip / with I _{2t} characteristic	
• minimum	150 A
• maximum	2 500 A
adjustable response value delay time (t _{sd}) / for S-tripping / with I _{0t} characteristic	
• minimum	0.05 s
• maximum	0.5 s
adjustable response value delay time (t _{sd}) / for S-tripping / with I _{2t} characteristic	
• minimum	0.05 s
• maximum	0.5 s
adjustable response value setting current (I _i) / for I-tripping	
• minimum	375 A
• maximum	3 000 A
adjustable current response value current / for G-tripping / with standard characteristic	
• initial value	50 A
• full-scale value	250 A
adjustable response value delay time (t _g) / for G-tripping / with I _{0t} characteristic	
• minimum	0.05 s
• maximum	0.8 s
adjustable response value setting current (I _g) / for G-tripping / with I _{2t} characteristic	
• minimum	50 A
• maximum	250 A
adjustable response value delay time (t _g) / for G-tripping / with I _{2t} characteristic	
• minimum	0.05 s
• maximum	0.8 s
adjustable setting current (I _{nN}) / for N-tripping	

• minimum	0 A
• maximum	0 A
design of the N-conductor protection	adjustable OFF; 20% to 160%
product function / grounding protection	Yes

Mechanical Design

product component	
• undervoltage release	No
• voltage trigger	No
• trip indicator	No
height [in]	9.76 in
height	248 mm
width [in]	5.43 in
width	138 mm
depth [in]	4.33 in
depth	110 mm

Connections

arrangement of electrical connectors / for main current circuit	Front connection
type of electrical connection / for main current circuit	nut keeper kit on both ends
type of connectable conductor cross-sections / for flat-bar terminal connection / minimum	20 x 1 mm
type of connectable conductor cross-sections / for flat-bar terminal connection / maximum	35 x 10 mm

Auxiliary circuit

number of CO contacts / for auxiliary contacts	0
--	---

Accessories

product extension / optional / motor drive	Yes
--	-----

Environmental conditions

protection class IP / on the front	IP40
ambient temperature	
• during operation / minimum	-25 °C
• during operation / maximum	70 °C
• during storage / minimum	-40 °C
• during storage / maximum	80 °C

Environmental footprint

Global Warming Potential [CO2 eq] / total	495 kg
Global Warming Potential [CO2 eq] / during manufacturing	28.7 kg
Global Warming Potential [CO2 eq] / during operation	470 kg
Global Warming Potential [CO2 eq] / after end of life	-4.07 kg
Siemens Eco Profile (SEP)	Siemens EcoTech
reference code / according to IEC 81346-2	Q

Approvals / Certificates

General Product Approval



[Confirmation](#)



EG-Konf.



[Miscellaneous](#)

General Product Approval	EMV	Marine / Shipping	other
--------------------------	-----	-------------------	-------



RCM



ABS

[Miscellaneous](#)

[Confirmation](#)

[Miscellaneous](#)

Dangerous goods	Environment
-----------------	-------------



Further information

Information on the packaging

<https://support.industry.siemens.com/cs/ww/en/view/109813875>

Information- and Downloadcenter (Catalogs, Brochures,...)

<http://www.siemens.com/lowvoltage/catalogs>

Industry Mall (Online ordering system)

<https://mall.industry.siemens.com/mall/en/en/Catalog/product?mifb=3VA6325-8JT32-0AA0>

Service&Support (Manuals, Certificates, Characteristics, FAQs,...)

<https://support.industry.siemens.com/cs/ww/en/ps/3VA6325-8JT32-0AA0>

Image database (product images, 2D dimension drawings, 3D models, device circuit diagrams, ...)

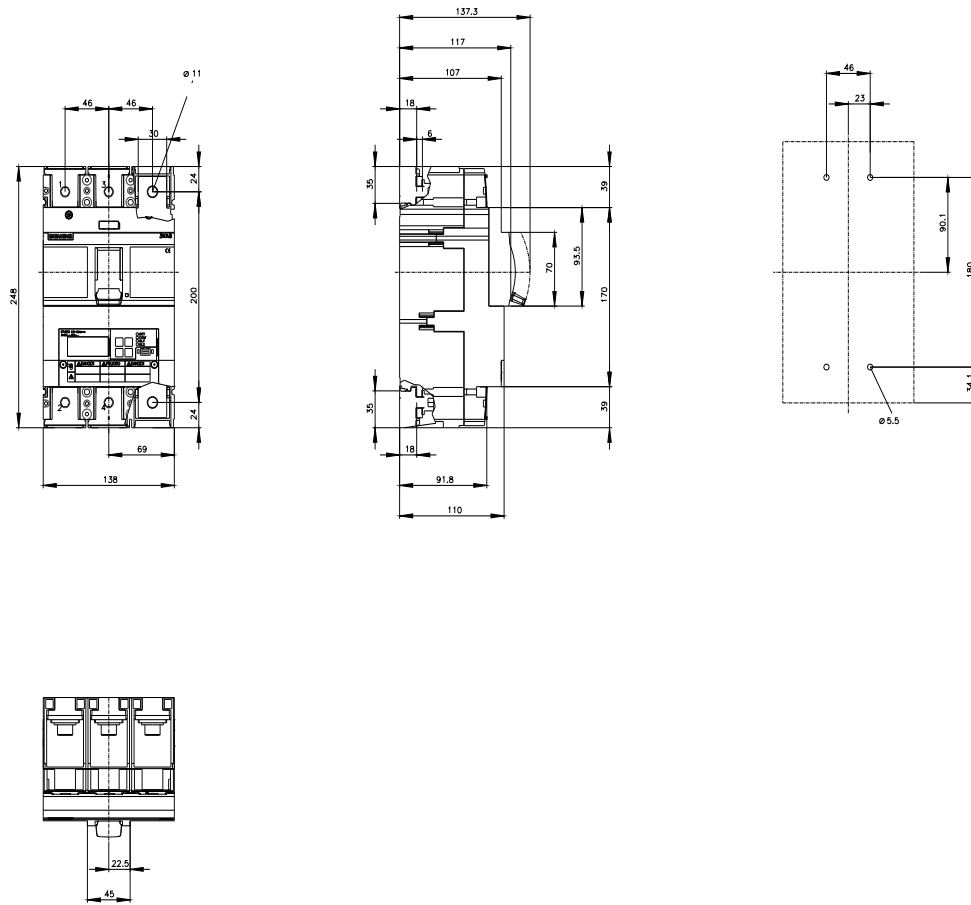
http://www.automation.siemens.com/bilddb/cax_en.aspx?mifb=3VA6325-8JT32-0AA0

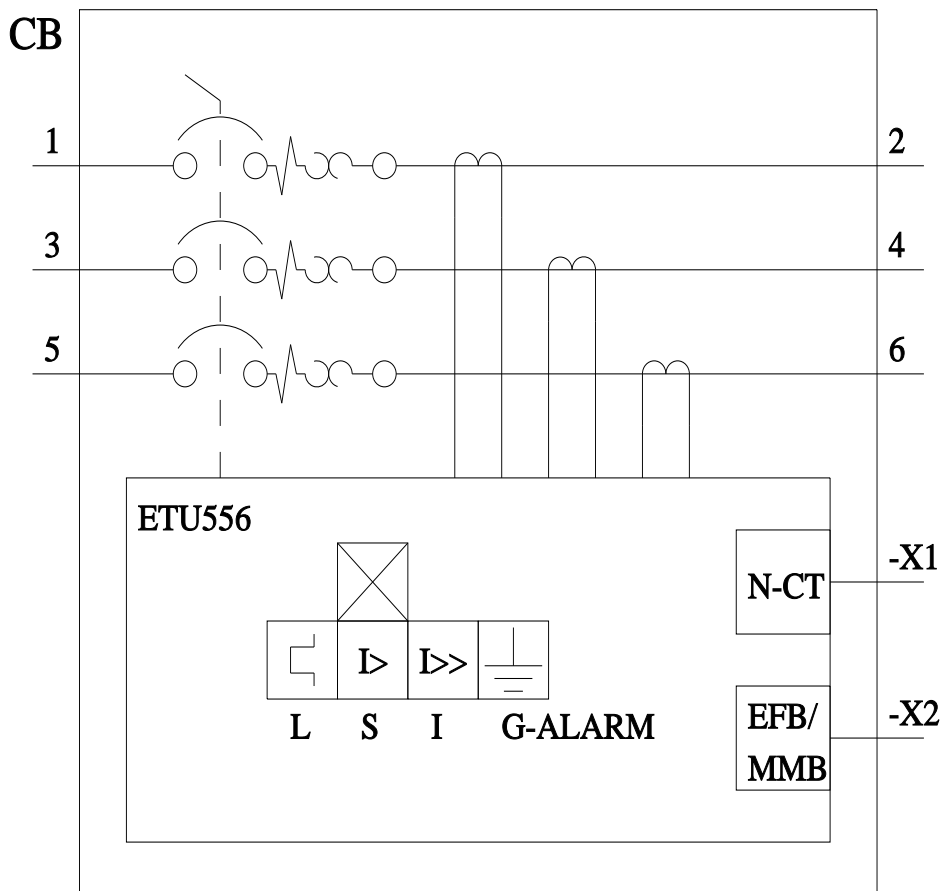
CAX-Online-Generator

<http://www.siemens.com/cax>

Tender specifications

<http://www.siemens.com/specifications>





last modified:

10/24/2024

