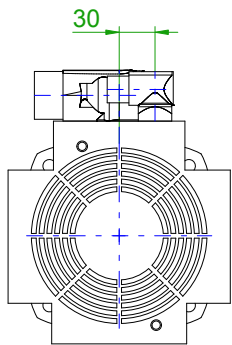
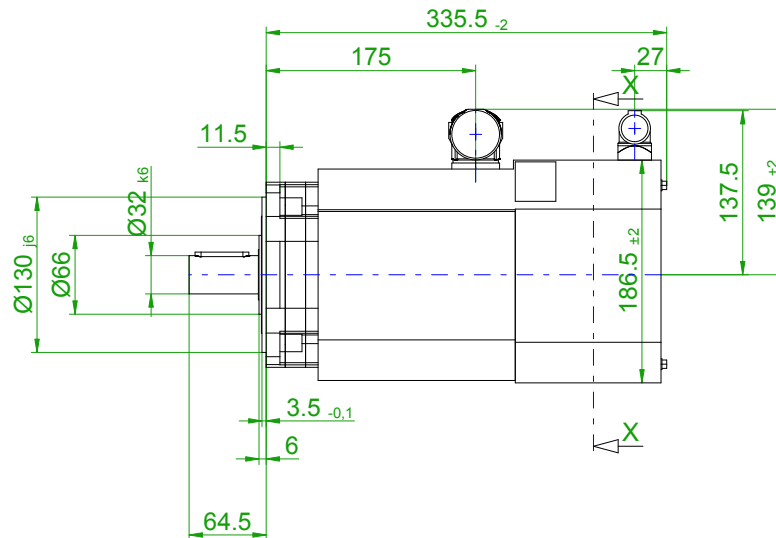
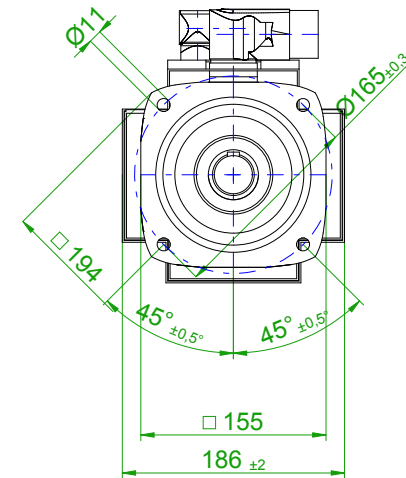


back view



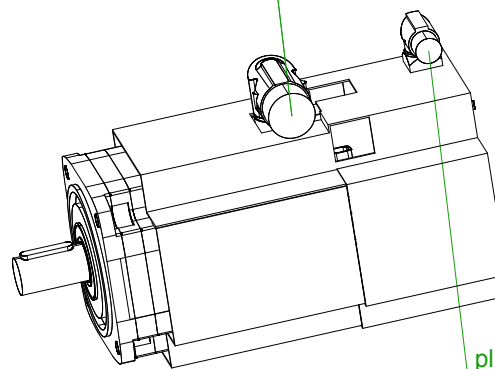
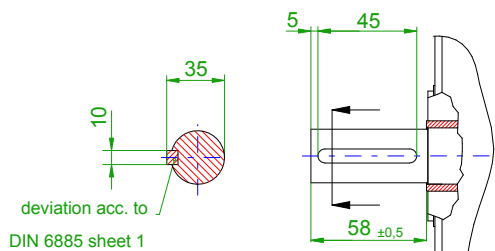
front view

center hole
DIN 332-DR M12



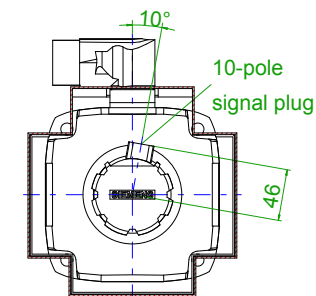
6-pole plug size 1.5
for power

version with featherkey

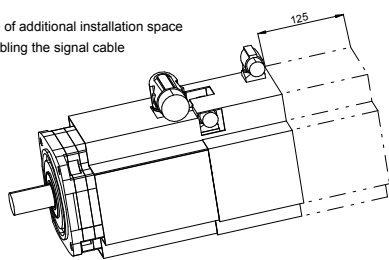


plug for fan port

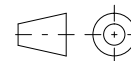
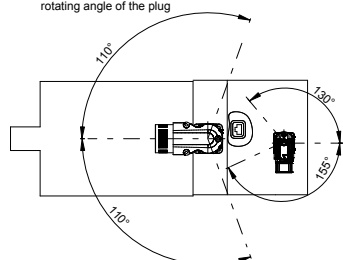
X-X



Take care of additional installation space
for assembling the signal cable



rotating angle of the plug



SIEMENS

Einheit / unit: mm

Synchron-Servomotor
Synchronous Servo Motor:

1FT7084-5SH70-1BA0

nicht tolerierte Maße /
not toleranced dimensions:

±1

Optionen / options:

Gewicht / mass:

25.5 kg

Maßstab / scale: ohne / without

Bemerkung / notice:

CAD CREATOR 2.2 (WWW-Version V02.20.00.00)

Druckdatum / print date:

09.01.2019