

Indicator lights, 22 mm, round, metal, shiny, yellow, lens, smooth, with holder, LED module with integrated LED 24 V AC/DC, spring-type terminal, Z=20-unit packaging



|                                      |                                    |
|--------------------------------------|------------------------------------|
| <b>Product brand name</b>            | SIRIUS ACT                         |
| <b>Product designation</b>           | Indicator lights                   |
| <b>Design of the product</b>         | Complete unit                      |
| <b>Product type designation</b>      | 3SU1                               |
| <b>Product line</b>                  | Metal, shiny, 22 mm                |
| <b>Manufacturer's article number</b> |                                    |
| • of supplied LED module             | <a href="#">3SU1401-1BB30-3AA0</a> |
| • of the supplied holder             | <a href="#">3SU1550-0AA10-0AA0</a> |
| • of supplied repeater               | <a href="#">3SU1051-6AA30-0AA0</a> |

### Enclosure

|                                 |   |
|---------------------------------|---|
| <b>Number of command points</b> | 1 |
|---------------------------------|---|

### Actuator

|  |          |
|--|----------|
| <b>Product extension optional Light source</b> | Yes      |
| <b>Color</b>                                   |          |
| • of the actuating element                     | yellow   |
| <b>Material of the actuating element</b>       | plastic  |
| <b>Shape of the actuating element</b>          | round    |
| <b>Outer diameter of the actuating element</b> | 29.45 mm |

| Front ring  |                                     |
|---|-------------------------------------|
| Product component front ring                      | No                                  |
| Holder  |                                     |
| Material of the holder                            | Metal                               |
| Display   |                                     |
| Number of LED modules                             | 1                                   |
| General technical data                            |                                     |
| Product component                                 | Yes                                 |
| • Light source                                    |                                     |
| Insulation voltage                                |                                     |
| • rated value                                     | 320 V                               |
| Degree of pollution                               | 3                                   |
| Surge voltage resistance rated value              | 4 kV                                |
| Protection class IP                               | IP66, IP67, IP69(IP69K)             |
| • of the terminal                                 | IP20                                |
| Degree of protection NEMA rating                  | NEMA 1, 2, 3, 3R, 4, 4X, 12, 13     |
| Shock resistance                                  |                                     |
| • acc. to IEC 60068-2-27                          | Sinusoidal half-wave 50 g / 11 ms   |
| Vibration resistance                              |                                     |
| • acc. to IEC 60068-2-6                           | 10 ... 500 Hz: 5g                   |
| Reference code acc. to DIN EN 81346-2             | P                                   |
| Reference code acc. to DIN EN 61346-2             | P                                   |
| Supply voltage                                    |                                     |
| Type of voltage of the supply voltage             | AC/DC                               |
| • of the light source                             |                                     |
| Supply voltage of the light source at AC          |                                     |
| • at 50 Hz rated value                            | 24 V                                |
| • at 60 Hz rated value                            | 24 V                                |
| Supply voltage of the light source at DC          |                                     |
| • rated value                                     | 24 V                                |
| Relative negative tolerance of the supply voltage | 30 %                                |
| Relative positive tolerance of the supply voltage | 25 %                                |
| Control circuit/ Control                          |                                     |
| Inrush current maximum                            | 2 A                                 |
| Connections/ Terminals                            |                                     |
| Type of electrical connection                     | Spring-type terminal                |
| • of modules and accessories                      |                                     |
| Type of connectable conductor cross-sections      |                                     |
| • solid without core end processing               | 2x (0.25 ... 1.5 mm <sup>2</sup> )  |
| • finely stranded with core end processing        | 2x (0.25 ... 0.75 mm <sup>2</sup> ) |

|  |  |
|--|--|
| <ul style="list-style-type: none"> <li>• finely stranded without core end processing</li> <li>• at AWG conductors</li> </ul> | 2x (0.25 ... 1.5 mm <sup>2</sup> )<br>2x (24 ... 16) |
| <b>Tightening torque of the screws in the bracket</b>  | 1 ... 1.2 N·m  |

### Lamp

|                                  |                   |
|----------------------------------|-------------------|
| <b>Type of light source</b>      | LED               |
| <b>Color of the light source</b> | yellow            |
| <b>Light intensity</b>           | 900 ... 1 400 mcd |

### Ambient conditions

|  |   |
|--|---|
| <b>Ambient temperature</b>   |   |
| <ul style="list-style-type: none"> <li>• during operation</li> <li>• during storage</li> </ul> | -25 ... +70 °C<br>-40 ... +80 °C  |
| Environmental category during operation acc. to IEC 60721                                      | 3M6, 3S2, 3B2, 3K6 (with relative air humidity of 10 ... 95 %, no condensation in operation permitted for all devices behind front panel) |

### Installation/ mounting/ dimensions

|  |                      |
|--|----------------------|
| <b>Mounting type</b>   | front panel mounting |
| <ul style="list-style-type: none"> <li>• of modules and accessories</li> </ul> | Front plate mounting |
| <b>Height</b>  | 40 mm                |
| <b>Width</b>   | 30 mm                |
| <b>Shape of the installation opening</b>                                       | round                |
| <b>Mounting diameter</b>   | 22.3 mm              |
| <b>Positive tolerance of installation diameter</b>                             | 0.4 mm               |
| <b>Mounting height</b>   | 11.8 mm              |
| <b>Installation width</b>  | 29.5 mm              |
| <b>Installation depth</b>  | 49.7 mm              |

### Certificates/ approvals

| General Product Approval | Declaration of Conformity | Test Certificates |
|--------------------------|---------------------------|-------------------|
|--------------------------|---------------------------|-------------------|



[Miscellaneous](#)

[Type Test Certificates/Test Report](#)

### Marine / Shipping



### other

[Confirmation](#)

### Further information

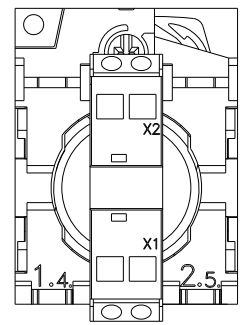
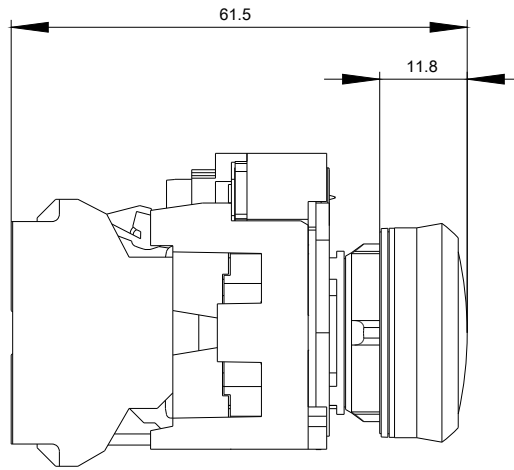
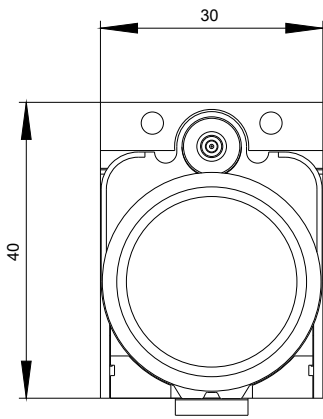
**Information- and Downloadcenter (Catalogs, Brochures,...)**  
<https://www.siemens.com/ic10>

**Industry Mall (Online ordering system)**  
<https://mall.industry.siemens.com/mall/en/en/Catalog/product?mlfb=3SU1152-6AA30-3AA0-Z X90>

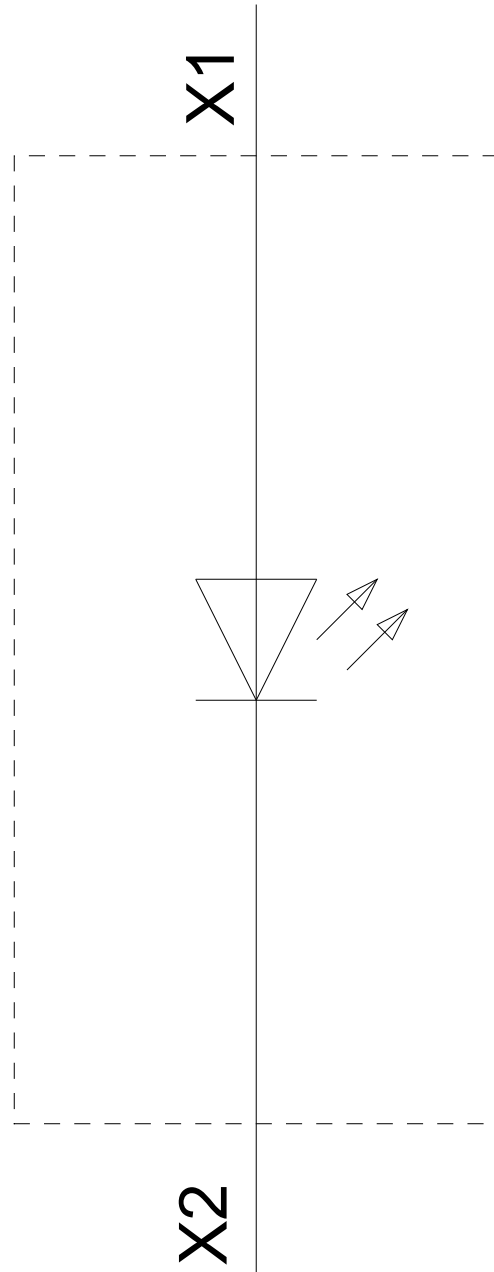
**Cax online generator**  
<http://support.automation.siemens.com/WW/CAXorder/default.aspx?lang=en&mlfb=3SU1152-6AA30-3AA0-Z X90>

**Service&Support (Manuals, Certificates, Characteristics, FAQs,...)**  
<https://support.industry.siemens.com/cs/ww/en/ps/3SU1152-6AA30-3AA0-Z X90>

**Image database (product images, 2D dimension drawings, 3D models, device circuit diagrams, EPLAN macros, ...)**  
[http://www.automation.siemens.com/bilddb/cax\\_de.aspx?mlfb=3SU1152-6AA30-3AA0-Z X90&lang=en](http://www.automation.siemens.com/bilddb/cax_de.aspx?mlfb=3SU1152-6AA30-3AA0-Z X90&lang=en)



24 V AC/DC  
-P



last modified:

02/06/2020