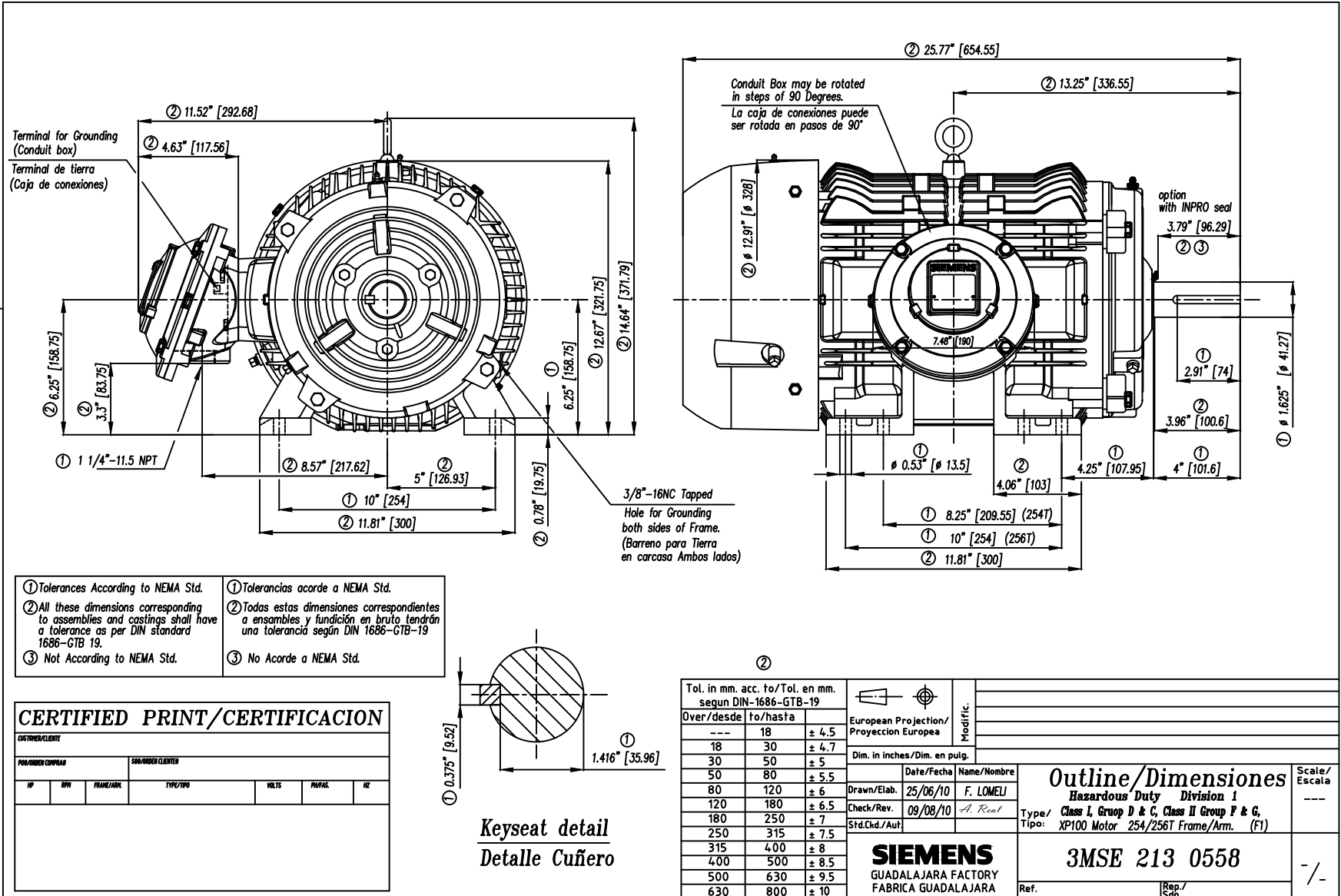


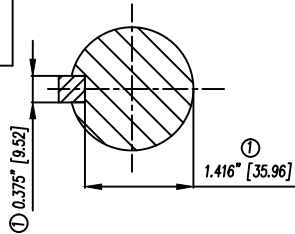
La reproducción de este documento, así como la comunicación de su contenido son ilícitos, salvo expreso consentimiento de SIEMENS. All rights are reserved for the case of patent concession of invention or industrial model register.

This document reproduction, as well as the communication of its content are illicit, without the written consent from SIEMENS. All rights are reserved for the case of patent concession of invention or industrial model register.



- | | |
|---|--|
| ① Tolerances According to NEMA Std. | ① Tolerancias acorde a NEMA Std. |
| ② All these dimensions corresponding to assemblies and castings shall have a tolerance as per DIN standard 1686-GTB 19. | ② Todas estas dimensiones correspondientes a ensambles y fundición en bruto tendrán una tolerancia según DIN 1686-GTB-19 |
| ③ Not According to NEMA Std. | ③ No Acorde a NEMA Std. |

CERTIFIED PRINT/CERTIFICACION						
CUSTOMER/CLIENTE						
PART/ORDER COMPANY			SHE/ORDER CLIENTE			
MP	MPN	FRAME/ARM	TYPE/TPD	VOLTS	HP/FAE	Hz



Keyseat detail
Detalle Cuñero

Tol. in mm. acc. to/Tol. en mm. según DIN-1686-GTB-19		
Over/desde	to/hasta	
---	18	± 4.5
18	30	± 4.7
30	50	± 5
50	80	± 5.5
80	120	± 6
120	180	± 6.5
180	250	± 7
250	315	± 7.5
315	400	± 8
400	500	± 8.5
500	630	± 9.5
630	800	± 10

European Projection/ Proyeccion Europea	Date/Fecha	Name/Nombre
	25/06/10	F. LOMELI
Dim. in inches/Dim. en pulg.	Check/Rev.	A. Real
	09/08/10	
SIEMENS GUADALAJARA FACTORY FABRICA GUADALAJARA		

Outline/Dimensiones Hazardous Duty Division 1 Class I, Group D & C, Class II Group F & G, Tipo: XP100 Motor 254/256T Frame/Arm. (F1)		Scale/ Escala
3MSE 213 0558		---
Ref.	Rep./ Sub.	-/-

F260/1-0310