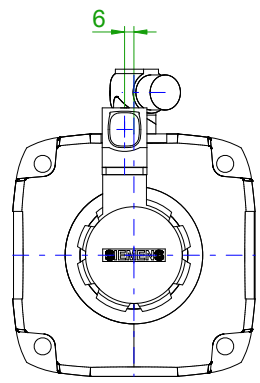
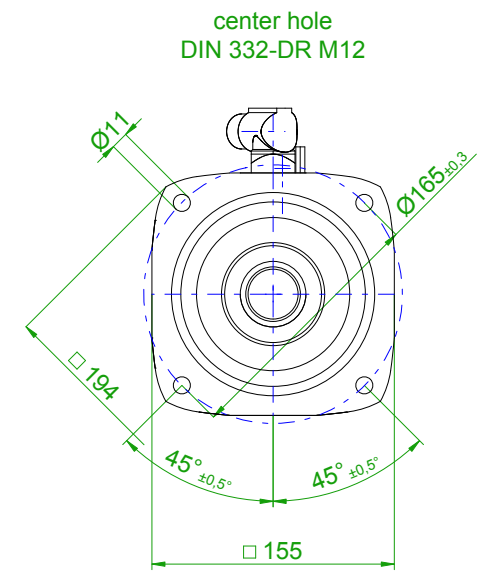


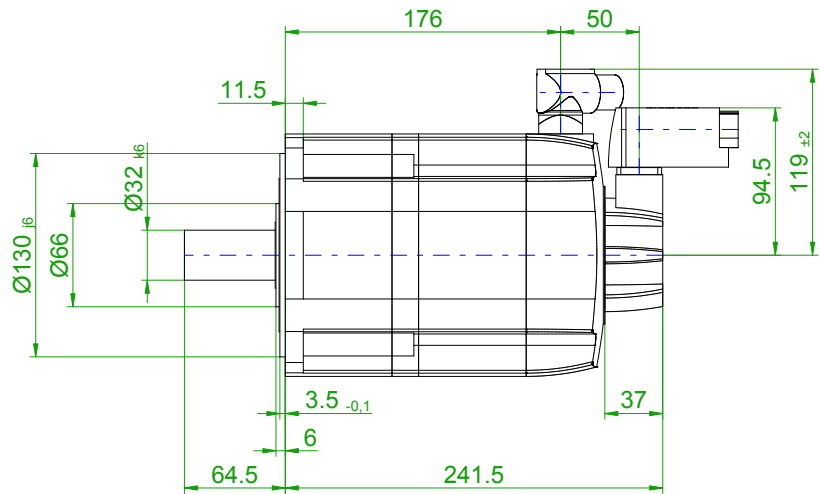
back view



front view

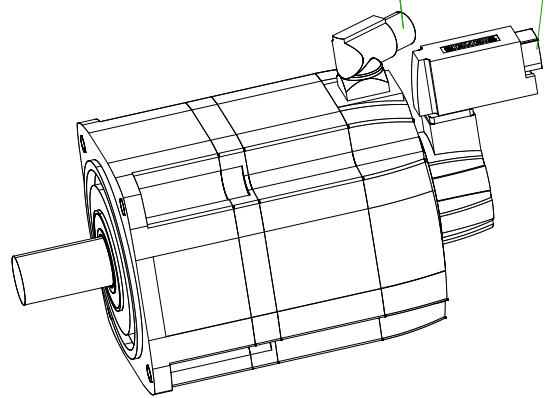
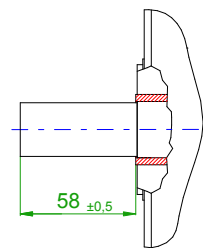


center hole  
DIN 332-DR M12

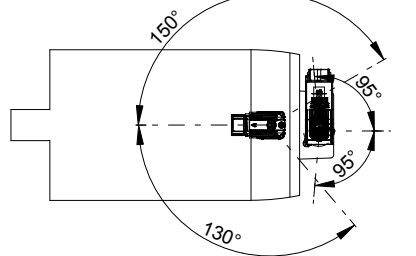


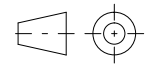
6-pole plug size 1  
for power and brake

10-pole  
signal plug



rotating angle of the plug



|   |  |   |                    |
|---|--|---|--------------------|
|  |  | <b>SIEMENS</b>                                  |                    |
| Einheit / unit: mm  |  | Synchron-Servomotor<br>Synchronous Servo Motor: | 1FT7082-5AC70-1DH0 |
| nicht tolerierte Maße /<br>not toleranced dimensions:                                 |  | Optionen / options:                             |                    |
| ±1  |  | Gewicht / mass:                                 | 18.3 kg            |
| Maßstab / scale: ohne / without   |  | Bemerkung / notice:                             |                    |
| CAD CREATOR 2.2 (WWW-Version V02.20.00.00)  |  | Druckdatum / print date:                        | 02.12.2019         |