

ORIOS™ PAR LED Lamps



Key Features & Benefits

- Dimmable down to 10%
- Long life up to 25,000 hours (L70)
- Indoor and outdoor rated
- Color temperature available in 3000K
- CRI >80
- Energy savings up to 86%
- Longer life than traditional halogen lamps
- No warm-up time, instant on with full light output and stable color

* Performance may vary depending on dimmer used in application. Please refer to Dimmer Compatibility List (RETRO-DIM) for a list of compatible dimmers or visit www.SYLVANIA.com/LEDretrofit



Rated up to 25,000 hours at 70% lumen maintenance, the ORIOS PAR LED lamp family offers years of service and reduced energy and maintenance costs. These lamps offer great value with energy savings up to 86% in comparison to traditional halogen lamps. The 80+ CRI ensures good color definition and can be used in many applications, both home and business. They are UL listed for use in damp locations and are RoHS compliant with no lead or mercury. They emit no UV or IR radiation that can cause fading and discoloration of fabric or artwork.

Product Offering

Ordering Abbreviation	Wattage	Beam Angle	Color Temperature	CRI
PAR20 LED	6, 7	30°	3000K	>80
PAR30LN LED	8, 10	30°	3000K	>80
PAR38 LED	11	30°	3000K	>80

Application Information

Applications

- General lighting
- Recessed downlights
- Track lighting
- Wall washer

Market Segments

- Offices
- Residential
- Restaurants

Application Notes

1. Operating Temperature: - 4°F to 104°F (-20°C to +40°C)
2. Use in fixtures that support a half pound lamp
3. Not for use with emergency light fixtures or exit lights
4. Use in open fixture
5. Suitable for use in UL rated fixture where protected from the weather.

This device complies with part 15 of the FCC Rules. Operation is subject to the following two conditions: (1) This device may not cause harmful interference, and (2) this device must accept any interference received, including interference that may cause undesired operation. For FCC Part 15 user information, please see www.sylvania.com/fcc15b.



Catalog #	Type
Project	
Comments	
Prepared by	

Ordering Information

Item Number	Ordering Abbreviation	Wattage (W)	Base Type	Replaces	Input Voltage (V)	Average Rated Life (hrs.)	CCT	Typical Lumens (lm)	CBCP	CRI	Beam Angle	Power Factor	ENERGY STAR®
79261*	LED6PAR20/DIM/830/FL30G2RP	6	Med	50W	120	25,000	3000K	450	900cd	82	30°	0.85	Yes
78785	LED7PAR20/DIM/830/FL30	7	Med	35W	120	25,000	3000K	450	1100cd	82	30°	0.8	Yes
79219*	LED8PAR30LN/DIM/830/FL30G2RP	8	Med	60W	120	25,000	3000K	650	1500cd	82	30°	0.85	Yes
78786	LED10PAR30LN/DIM/830/FL30	10	Med	50W	120	25,000	3000K	650	1500cd	82	30°	0.8	Yes
79259*	LED11PAR38/DIM/830/FL30G2RP	11	Med	65W	120	25,000	3000K	850	1950cd	82	30°	0.85	Yes
78412	LED11PAR38/DIM/830/FL30	11	Med	60W	120	25,000	3000K	800	2000cd	82	30°	0.8	Yes

*79261 replaces 78785, *79219 replaces 78786, *79259 replaces 78412

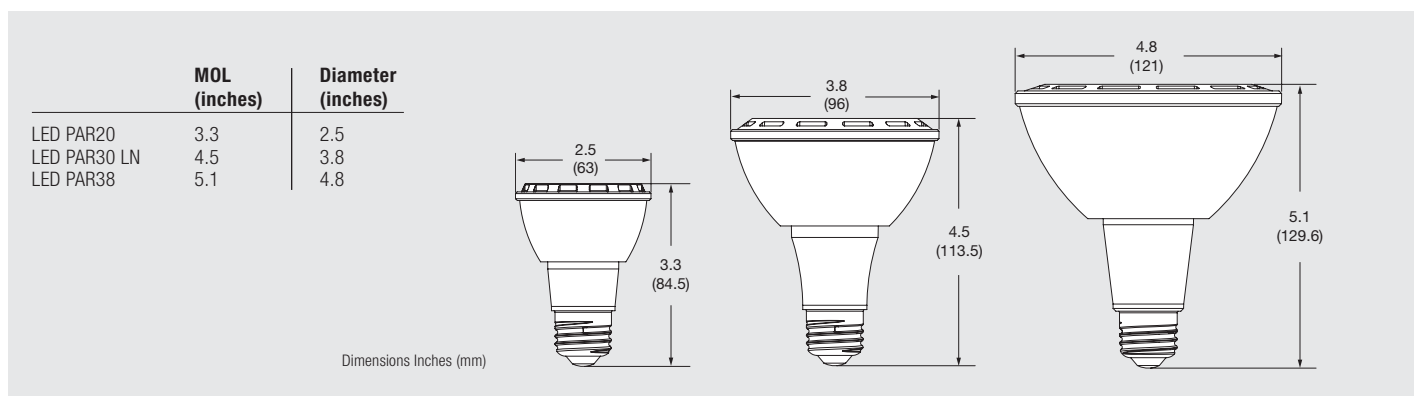
Ordering Guide

LED	11	PAR38	/	DIM	/	830	/	FL	30
LED Lamps	Wattage:	Lamp type: PAR38 PAR30LN PAR20		Dimmable		CRI=80 Color Temp. 3000K		Flood	Beam Angle

Energy Savings

Product Description	LED Life (hrs.)	Similar Halogen	Halogen Lumens	Watts Saved	Energy Savings	LED Life vs. Incandescent
LED6W PAR20	25,000	35W	360	29	\$79.75	10X
LED7W PAR20	25,000	35W	360	28	\$77.00	10X
LED8W PAR30LN	25,000	50W	660	42	\$115.50	10X
LED 10W PAR30LN	25,000	50W	660	40	\$110.00	10X
LED 11W PAR38	25,000	60W	800	49	\$134.75	10X

Lamp Dimensions



OSRAM

Americas Headquarters

OSRAM SYLVANIA Inc.

100 Endicott Street

Danvers, MA 01923 USA

Phone 1-800-LIGHTBULB (1-800-544-4828)

www.sylvania.com

SYLVANIA is a registered trademark of OSRAM SYLVANIA Inc.
LED CREATING TOMORROW is a registered trademark of OSRAM GmbH.
ORIOS is a trademark of OSRAM SYLVANIA Inc.
Specifications subject to change without notice.

/sylvania /sylvania

