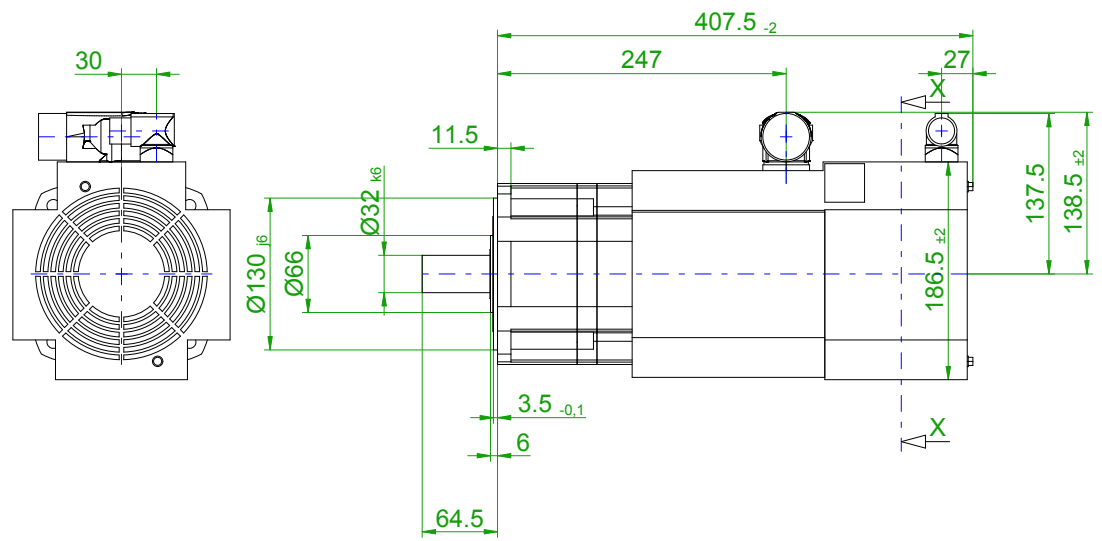
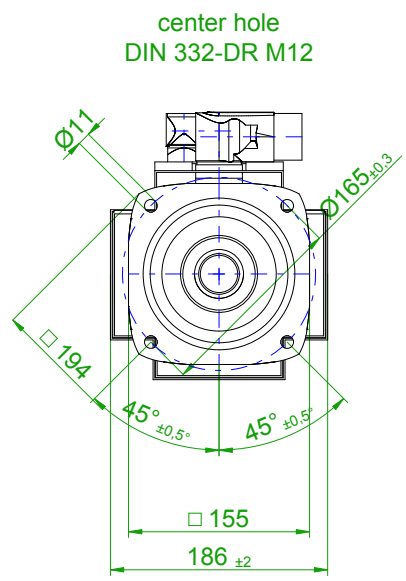


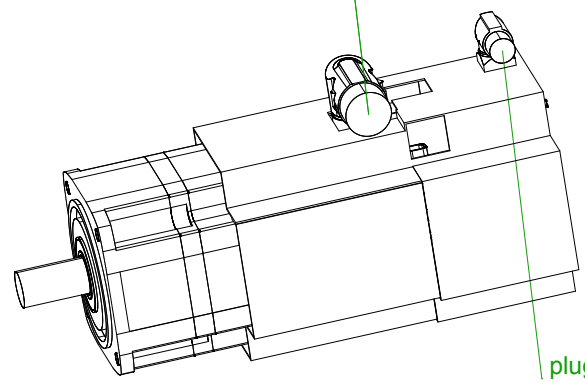
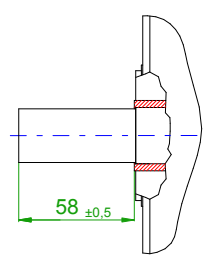
back view



front view

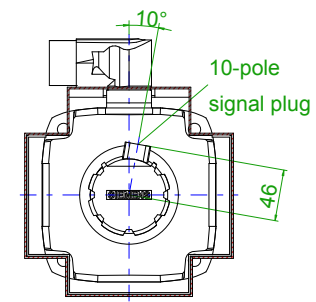


6-pole plug size 1.5 for power

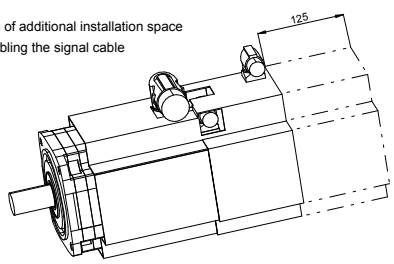


plug for fan port

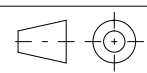
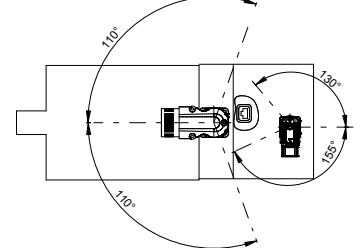
X-X



Take care of additional installation space for assembling the signal cable



rotating angle of the plug



SIEMENS

Einheit / unit: mm

Synchron-Servomotor
Synchronous Servo Motor:

1FT7085-7SF70-1BG1

nicht tolerierte Maße / not toleranced dimensions: ±1

Optionen / options:

Gewicht / mass:

33.9 kg

Maßstab / scale: ohne / without

Bemerkung / notice:

CAD CREATOR 2.2 (WWW-Version V02.20.00.00)

Druckdatum / print date:

13.02.2020