



circuit breaker 3VA6 UL frame 250 breaking capacity class L 150kA @ 480V 4-pole, line protection ETU330, LIG, In=100A overload protection Ir=40A...100A short-circuit protection Ii=1.5...12 x In N conductor protection adjustable (OFF, 50%, 100%) ground-fault protection Ig=0.2...1 x In= tg=0.1/0.3s without connection

| Model | |
|---|---|
| product brand name | SENTRON |
| product designation | Molded-case circuit breaker |
| product designation / according to UL file | LFAE-Y |
| Product version | System protection |
| design of the load switch / acc. to UL 489 / Heating, Air Conditioning, and Refrigeration circuit breaker (HACR Type) | Yes |
| design of the overcurrent release | ETU330 |
| protection function of the overcurrent release | LIG |
| number of poles | 4 |
| General technical data | |
| Tension assignée d'isolement Ui | 600 V |
| power loss [W] / maximum | 6.7 W |
| Active power loss / for rated value of the current / at AC / in hot operating state / per pole | 2.23 W |
| mechanical service life (operating cycles) / typical | 20 000 |
| Electrical endurance (switching cycles) / at AC-1 / at 380/415 V 50/60 Hz | 6 000 |
| Electrical endurance (switching cycles) / at AC-1 / at 690 V 50/60 Hz | 3 000 |
| electrical endurance (switching cycles) / at 480 V | 6 000 |
| electrical endurance (switching cycles) / at 600 V | 7 500 |
| Neutral conductors / upgradeable/retrofitable | No |
| ground-fault monitoring version | Summation current formation L + N-conductor |
| product function | |
| • communication function | No |
| • other measurement function | No |
| Current | |
| marking / acc. to UL 489 / 100%-rated breaker | Yes |
| operational current | |
| • at 55 °C | 100 A |
| • at 60 °C | 100 A |
| • at 65 °C | 100 A |
| • at 70 °C | 100 A |
| Switching capacity according to IEC 60947 | |
| switching capacity class of the circuit breaker | L |
| breaking capacity maximum short-circuit current (Icu) | |
| • at 240 V | 200 kA |

| | |
|--|------------------------------------|
| <ul style="list-style-type: none"> • at 415 V • at 690 V | 150 kA 3 kA |
| breaking capacity operating short-circuit current (Ics) <ul style="list-style-type: none"> • at 240 V • at 415 V • at 690 V | 200 kA 150 kA 3 kA |
| short-circuit current making capacity (Icm) <ul style="list-style-type: none"> • at 240 V • at 415 V • at 690 V | 440 kA 330 kA 4.5 kA |
| Switching capacity according to UL 489 | |
| breaking capacity current <ul style="list-style-type: none"> • at 240 V • at 480 V • at 600 Y/347 V • at 600 V | 200 kA 150 kA 50 kA 50 kA |
| Adjustable parameters | |
| Adjustable response value current / Ii min. | 150 A |
| Adjustable response value current / Ii max. | 1 200 A |
| Ground fault protection / tripping switchable / I2t=ON/OFF | Yes |
| Adjustable response value current / Ig min. | 20 A |
| Adjustable response value current / Ig max. | 100 A |
| Adjustable response value current / tg min. | 0.1 s |
| Adjustable response value current / Ig min. | 0.3 s |
| Mechanical Design | |
| height [in] | 7.8 in |
| Height | 198 mm |
| width [in] | 5.5 in |
| Width | 140 mm |
| depth [in] | 3.4 in |
| depth | 86 mm |
| Connections | |
| arrangement of electrical connectors / for main current circuit | Without connection |
| type of electrical connection / for main current circuit | Without |
| Auxiliary circuit | |
| number of CO contacts / for auxiliary contacts | 0 |
| Accessories | |
| product extension / optional / motor drive | Yes |
| Environmental conditions | |
| protection class IP / on the front | IP40 |
| ambient temperature <ul style="list-style-type: none"> • during operation / minimum • during operation / maximum • during storage / minimum • during storage / maximum | -25 °C 70 °C -40 °C 80 °C |
| Certificates | |
| reference code / acc. to IEC 81346-2 | Q |
| certificate of suitability / as approval for NAVAL (no combat vessels) / supplement SB | Yes |
| General Product Approval | |



[Miscellaneous](#)



| | | | |
|-----|---------------------------|-------------------|-------|
| EMC | Declaration of Conformity | Shipping Approval | other |
|-----|---------------------------|-------------------|-------|



[Miscellaneous](#)

Further information

Information- and Downloadcenter (Catalogs, Brochures,...)

<http://www.siemens.com/lowvoltage/catalogs>

Industry Mall (Online ordering system)

<https://mall.industry.siemens.com/mall/en/en/Catalog/product?mlfb=3VA6210-8HM41-2AA0>

Service&Support (Manuals, Certificates, Characteristics, FAQs,...)

<https://support.industry.siemens.com/cs/ww/en/ps/3VA6210-8HM41-2AA0>

Image database (product images, 2D dimension drawings, 3D models, device circuit diagrams, ...)

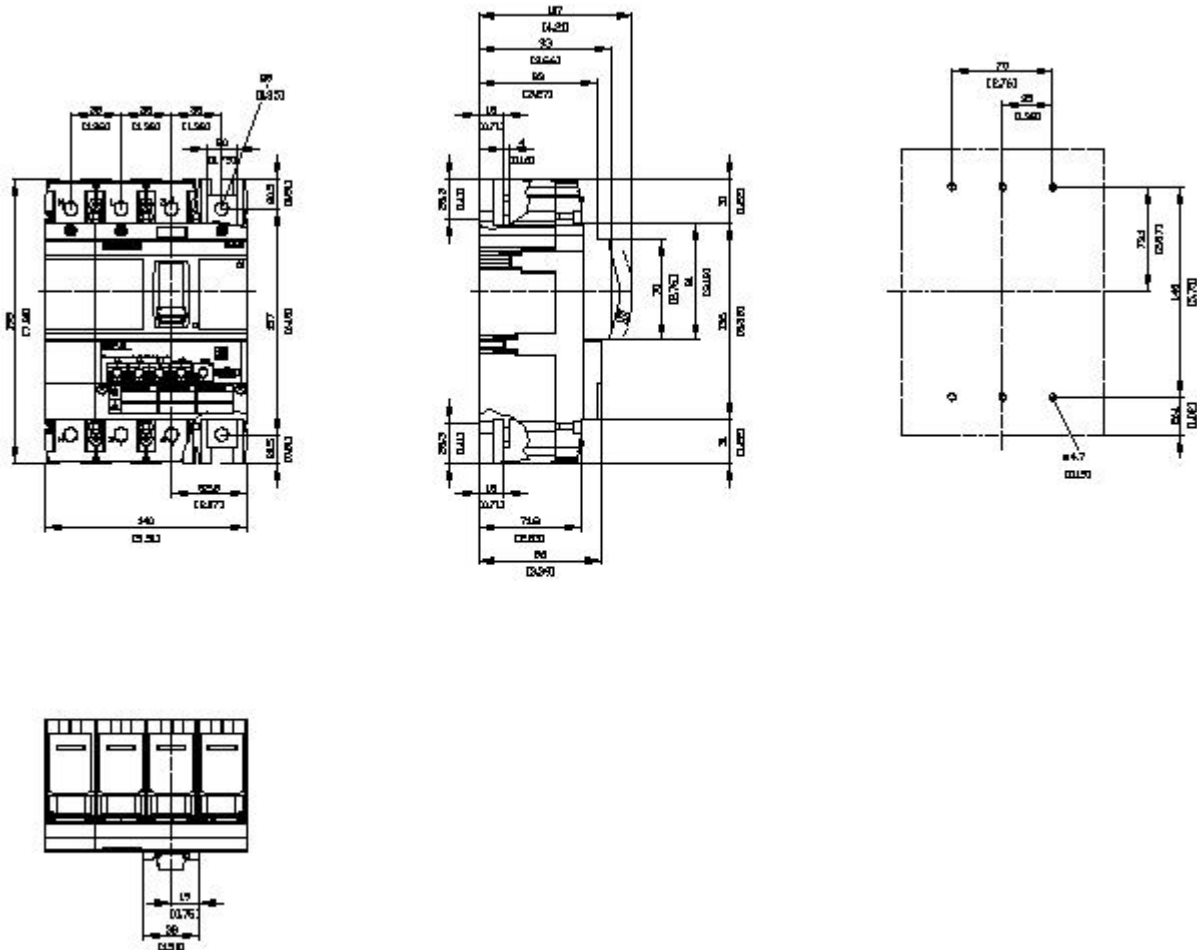
http://www.automation.siemens.com/bilddb/cax_en.aspx?mlfb=3VA6210-8HM41-2AA0

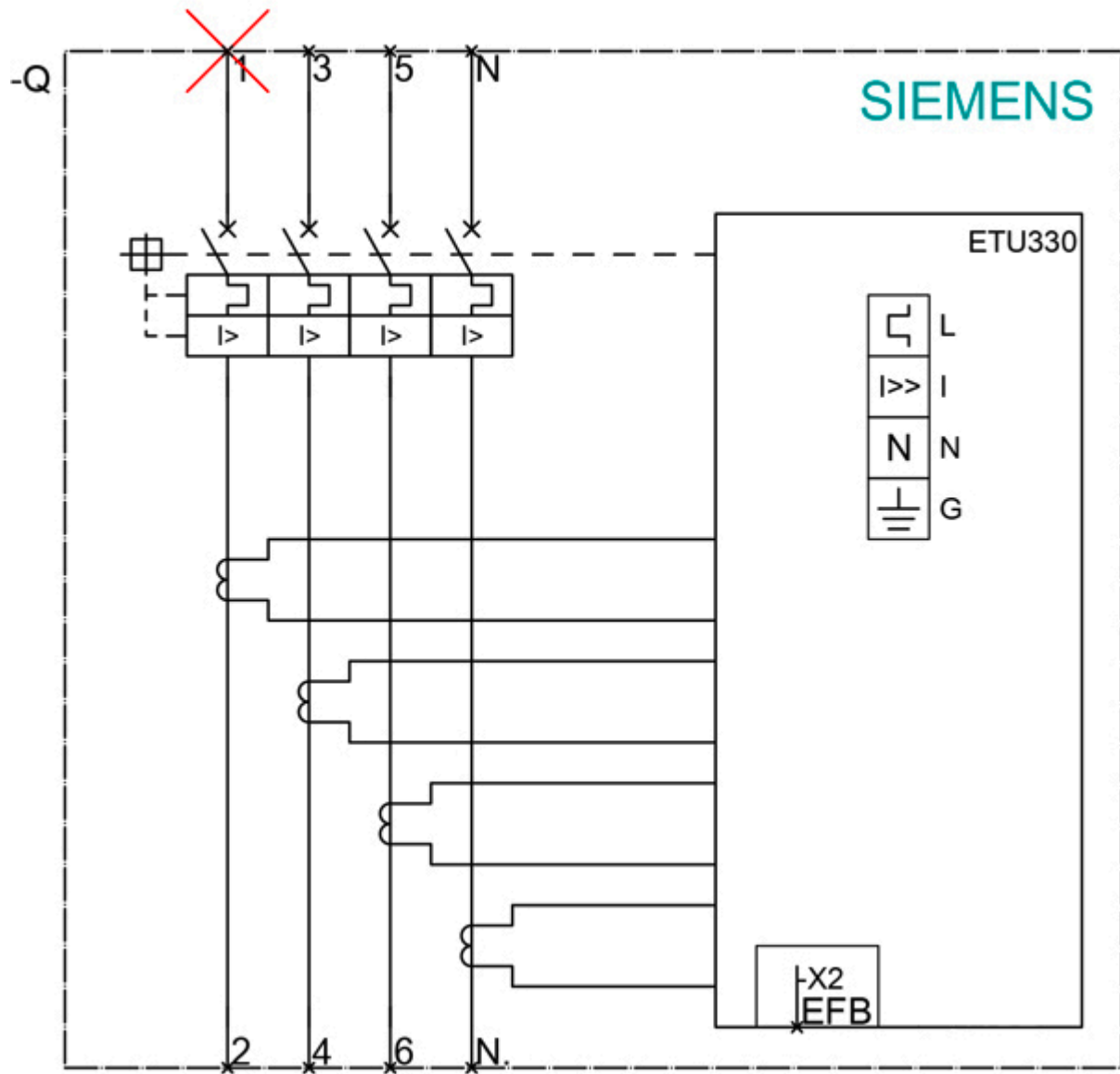
CAX-Online-Generator

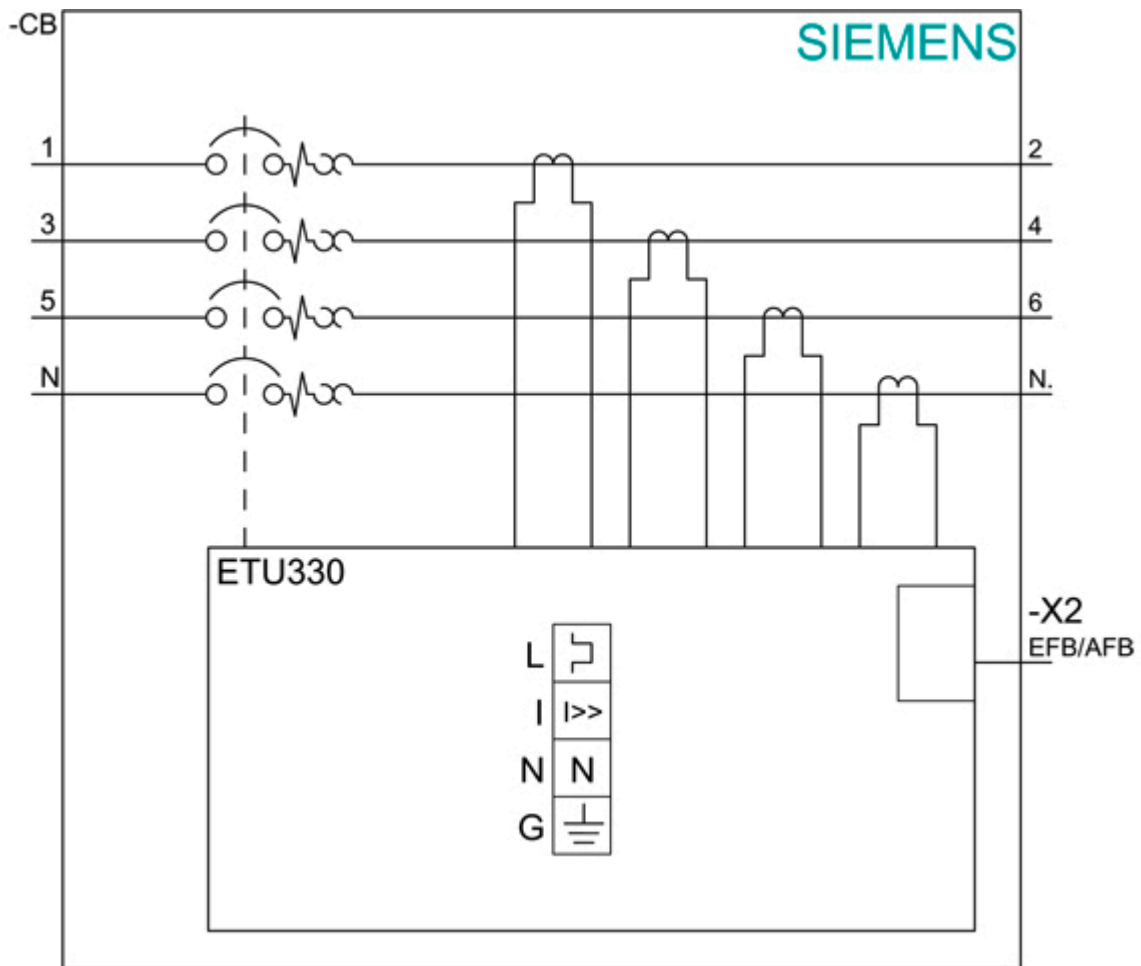
<http://www.siemens.com/cax>

Tender specifications

<http://www.siemens.com/specifications>







last modified:

12/18/2020 