



# KT-RHLED200PS-14C-8CSB-VDIM-P

## ROUND LED HIGH BAY FIXTURE

### DESCRIPTION

Compact Round LED High Bay Fixture | Wet Location Rated

### APPLICATION

Used for commercial and industrial high bay lighting applications



**10 YEAR LIMITED WARRANTY**

### PRODUCT FEATURES

- Features Keystone Power Select technology. Adjust power between 200W, 150W, or 100W
- Features Keystone Color Select technology. Adjust CCT between 3000/4000/5000K
- Designed to accept easy screw-in installation of optional sensors
- Powered by Keystone 0–10V dimming LED driver
- Ring-bolt mounting accessory included
- 6' cord for input and dimming wires
- Powder-coated aluminum housing; Polycarbonate lens
- Ribbed lens to reduce glare
- Low optical flicker
- Built-in 6kV surge protection
- LED lifetime: L70 >100,000 hours @ 25°C fixture ambient
- Ambient operating temperature: –40°C/–40°F to 50°C/122°F
- IP65 rated, wet location
- Listed on QPL DLC, Premium
- TAA options available, see Ordering Information below for details

### PERFORMANCE SPECIFICATIONS

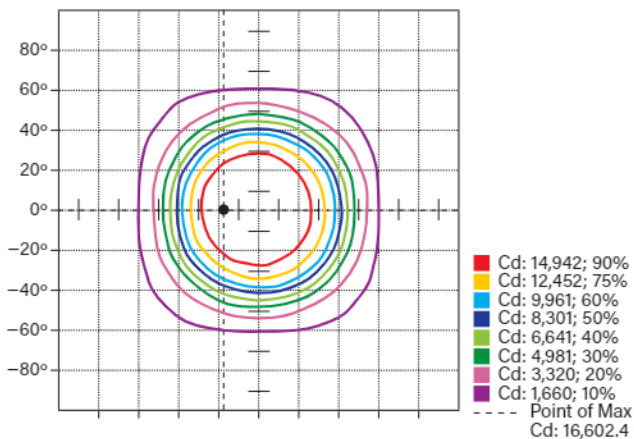
Catalog Number	Input Voltage	Wattage	Color Temperature	Lumen Output	Efficacy	Rated Life	CRI	Power Factor
KT-RHLED200PS-14C-8CSB-VDIM-P	120–277V	200W	3000K	28,400	142 lm/W	50,000 hrs	> 80	> 0.9
			4000K	33,000	165 lm/W			
			5000K	31,200	156 lm/W			
		150W	3000K	21,450	143 lm/W			
			4000K	24,750	165 lm/W			
			5000K	24,150	161 lm/W			
		100W	3000K	14,800	148 lm/W			
			4000K	16,500	165 lm/W			
			5000K	16,300	163 lm/W			

Note: Preset to highest lumen output (200W / 5000K)

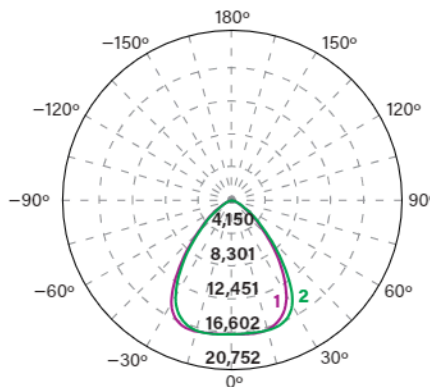
Note: Color uniformity: CCT (Correlated Color Temperature) range as per guidelines outlined in ANSI C78.377-2017

### PHOTOMETRIC SPECIFICATIONS

#### ISOCANDELA PLOT

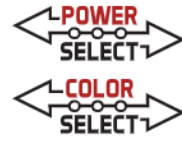


#### POLAR CANDELA DISTRIBUTION



#### ZONAL LUMEN SUMMARY

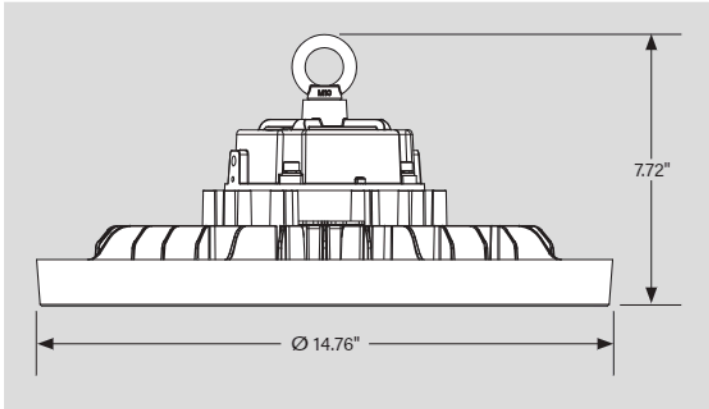
Zone	Lumens	% Luminaire
0–30	13,328.7	44.2%
0–40	20,615.9	68.4%
0–60	28,188.7	93.6%
60–90	1,897.0	6.3%
0–90	30,130.9	100%



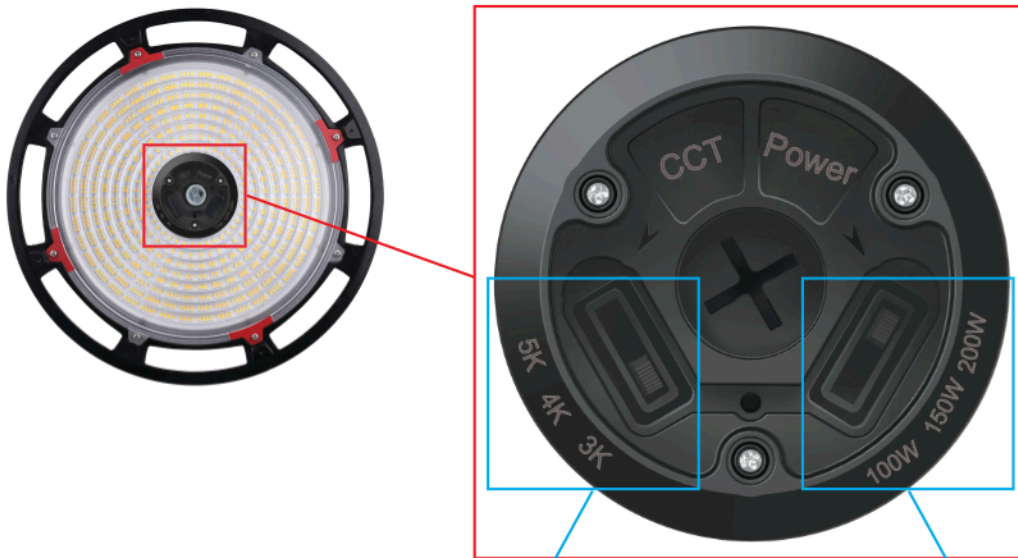
# KT-RHLED200PS-14C-8CSB-VDIM-P

## ROUND LED HIGH BAY FIXTURE

### PHYSICAL SPECIFICATIONS



### POWER SELECTION AND COLOR TEMPERATURE SELECTION CAPABILITY



**KEYSTONE COLOR SELECT TECHNOLOGY**  
Adjust CCT between 3000K, 4000K, or 5000K

**KEYSTONE POWER SELECT TECHNOLOGY**  
Adjust power between 200W, 150W, or 100W

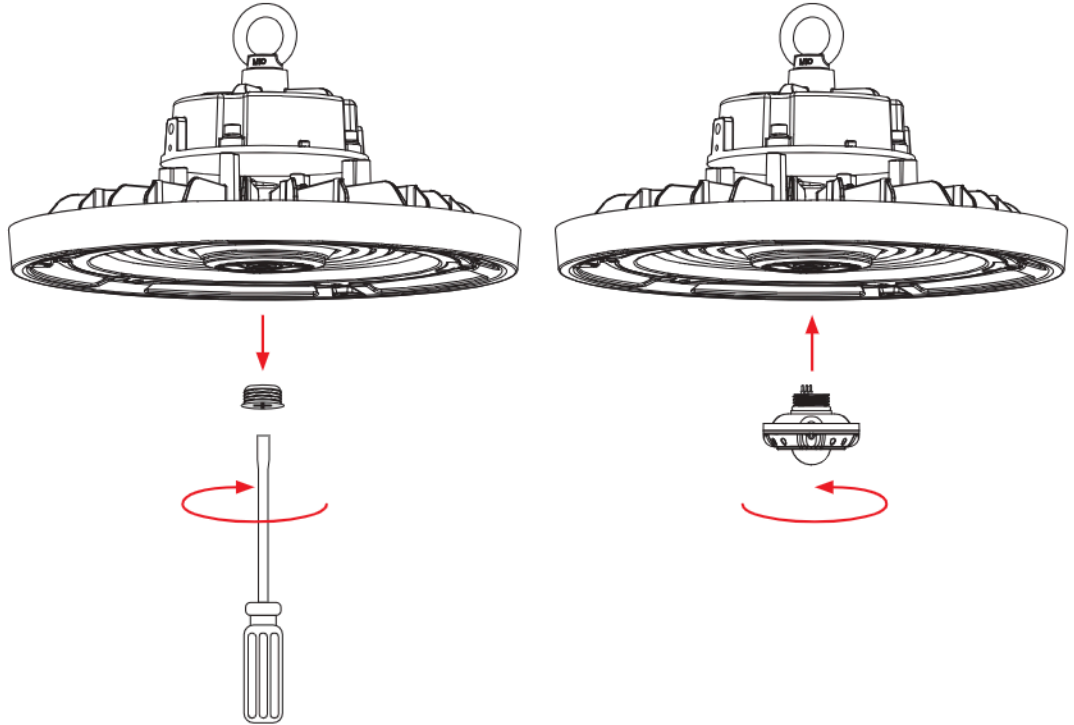


# KT-RHLED200PS-14C-8CSB-VDIM-P

## ROUND LED HIGH BAY FIXTURE

### QUICK-INSTALL

1. Ensure power is off to the fixture.
2. Remove 1/2" knock-out (KO) plug.
3. Screw in sensor head.  
(see illustrations)
4. Re-connect power when ready.
5. Program desired settings as needed with Keystone Remote Control.





# KT-RHLED200PS-14C-8CSB-VDIM-P

## ROUND LED HIGH BAY FIXTURE

### ACCESSORIES (continued)

#### SENSORS

Factory-Installable OR Field-Installable (field-installable purchased separately)

✓	SUFFIX*	CATALOG NUMBER	DESCRIPTION	UPC	EASY CODE
	/FC3**	KTSL-FC3-12V-PKO-PIR	Bluetooth mesh screw-in PIR occupancy sensor with built-in fixture controller for SmartLoop system	843654138862	OCW-60
	/PIR-A	KTS-PIR3-12V-PKO /A	Screw-in PIR sensor, preset for 1 min hold time, 3 min standby time at 30% dim, daylight disabled	843654133638	RXQ-30
	/PIR-B	KTS-PIR3-12V-PKO /B	Screw-in PIR sensor, preset for 5 min hold time, 10 min standby time at 10% dim, daylight disabled	843654133645	LEF-34
	/MW3-A	KTS-MW3-12V-PKO /A	Screw-in microwave sensor, preset for 1 min hold time, 3 min standby time at 30% dim, daylight disabled	843654133317	XYR-25
	/MW3-B	KTS-MW3-12V-PKO /B	Screw-in microwave sensor, preset for 5 min hold time, 10 min standby time at 10% dim, daylight disabled	843654133324	SPF-37

\* For factory installation of accessory, add suffix to fixture part number (see ordering examples and instructions on last page of spec sheet).

\*\* When installing on Keystone highbay lights and an IP tight connection is desired, use the xxxx gasket provided with the sensor to ensure proper electrical connection and water tight seal. Hand tighten only.



Field-Installable / Field-Use ONLY (purchased separately)

CATALOG NUMBER	DESCRIPTION	UPC	EASY CODE
KTS-MW3-REMOTECONTROL	Remote control for KTS-MW3-12V-PKO /A or /B and KTS-PIR3-12V-PKO /A or /B sensors, used to set and adjust all sensor settings	843654132020	XSR-61

#### CORD SETS & PLUGS

Factory-Installable OR Field-Installable (field-installable purchased separately)

✓	SUFFIX*	CATALOG NUMBER	DESCRIPTION	UPC	EASY CODE
	/L515P	KT-P-L515P	125V NEMA L5-15P twist lock plug	843654123486	GEW-06
	/L615P	KT-P-L615P	250V NEMA L6-15P twist lock plug	843654138619	VPX-09
	/L715P	KT-P-L715P	277V NEMA L7-15P twist lock plug	843654123493	ETV-78

\* For factory installation of accessory, add suffix to fixture part number (see ordering examples and instructions on last page of spec sheet).

Note: For cord sets not listed here, please contact your Keystone sales rep.

#### EMERGENCY BACKUP

Factory-Installable OR Field-Installable (field-installable purchased separately)

✓	SUFFIX*	CATALOG NUMBER	DESCRIPTION	UPC	EASY CODE
	/EM	KT-EMRG-LED-40SD-5000-CEN /SF	One Piece 40W Constant Wattage Design with Self Diagnostics. Approx 5000 lumens, Single Flex Cable with Included J-Box, 120-277V Input. CEC T20 Compliant.	843654144320	UGW-62

\* For factory installation of accessory, add suffix to fixture part number (see ordering examples and instructions on last page of spec sheet).

† Factory installation of emergency backup units will automatically include any relevant mounting bracket.

(Accessories continued on next page)

# KT-RHLED200PS-14C-8CSB-VDIM-P

## ROUND LED HIGH BAY FIXTURE

**ACCESSORIES (continued)**

**MOUNTS AND BRACKETS**

Factory-Installable OR Field-Installable (field-installable purchased separately)

✓	SUFFIX*	CATALOG NUMBER	DESCRIPTION	UPC	EASY CODE
	/WG	KT-RHLED-WG-2-KIT /G2	Thick steel wire guard, premium powdercoat construction, includes mounting hardware, fits all "14C" sized high bay fixtures	843654133270	PHU-26



\* For factory installation of accessory, add suffix to fixture part number (see ordering examples and instructions on last page of spec sheet).

Field-Installable / Field-Use ONLY (purchased separately)

CATALOG NUMBER	DESCRIPTION	UPC	EASY CODE
KT-RHLED-SM-2-KIT /G2	Steel surface mount kit, includes mounting hardware, fits all "14C" sized high bay fixtures	843654133256	BLT-11
KT-RHLED-JBOX-PM /G2	J-Box, optimized for pole pendant and step down transformer applications, fits all round LED high bay fixtures	843654133300	RAQ-94
KT-RHLED-AR90-2-KIT /G2	Aluminum dome reflector, 90 beam angle, includes mounting hardware, fits all "14C" sized high bay fixtures	843654133294	GBN-40
KT-RHLED-CL90-2-KIT /G2	Clear polycarbonate dome reflector with bottom lens, 90 beam angle, includes mouting hardware, fits all "14C" sized high bay fixtures	843654133621	SFZ-16
KT-RHLED-JHOOK	J Hook for Round LED High Bay Fixtures	843654134703	DDW-74



\* Screw in PIR sensors can not be used with KT-RHLED-CL90-2-KIT /G2

**STEP DOWN TRANSFORMER**

Factory-Installable OR Field-Installable (field-installable purchased separately)

✓	SUFFIX*	CATALOG NUMBER	DESCRIPTION	UPC	EASY CODE
	/480	KTAT-250-480-277 /SF	Fully enclosed, single flex step-down transformer for LED high bay fixtures (250VA or lower)	843654102931	XIM-17



\* Includes KT-RHLED-JBOX-PM /G2 mounting accessory. Suitable for hanging installation only, no pendant, with 480V Step Down Transformer installed.



# KT-RHLED200PS-14C-8CSB-VDIM-P

## ROUND LED HIGH BAY FIXTURE

### ORDERING INFORMATION

ORDER CODE	PACK QTY.	UPC	Easy Code	DLC PRODUCT ID
KT-RHLED200PS-14C-8CSB-VDIM-P	1	843654132938	XNC-69	P8IG8M5G
KT-RHLED200PS-14C-8CSB-VDIM-P /TAA	1	843654158617	LLN-45	

### CATALOG NUMBER BREAKDOWN

# KT-RHLED200PS-14C-8CSB-VDIM-P

<b>1</b> Keystone Technologies	<b>8</b> Color Selectable	<b>2</b> Fixture Type	<b>6</b> Size / Shape
<b>2</b> Fixture Type	<b>9</b> Color Select Designation	<b>7</b> RH Round High Bay	<b>10</b> 14C 14" Diameter
<b>3</b> LED Technology	<b>10</b> Dimming	<b>9</b> B 3000K, 4000K, 5000K	<b>11</b> VDIM 0-10V
<b>4</b> Wattage	<b>11</b> Premium Series	<b>12</b> Blank Black	<b>13</b> /TAA Made in Mexico
<b>5</b> Power Selectable	<b>12</b> Housing Color	<b>W</b> White	
<b>6</b> Size / Shape	<b>13</b> TAA Compliant		
<b>7</b> 80 CRI			

### ORDERING EXAMPLES

FIXTURE WITH MULTIPLE FACTORY-INSTALLED ACCESSORIES\*

**KT-RHLED200PS-14C-8CSB-VDIM-P /FC3/L515P/EM/WG/480**

FIXTURE WITH MULTIPLE FACTORY-INSTALLED ACCESSORIES\*

**KT-RHLED200PS-14C-8CSB-VDIM-P /FC3/EM/WG**

FIXTURE WITH TWO FACTORY-INSTALLED ACCESSORIES\*

**KT-RHLED200PS-14C-8CSB-VDIM-P /FC3/L515P**

FIXTURE WITH SINGLE FACTORY-INSTALLED ACCESSORY

**KT-RHLED200PS-14C-8CSB-VDIM-P /FC3**

FIXTURE WITH NO FACTORY-INSTALLED ACCESSORIES

**KT-RHLED200PS-14C-8CSB-VDIM-P**

\* When ordering more than one factory-installed accessory, use multiple suffixes as shown in the ordering examples above.  
**Note:** All accessories can also be ordered separately for field installation using just their regular Catalog Number, UPC, or Easy Code.

#### KEYSTONE FIXTURE

CATALOG NUMBER
KT-RHLED200PS-14C-8CSB-VDIM-P

#### SENSORS

SUFFIX	CATALOG NUMBER
<input checked="" type="checkbox"/> /FC3	KTSL-FC3-12V-PKO-PIR

#### CORD SETS

SUFFIX	CATALOG NUMBER
<input checked="" type="checkbox"/> /L515P	KT-P-L515P

#### EMERGENCY BACKUP

SUFFIX	CATALOG NUMBER
<input checked="" type="checkbox"/> /EM	KT-EMRG-LED-40SD-5000-CEN /SF

#### MOUNTS AND BRACKETS

SUFFIX	CATALOG NUMBER
<input checked="" type="checkbox"/> /WG	KT-RHLED-WG-2-KIT /G2

#### STEP DOWN TRANSFORMER

SUFFIX	CATALOG NUMBER
<input checked="" type="checkbox"/> /480	KTAT-250-480-277 /SF