

Catalog Numbers

| Catalog No. | Amperage Rating Max | Max Interrupting Rating | Catalog No. | Amperage Rating Max | Max Interrupting Rating |
|---|---------------------|-------------------------|-------------------------------------|---------------------|-------------------------|
| 1 PHASE, 3 WIRE, 120/240V AC MAX | | | 3 PHASE, 4 WIRE, 240V AC MAX | | |
| WEB1700B | 700 | 65,000 | WEB3700B | 700 | 65,000 |
| WEB1700BU | 700 | 100,000 | WEB3700BU | 700 | 100,000 |
| WEB1800B | 800 | 65,000 | WEB3800B | 800 | 65,000 |
| WEB1800BU | 800 | 100,000 | WEB3800BU | 800 <td 100,000 | |

- TYPE 3R OUTDOOR ENCLOSURE
- MAIN BUS RATING: 1200A MAX.
- FOR UNDERGROUND SERVICE ONLY
- COMPLIES WITH EUSERC DWG. NOs. 315, 343, and 347

Order Catalog Numbers below for units with Lug Kits factory installed.

| CATALOG Number | BASE Number | with Lug Kit Factory Installed |
|----------------|-------------|--------------------------------|
| WEB1700BA6 | WEB1700B | LK13500N2 |
| WEB1700BUA6 | WEB1700BU | LK13500N2 |
| WEB1700BA11 | WEB1700B | LK12600N2 |
| WEB1700BUA11 | WEB1700BU | LK12600N2 |
| WEB1700BA15 | WEB1700B | LK12750N2 |
| WEB1700BUA15 | WEB1700BU | LK12750N2 |
| WEB3700BB6 | WEB3700B | LK33500N2 |
| WEB3700BUB6 | WEB3700BU | LK33500N2 |
| WEB3700BB11 | WEB3700B | LK32600N2 |
| WEB3700BUB11 | WEB3700BU | LK32600N2 |
| WEB3700BB15 | WEB3700B | LK32750N2 |
| WEB3700BUB15 | WEB3700BU | LK32750N2 |
| WEB1800BA6 | WEB1800B | LK13500N2 |
| WEB1800BUA6 | WEB1800BU | LK13500N2 |
| WEB1800BA11 | WEB1800B | LK12600N2 |
| WEB1800BUA11 | WEB1800BU | LK12600N2 |
| WEB1800BA15 | WEB1800B | LK12750N2 |
| WEB1800BUA15 | WEB1800BU | LK12750N2 |
| WEB3800BB6 | WEB3800B | LK33500N2 |
| WEB3800BUB6 | WEB3800BU | LK33500N2 |
| WEB3800BB11 | WEB3800B | LK32600N2 |
| WEB3800BUB11 | WEB3800BU | LK32600N2 |
| WEB3800BB15 | WEB3800B | LK32750N2 |
| WEB3800BUB15 | WEB3800BU | LK32750N2 |

Additional Modules, Accessories, and Lug Kits

| FOR USE WITH: | | |
|--------------------|--------------------------|------------------|
| Module Description | Siemens Series# | Murray Series# |
| Main Breakers | (W)MC, WB, WEB | DB W |
| Switches | WMP, WMS, WS, WES | DPT W, DT W |
| Tap/Terminal Boxes | WMTB, WTB, WET | DTB_W |
| Meter Module | WMM, WxMM, WMT, WML, WMK | DG_W, DC_W, DL_W |
| Extension Box | WMEX, WSP | DS |
| Busseled Elbow | (W)BE | DL |

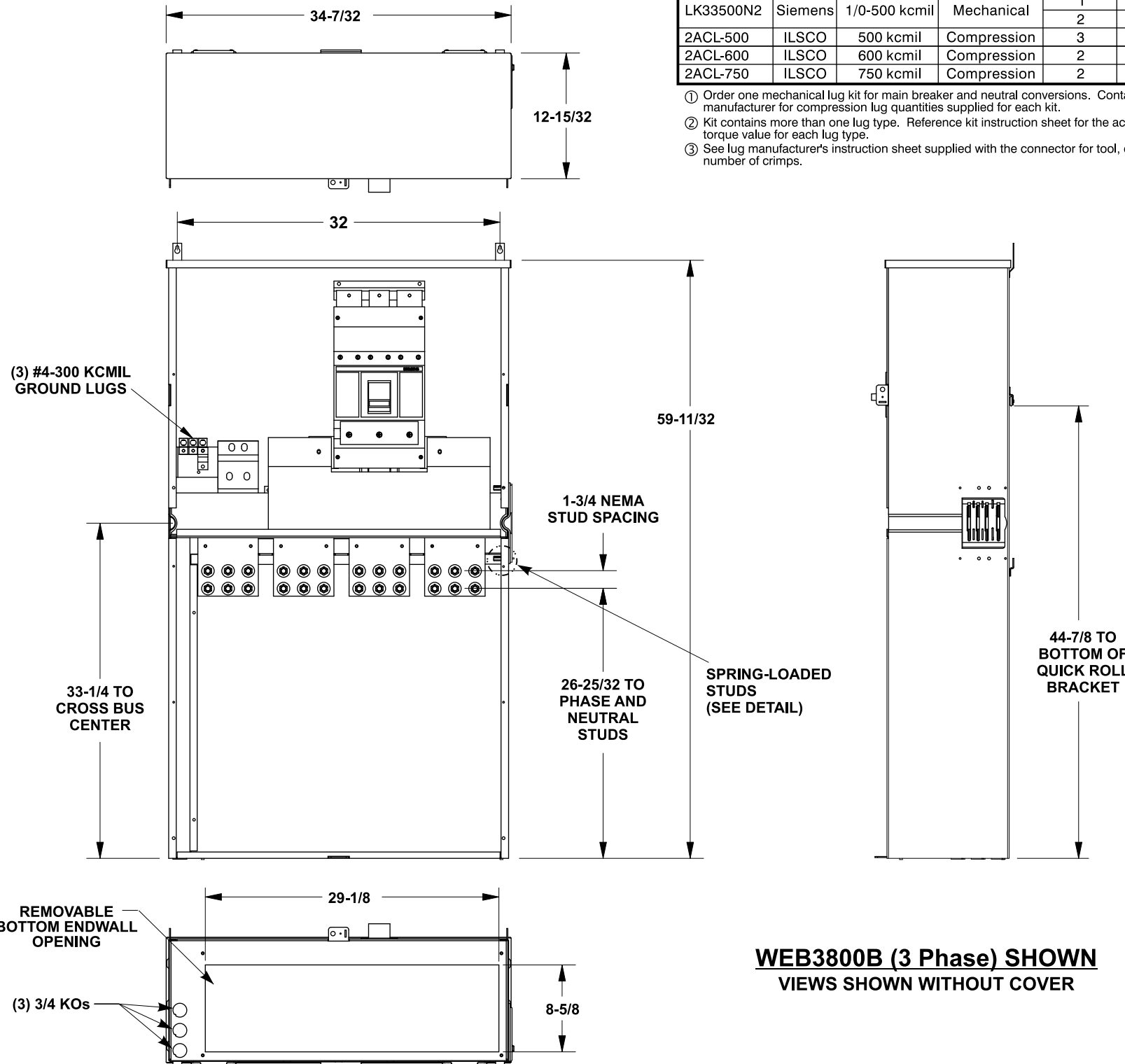
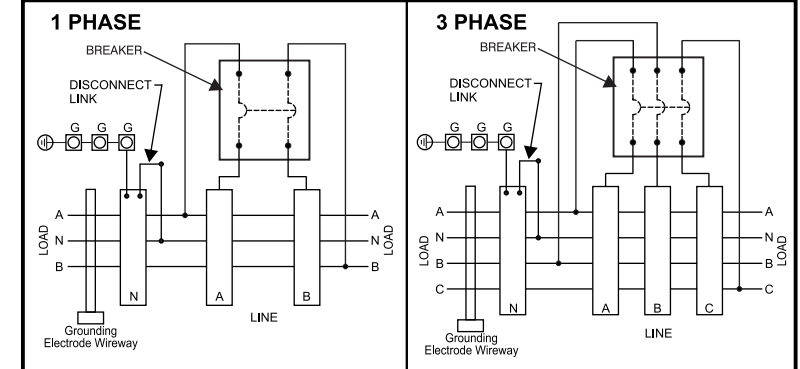
| Connect Modules Using | Catalog Number / Torque |
|-----------------------|--|
| QuickConnect | QC1 (1ph) or QC4 (3ph) 400-440 lb-in (35-36 ft.-lb.) Torque |
| Single Bolt Joint | SBJ1 (1ph) or SBJ4 (3ph) 400-480 lb-in (35-40 ft.-lb.) Torque |

| 1 Phase: Lugs for Phase and Neutral Connections (not supplied) | | | | | | |
|--|---------|---------------|-------------|---------------------|------------------|--|
| NEMA Lug ^① | MFG | Wire Range | Type | No. Wires per phase | Torque (lb.-in.) | |
| LK12600N2 | Siemens | #2-600 kcmil | Mechanical | 2 | 375 | |
| LK12750N2 | Siemens | 300-750 kcmil | Mechanical | 2 | 500 | |
| LK13500N2 | Siemens | 1/0-500 kcmil | Mechanical | 1 | 375 ② | |
| | | | | 2 | 500 ② | |
| 2ACL-500 | ILSCO | 500 kcmil | Compression | 3 | NA ③ | |
| 2ACL-600 | ILSCO | 600 kcmil | Compression | 2 | NA ③ | |
| 2ACL-750 | ILSCO | 750 kcmil | Compression | 2 | NA ③ | |

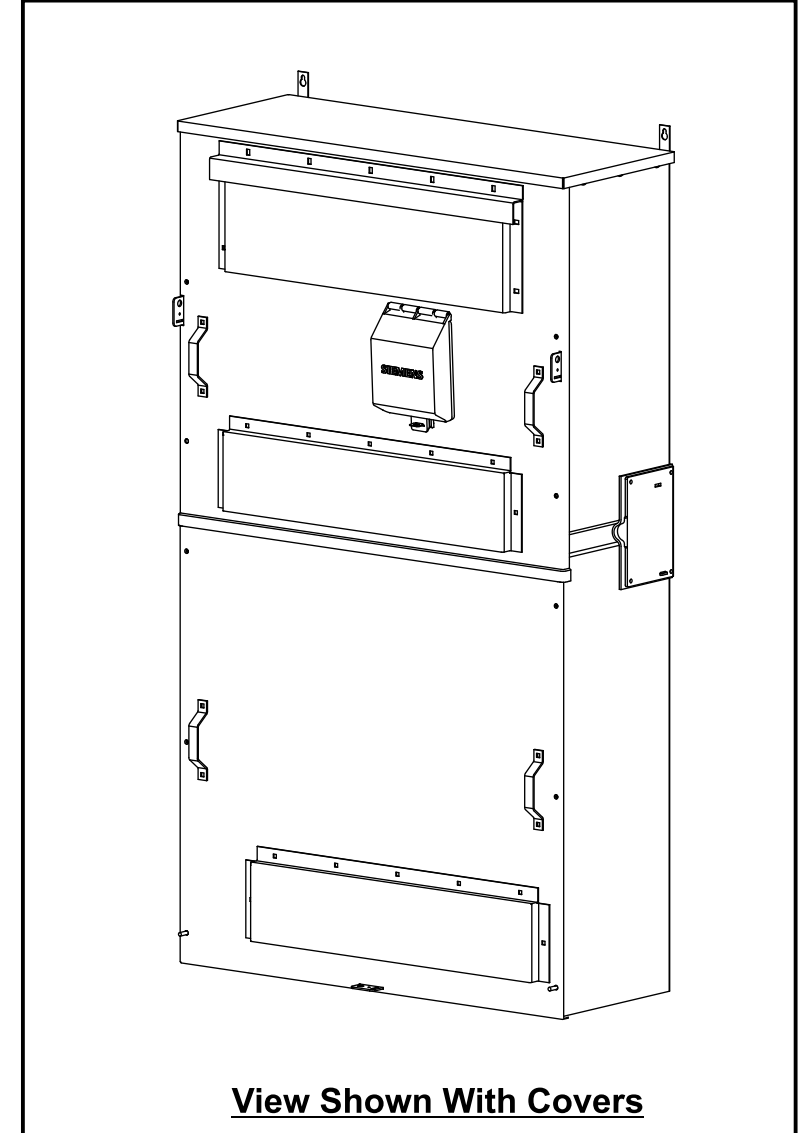
| 3 Phase: Lugs for Phase and Neutral Connections (not supplied) | | | | | | |
|--|---------|---------------|-------------|---------------------|------------------|--|
| NEMA Lug ^① | MFG | Wire Range | Type | No. Wires per phase | Torque (lb.-in.) | |
| LK32600N2 | Siemens | #2-600 kcmil | Mechanical | 2 | 375 | |
| LK32750N2 | Siemens | 300-750 kcmil | Mechanical | 2 | 500 | |
| LK33500N2 | Siemens | 1/0-500 kcmil | Mechanical | 1 | 375 ② | |
| | | | | 2 | 500 ② | |
| 2ACL-500 | ILSCO | 500 kcmil | Compression | 3 | NA ③ | |
| 2ACL-600 | ILSCO | 600 kcmil | Compression | 2 | NA ③ | |
| 2ACL-750 | ILSCO | 750 kcmil | Compression | 2 | NA ③ | |

- ① Order one mechanical lug kit for main breaker and neutral conversions. Contact lug manufacturer for compression lug quantities supplied for each kit.
- ② Kit contains more than one lug type. Reference kit instruction sheet for the actual torque value for each lug type.
- ③ See lug manufacturer's instruction sheet supplied with the connector for tool, die, and number of crimps.

Schematics



WEB3800B (3 Phase) SHOWN
VIEWS SHOWN WITHOUT COVER



© 2017 Copyright Siemens Industry, Inc.

SIEMENS
Siemens Industry, Inc.

PowerMod™ Breaker Mains

Description: **WEB1700B thru WEB3800BU**
(EUSERC) Service Entrance Breaker Mains

KAM 8/15/17 Fam . DO NOT SCALE Dwg. No. **700-800A_E_SE_Brkr_Mains**