



Disconnect Switches and Fuse Blocks

Bulletin Numbers 1491, 1494F, 1494G, 1494H, 1494U

Topic	Page
Summary of Changes	2
Disconnect Switches – Overview	3
Bulletin 1494U Universal Visible Blade Flange Disconnect Switches	5
Bulletin 1494F Fixed-Depth Flange-Mounted Disconnect Switches	25
Bulletin 1494G Safety Disconnect Switches – Heavy Industrial	31
Bulletin 1494G Safety Disconnect Switches – Hazardous Locations	47
Bulletin 1494H Safety Disconnect Switches – Heavy-duty	49
Bulletin 1491 Control Circuit Fuse Blocks	55
Bulletin 1491 Power Fuse Blocks	59
Additional Resources	73

Summary of Changes

This publication contains the following new or updated information.
This list includes substantive updates only and is not intended to reflect all changes.

Topic	Page
Updated figures for Universal Handle with Support Bracket, 200 A Cable Operator	21
Added new figure for Switch with Cable Bracket 30...100 A	22
Added figures for 1494U-R600 kit and 1494U application for 600A H style	72
Updated Industrial Safety Disconnect, Accessories, Specification and Approximate dimensions tables	Throughout

Overview

The Allen-Bradley® 1494G and 1494H Industrial Safety Disconnect Switches are designed for industrial and heavy commercial applications, and for hazardous locations. 1494U universal visible-blade flange disconnect switch provides you with the extra level of visual ON or OFF indication of a knife-blade disconnect design. Disconnect switches offer ratings from 30 A to 600 A, fusible or non-fusible, incorporate a Flange style handle, and carry certifications for UL, CSA, CE, and CCC.



Parameter	1494G Heavy Duty Industrial	1494G Hazardous Locations	1494H Heavy Duty Industrial	1494F Flanged-Mounted	1494U Universal
Description	Industrial Duty	Hazardous Locations	Heavy Duty	Industrial Duty	Industrial Duty
Panel Mounting Location	Flange-mounted handle	Side-mounted handle	Side-mounted handle	Fixed-Depth Flange-Mounted Disconnect	Flange-mounted handle
Switch Ratings	30...600 A at 600V AC	30, 60, 100 A	30...200 A at 600V AC	30, 60, 100 A	30...600 A at 600V AC and 250/600V DC
Fuse Versions	Fusible and non-fusible	Non-fusible	Fusible and non-fusible	Fusible and non-fusible	Fusible and non-fusible
Fuse Accommodations	Class J, R, and H	—	Class J, R, and H	Class J, R, and H	J, R, and H
Enclosure Types	Type 3R/4/12 and 4X	Type 3R, 7, and 9 bolted enclosure with breather and drain	Type 1, 3R, and 12	Type 1, 3R, and 12	For use with Type 3R/4/12 and 4X
Safety Feature – Visible Blade Construction	✓	✓	✓	✓	✓
Handle Lockable position					
200 kA A.I.C. With Proper Fusing	✓		✓		✓
NFPA 79 Compliant – Handle Always Linked to Switch	✓	✓	✓	✓	✓
Product Selection	page 31	page 47	page 49	page 25	page 6

Certifications and Standards of Compliance

Parameter	1494G Heavy Duty Industrial	1494G Hazardous Locations	1494H Heavy Duty Industrial	1494F Flanged-Mounted	1494U Universal
Certifications	cULus Listed – File No. E227497; Guide No. WIAX	cULus Listed – File No. E239523; Guide No. WPRP	CSA Certified – File No. LR1234	CSA Certified – File No. LR1234	CSA Certified – File No. LR1234
			UL Listed – File No. E227497; Guide No. WIAX	UL Listed – File No. E47426; Guide No. WIITY	UL Listed – File No. E47428; Guide No. WHTY
	RoHS	RoHS	RoHS	RoHS	RoHS, CE, CCC
Standards Compliance	CSA C22.2 No. 4				CSA C22.2 No. 4 UL 98
	UL 98				
	UL 508				

Notes:

Bulletin 1494U Universal Visible Blade Flange Disconnect Switches

Overview

The Allen-Bradley® 1494U universal visible-blade flange disconnect switch provides you with the extra level of visual ON or OFF indication of a knife-blade disconnect design. This disconnect switch addresses needs across industries that have a global customer base by providing UL, CSA, CE, and CCC ratings in a single product line. You can choose from fusible or non-fusible versions. These disconnect switches can be operated with either rods or cables.

Bulletin 1494U offers up to 30% space savings over the previous Bulletin 1494F product. It is rated for installation in flange enclosure offerings, and features a universal mechanism for both flange cable or rod applications, simplifying the selection. The fused switch offers a choice of J or R class fuse clips, and the IP20 fuse cover offers line-and-load-size finger protection. The flexible cable operator is available in 3...6 in. (76.2...152.4 mm) length and offer greater freedom to locate the switch within the enclosure.

Bulletin 1494U is designed and tested to North American and international standards.



Catalog Number Explanation - Factory Assembled Kits

Examples that are given in this section are for reference purposes. This basic explanation is not to be used for product selection; not all combinations produce a valid catalog number. The examples that are listed represent factory-assembled kits.

1494U - R - 30 - C3 - LA - M - PC
a b c d d d d

a	
Bulletin Number	
Code	Description
1494U	Disconnect switch, rod, or cable operated

b	
Fusing ⁽¹⁾	
Code	Description
N	Non-fusible
J	Class J fuse
R	Class R fuse

c	
Switch Rating	
Code	Description
30	30 A
60	60 A
100	100 A
200	200 A
400	400 A
600	600 A

d	
Options ⁽²⁾	
Code	Description
CR	Threaded rod
C3	Cable length: 3 ft (0.91 m)
C4	Cable length: 4 ft (1.2 m)
C5	Cable length: 5 ft (1.5 m)
C6	Cable length: 6 ft (1.8 m)
HJ ⁽¹⁾	J 200/400A fuse clips
LA ⁽³⁾	Lugs – Aluminum (Al) or Copper (Cu) wire
LC ⁽³⁾	Lugs – Cu wire
M	Painted metal handle
N	Non-metallic handle
NC	(1) N.C. auxiliary contact – 10 A
NO	(1) N.O. auxiliary contact – 10 A
NCNO	(1) N.C. and (1) N.O. auxiliary contact – 10 A
NCNC	(2) N.C. auxiliary contact – 10 A
NONO	(2) N.O. auxiliary contact – 10 A
PC	Protective cover – for line and load
S	Stainless ⁽⁴⁾

- (1) 30...100 A Class J fused kits are supplied with clips. 200 A and 400 A J fuses are direct mounted, or can be supplied as part of the kit using the “-HJ” code. The class H options are not configurable. Fuse clips must be selected separately.
- (2) Operating mechanism, lugs, and handle are required selections. Options must be listed in alphabetical order to create a valid catalog number.
- (3) Standard lugs supplied with 30/60/100 A devices. See [Lug Table](#) for 200/400/600 A lug options.
- (4) Chrome plated steel for NEMA Type 4.

Lug Table

Code	Switch Rating [A]	Conductor Type	Cat. No.
blank ⁽¹⁾	30	Al	1494U-LA36
	60	Al	
	100	Al	1494U-LA100
LC	200	Cu	1494U-LC200
LA	200	Al Cu	1494U-LA200
LC	400	Cu	1494R-N14
LC1	400	Cu	1494R-N15
LA	400	Al	1494U-LA400
LC ⁽²⁾	600	Cu	1494R-N10
LCR ⁽³⁾	600	Cu	1494R-N11
LC1	600	Cu	1494R-N12
LA	600	Al	1494U-LA600

- (1) Supplied with disconnect switch.
- (2) Class J fuses.
- (3) Class R fuses.

Product Selection

Use the components product selection tables for user-assembled devices.



Universal Disconnect Switches

Continuous Current Rating [A]	Maximum Horsepower - UL and CSA Applications [V]									Maximum kW - IEC Applications (Category AC 23) [V]			Cat. No.
	3-Phase, 60 Hz					1 Phase, AC		DC ⁽¹⁾		3-Phase, 50 Hz			
	115V	200...208	230	460	575	115	230	250	600	220...240V	380...440V	500...600V	
30	3	7.5	7.5	15	20	2	3	—	15	5.5	11	15	1494U-D30 ⁽²⁾
60	7.5	15	15	30	50	3	10	—	30	11	22	37	1494U-D60 ⁽²⁾
100	—	25	30	60	75	—	—	—	50	22	45	55	1494U-D100 ⁽²⁾
200	—	50...60	60	125	150	—	—	—	40	48	90	110	1494U-D200
400	—	75	125	250	350	—	—	50	—	90	185	257	1494U-D400
600	—	150	200	400	500	—	—	50	—	150	295	375	1494V-DS600

- (1) Ratings are based on 2 poles in series to break one line of the DC supply voltage and the remaining pole to break the second DC supply line.
- (2) Terminal lugs are installed on the line side of each disconnect switch. Additional terminal lugs are included with each disconnect switch for field installation on the load side of the switch or on the fuse block.

Variable Rod Operator – Rod and Support Bracket



Disconnect Switch Size [A]	Enclosure Working Depth [in. (mm)] ⁽¹⁾		Cat. No.
	Minimum	Maximum	
30, 60, 100, 200	6-3/4 (172)	19 (483)	1494U-R1
200	6-3/4 (172)	9-1/8 (232)	1494V-RA3
200	9-1/8 (232)	21-5/8 (585)	1494V-RA4
400, 600	9-1/2 (241)	10 (254)	1494V-RB3 ⁽²⁾
400, 600	9-1/2 (241)	23 (584)	1494V-RB4 ⁽²⁾

- (1) Enclosure depth is measured from the top of the flange to the disconnect switch mounting surface.
- (2) This kit includes two connecting rods.

Operating Handles



Handle Type ⁽¹⁾	Description	Mounting	Disconnect Switch Size [A]	Cat. No.
Type 1, 3R, 4, 4X, 12	Non-metallic	Right or Left Flange	30, 60, 100, 200	1494U-HP1 ⁽²⁾
				1494F-P1
Type 1, 3R, 4, 12	Painted Metal	Right or Left Flange	30, 60, 100, 200	1494U-HM1 ⁽²⁾
				1494F-M1
				1494F-M2 ⁽²⁾
Type 4, 4X	Stainless	Right or Left Flange	30, 60, 100, 200	1494U-HS1 ⁽²⁾
				1494F-S1
				1494F-S2

(1) Handles are lockable in OFF or ON positions.
 (2) Kits include the listed operating handle type.

Cable Operator Mechanism



Disconnect Switch Size [A]	Cable Length [ft (m)]	Cat. No.
30, 60, 100	3 (0.91)	1494U-C313
	4 (1.22)	1494U-C314
	5 (1.52)	1494U-C315
	6 (1.83)	1494U-C316
200	4 (1.22)	1494U-C24
	5 (1.52)	1494U-C25
	6 (1.83)	1494U-C26
400	4 (1.22)	1494U-C44
	5 (1.52)	1494U-C45
	6 (1.83)	1494U-C46
600	4 (1.22)	1494U-C64
	5 (1.52)	1494U-C65
	6 (1.83)	1494U-C66

Trailer Fuse Block Kits




Disconnect Switch Size [A]	Fuse	Cat. No.
30	See Fuse Clip Kits on page 8	1494U-F30
60		1494U-F60
100		1494U-F100
200		1494U-F200
400		1494U-F400
600	Class J	1494V-FS600
	Class H	1491-N621 ⁽¹⁾
	Class R	1491-R621 ⁽¹⁾

(1) Separately mounted fuse blocks (3 are required).



See [Fuses on page 70](#) for approximate fuse dimensions.

Fuse Clip Kits

Product	Fuse Class	Fuse Clip Rating		Cat. No. ⁽¹⁾	
		250V	600V		
	H	30	—	1494U-FC302J	
		60	30	1494U-FC30J	
		—	60	1494U-FC60J	
		100	100	1494U-FC100J	
		200	200	1401-N45	
		400	400	1401-N46	
		600	600	—	
	J	—	30	30	1494U-FC30J
			60	60	1494U-FC60J
			100	100	1494U-FC100J ⁽²⁾
			200	200	1401-N45 ⁽²⁾
			400	400	1401-N46 ⁽²⁾
	R	—	30	—	1494U-FC302R
			60	30	1494U-FC30R
			—	60	1494U-FC60R
			100	100	1494U-FC100R
			200	200	1401-N54
			400	400	1401-N55
			600 ⁽³⁾	600 ⁽³⁾	—

(1) Six clips are included per kit.
 (2) Fuse clips are not required when bolted to a terminal.
 (3) Included with Bulletin 1491 separately mounted fuse blocks.

Accessories

Auxiliary Contacts and Electrical Interlocks





Description		Contacts	Disconnect Switch Size [A]	Cat. No.	
Auxiliary Contact		<ul style="list-style-type: none"> Indicates ON/OFF status of Bulletin 1494U Duplicates position of switch blades QuadConnect™ contact 2.5 A C300, R150 	1 N.O.	30...200	1494U-NOLV
			1 N.C.	30...200	1494U-NCLV
	<ul style="list-style-type: none"> Indicates ON/OFF status of Bulletin 1494U Duplicates position of switch blades Standard contact 10 A A600, Q600 -N8X, -N9X low energy switching 	1 N.O.	30...200	1494U-NO	
		1 N.C.	30...200	1494U-NC	
		1 N.O.	400	1495-N8	
		1 N.O.	400	1495-N8X	
		1 N.C.	400	1495-N9X	
		1 N.C.	400	1495-N9	
		1 N.O.	600	595-A	
1 N.C.	600	595-B			
Contact Adapter Kit ⁽¹⁾		One adapter kit required per auxiliary contact	—	600	595-N1
Electrical Interlock ⁽²⁾		<ul style="list-style-type: none"> Removes system voltage from electronics to help prevent damage by transient voltage that is caused by opening the switch Early break 10 A 250V AC/DC 	2 N.O.	30...100	1494U-AE
		<ul style="list-style-type: none"> Removes system voltage from electronics to help prevent damage by transient voltage that is caused by opening the switch Early break Right-hand mechanism 	1 N.O. and 1 N.C.	400	1495-N43
			1 N.O. and 1 N.C.	600	1495-N34 ⁽³⁾
			2 N.O. and 2 N.C.	400	1495-N44
			2 N.O. and 2 N.C.	600	1495-N35
		<ul style="list-style-type: none"> Removes system voltage from electronics to help prevent damage by transient voltage that is caused by opening the switch Early break Standard contact 	2 N.O. and 2 N.C.	200	1494U-AE200
Control Voltage Taps		2 per package	—	30...100	1494U-ALT31
				200	1494U-ALT200
				400	1494R-N19
				600	1494U-ALT600
Defeater Bracket Extension Kit		<ul style="list-style-type: none"> For use with operating handles that do not align properly with the door catch or door hardware on enclosures with a rolled lip flange construction. 	—	30...200	1494V-H12
Channel Support Kit		<ul style="list-style-type: none"> For use to prevent flexing of the operating handle mounting surface. This is especially useful when the operating handle is mounted on a channel in a multi-door enclosure. 	—	30...200	1494V-H15

(1) One adapter kit is required per auxiliary contact.

(2) Not configurable; must be purchased individually.









(3) An additional adapter kit, Cat. No. 1495-N36, is required for installation.

Fuse Covers



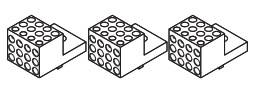
Product	Disconnect Switch Size [A]	Fuse Class	Fuse Clip Rating		Use with Fuse Clips	Cat. No.	
			250V	600V		Fuse Cover	IP20 and IP1XB Fuse Cover
	30, 60, 100	Non-fusible	—	—	—	1494U-PC1	1494U-PC2-IP20 ⁽¹⁾
	30	H, J	30	—	1494U-FC302J		
	30	R	30	—	1494U-FC302R		
	30	H, J	—	30	1494U-FC30J		
	60	H, J	—	60	1494U-FC60J	1494U-PC2	1494U-PC2-IP20 ⁽¹⁾
	100	H, J	—	100	1494U-FC100J		
	30	R	—	30	1494U-FC30R		
	60	R	—	60	1494U-FC60R		
100	R	—	100	1494U-FC100R			
	200	H, J	200	200	1401-N45	1494U-PC200	1494U-PC200-IP20
		R	200	200	1401-N54	1494U-PC200	1494U-PC200-IP20
	400	H, J	400	400	1401-N46	1494U-PC400	1494U-PC400-IP1XB
		R	400	400	1401-N55		
	600	Non-fusible	—	—	—	1495-N61	—
		H, J	400	400	1401-N46		
		R	400	400	1401-N55		
		J	600	600	— ⁽²⁾		
		H, R	600	600	1491-R621 1491-N621	1495-N69 ⁽³⁾	—

(1) For use with fused disconnects or non-fused is a larger enclosure.
 (2) Fuse clips are not required when bolted to the terminals.
 (3) For use with separately mounted fuse blocks. See publication [1495-IN012](#).

Terminal Lug Connectors

Product ⁽¹⁾	Disconnect Switch Size [A]	Conductor Type	Number of Conductors	Wire Size [AWG]	Cat. No.	
	30...60	Cu wire	1	14...4	1494U-LC36	
			2	14...8		
			4	16		
	30...60	Cu wire	1	14...2	1494U-LA36 ⁽²⁾	
			Al wire	1		12...2
			Cu wire	2 ⁽³⁾		14...10
Al wire			2 ⁽³⁾	12...10		
100	Cu wire	1	8...1/0	1494U-LC100		
	100	Cu Wire	1	14...1/0	1494U-LA100 ⁽²⁾	
			Al wire	1		12...1/0
			Cu wire	2 ⁽³⁾		12...4
			Al wire	2 ⁽³⁾		12...4
	200	Cu wire	1	6...250 MCM	1494U-LC200	
		Cu or Al wire	1	6...250 MCM	1494U-LA200	
	400	Cu wire	2	1/0...250 MCM	1494R-N14	
			1	4/0...500 MCM	1494R-N15 ⁽⁴⁾	
	600	Cu wire	2	1/0...350 MCM (Class J fuse)	1494R-N10	
	400	Cu or Al wire	2	6 AWG...300 MCM	1494U-LA400	
	600	Cu wire	2	1/0...350 MCM (Class H/R fuse)	1494R-N11 ⁽⁵⁾	
	600	Cu wire	1	1/0...500 MCM	1494R-N12 ⁽⁵⁾	
	600	Cu or Al wire	2	1/0...500 MCM	1494U-LA600	

Multiple Cable Terminal Lugs – for multiple motor application (load side only)


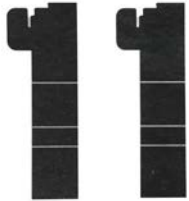

	30...100	Cu wire	6	14...4	1494U-LM31
		Al wire	6	12...4	
		Cu or Al wire	6 ⁽⁶⁾	(2) 10	
	200	Cu or Al wire	6	14...4	1494U-LM200
	400	Cu or Al wire	12	14...4	1494U-LM400
	600	Cu or Al wire	12	14...4	1494U-LM600

- (1) Package quantity of 3.
- (2) Supplied standard with 1494U kits.
- (3) Wire pairs must be consistent in type, strand, and wire size.
- (4) When the Cat. No. 1494R-N15 lug kit is used, the switch is not to exceed a load current of 380 A.
- (5) For use with Cat. No. 1491-N621 or Cat. No. 1491-R621 separately mounted fuse blocks. Package quantity of 2.
- (6) Allows for (2) #10 (Cu or Al) per terminal.



See [page 70](#) for approximate fuse dimensions.

Replacement Parts

Product	Description	Cat. No.
	Hardware Kit for 30...100 A disconnect switches • Includes (4) mounting screws and (1) line-side shield	1494U-K31
	Hardware Kit for 30...100 A fuse blocks • Includes (2) mounting screws and (2) phase barriers.	1494U-PB31
	200 A phase barrier	1494U-PB200
	400 A phase barrier	1494F-PH5
	600 A phase barrier...contact Technical Support	...

Specifications

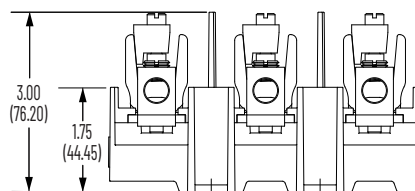
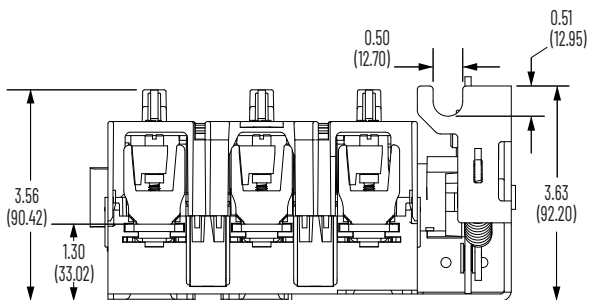
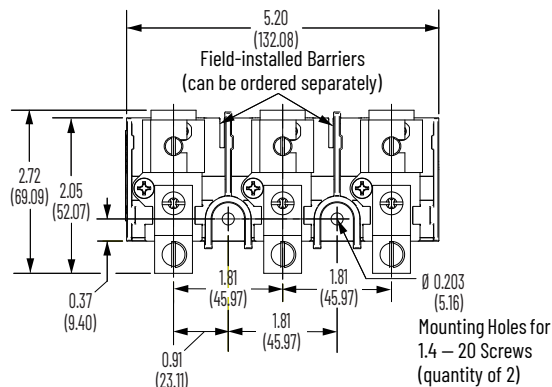
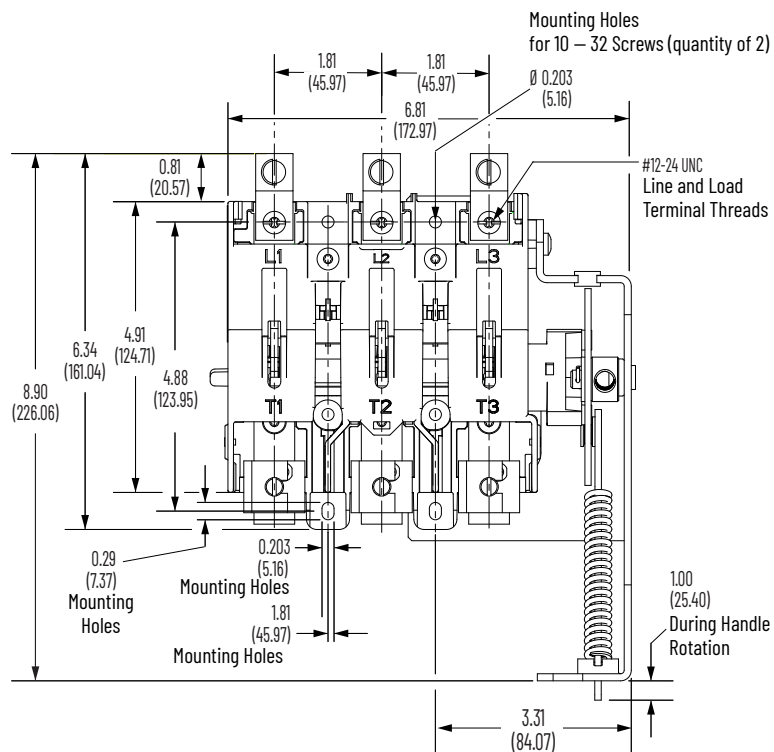
1494U Disconnect Switch Specifications

Disconnect Switch Electrical Ratings									
Switch Size			30	60	100	200	400	600	
Rated Insulation voltage U_i (UL) IEC			(600) 660V						
Rating UL/CSA/NEMA	Hp	230V/60 Hz	7.5	15	30	60	125	200	
		460V/60 Hz	15	30	60	125	250	400	
		575V/60 Hz	20	50	75	150	350	500	
		250V DC	5	10	20	40	50	50	
	Continuous Current	600V DC	30	60	100	200	400	600	
	250V DC								
Ratings IEC Applications	Maximum kW (AC23)	220V/50 Hz	5.5	11	22	48	90	150	
		440V/50 Hz	11	22	45	90	185	295	
		550V/50 Hz	15	37	55	110	257	375	
Auxiliary Contact Electrical Ratings⁽¹⁾									
Standard Contact 1 N.O. or 1 N.C.	NEMA/EEMAC	A600 ⁽²⁾ , Q600							
	IEC	AC 15, DC 13 to IEC/EN60947-5-1 and UL 508, 17V, 5 mA minimum							
Low-level Contact 1 N.O. or 1 N.C.	NEMA/EEMAC	C300, R150							
	IEC	AC 15, DC 13 to IEC/EN60947-5-1 and UL 508, 5V, 1 mA minimum							
Electrical Interlock Ratings									
Standard Contact 2 N.O.		NEMA/EEMAC	10 A: 250V AC, 0.3 A: 250V DC						
Mechanical									
Degree of Protection	Operating handles		Non-metallic Type 1, 3R, 4, 4X, 12 Painted Type 1, 3R, 4, 12 Stainless Type 4, 4X			Painted Type 1, 3R, 4, 12 Stainless Type 4, 4X			
Switch Size			30 A	60 A	100 A	200 A	400 A	600 A	
Mechanical Life (typical operations)			10 000		8000	6000	5000		
Switching Frequency (operations/min), maximum			6		5	4	3		
Environment Specifications									
Ambient Temperature	Open		-20...+60 °C (-4...+140 °F)						
	Enclosed		-20...+40 °C (-4...+104 °F)						
	Storage		-40...+65 °C (-40...+149 °F)						
Altitude (per IEC 947-1)	2000 m (6562 ft)								
Relative Humidity (per IEC 947-1)	90% at +20 °C (+68 °F) and 50% at +40 °C (+104 °F)								
Design Specification/Test Requirements									
Dielectric Strength	2200V for 1 minute								
Short-circuit Withstand Capability	10 000 A, 600V AC/DC: unfused or with Class H fuses 10 000 A, 600V DC: with Class J or Class R fuses 200 000 A, 600V AC: with Class J or Class R fuses								
Construction									
Switch Body Material	Glass-filled thermoplastic					Glass-filled thermoset plastic			
Switch Size			30 A	60 A	100 A	200 A	400 A	600 A	
Conductor Size	See Replacement Parts on Page 10								
Switches, Mechanisms, and Accessory Kits	Zinc-plated steel, RoHS compliant finish								

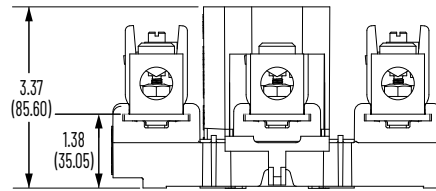
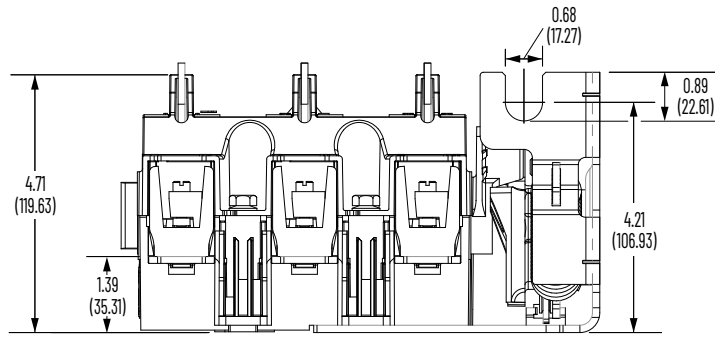
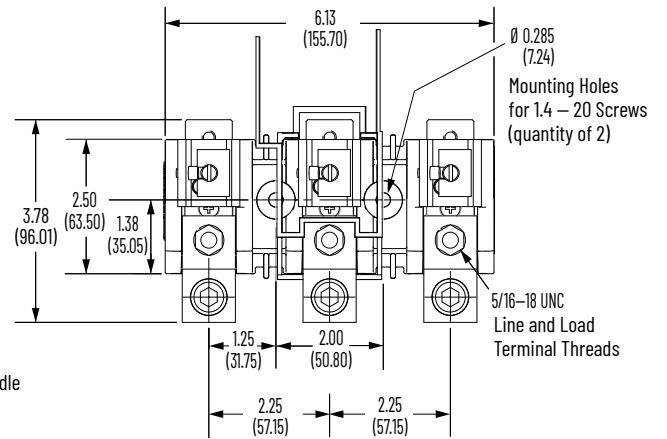
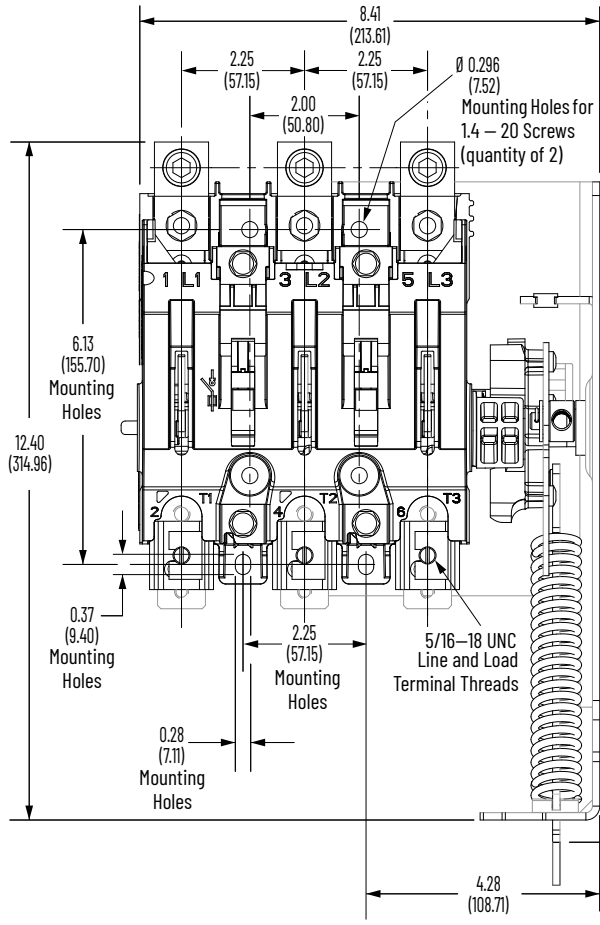
(1) Refer to general data for contact ratings, see [NEMA Ratings and Test Values for auxiliary contacts on page 71](#)

(2) The rating for 1 N.O., 200 A is B600.

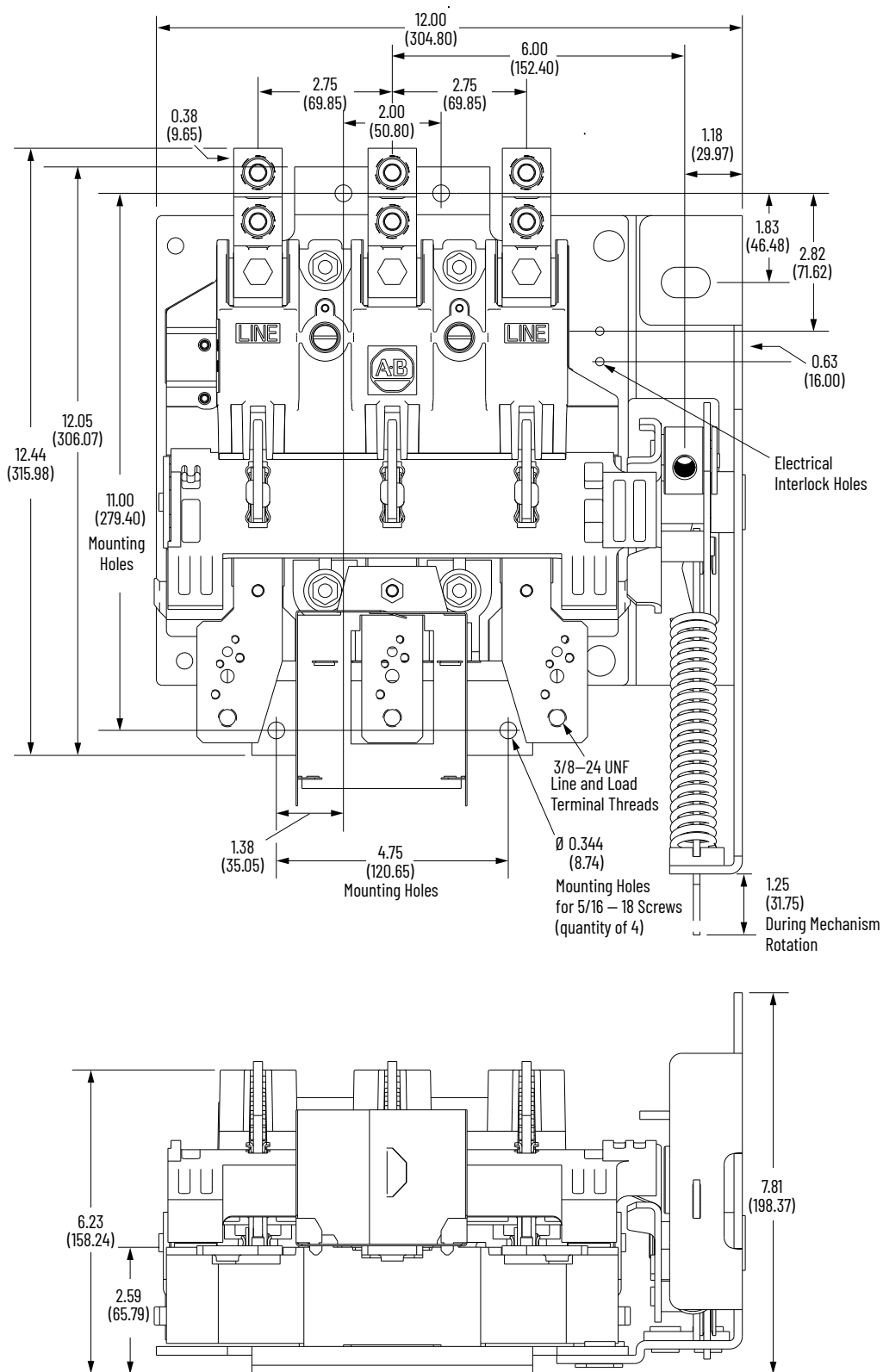
Universal Disconnect Switch and Fuse Block, 100 A



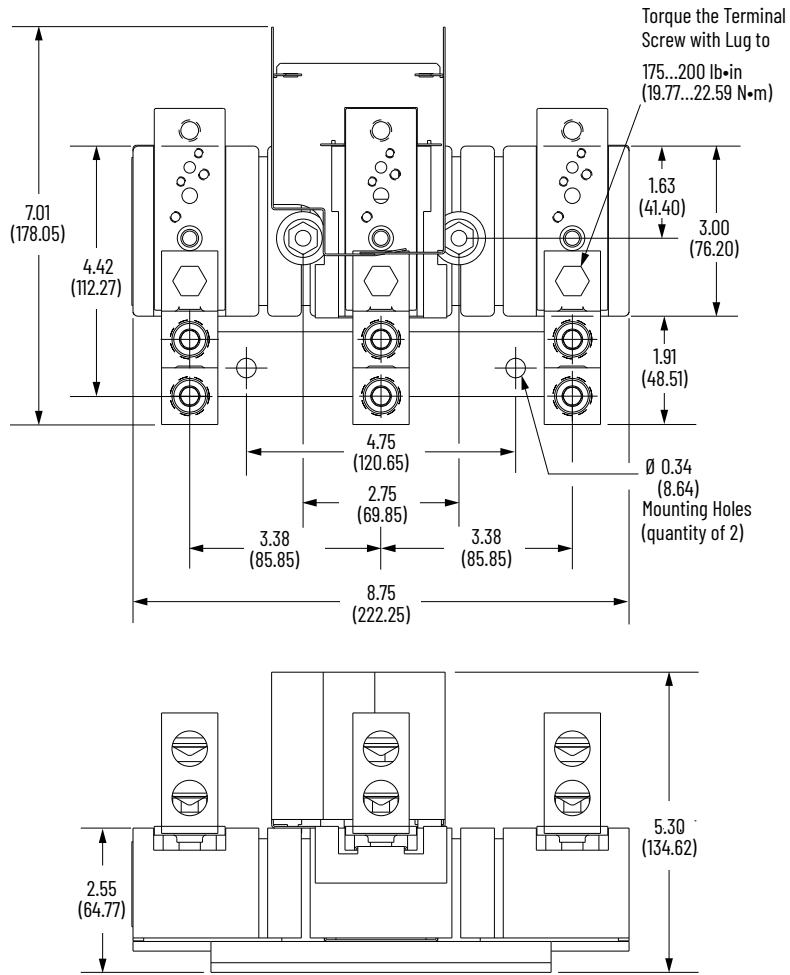
Universal Disconnect Switch and Fuse Block, 200 A



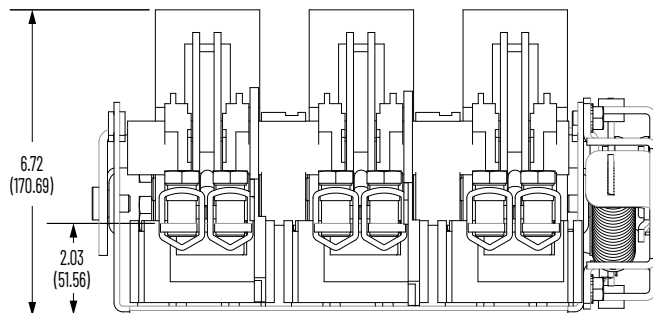
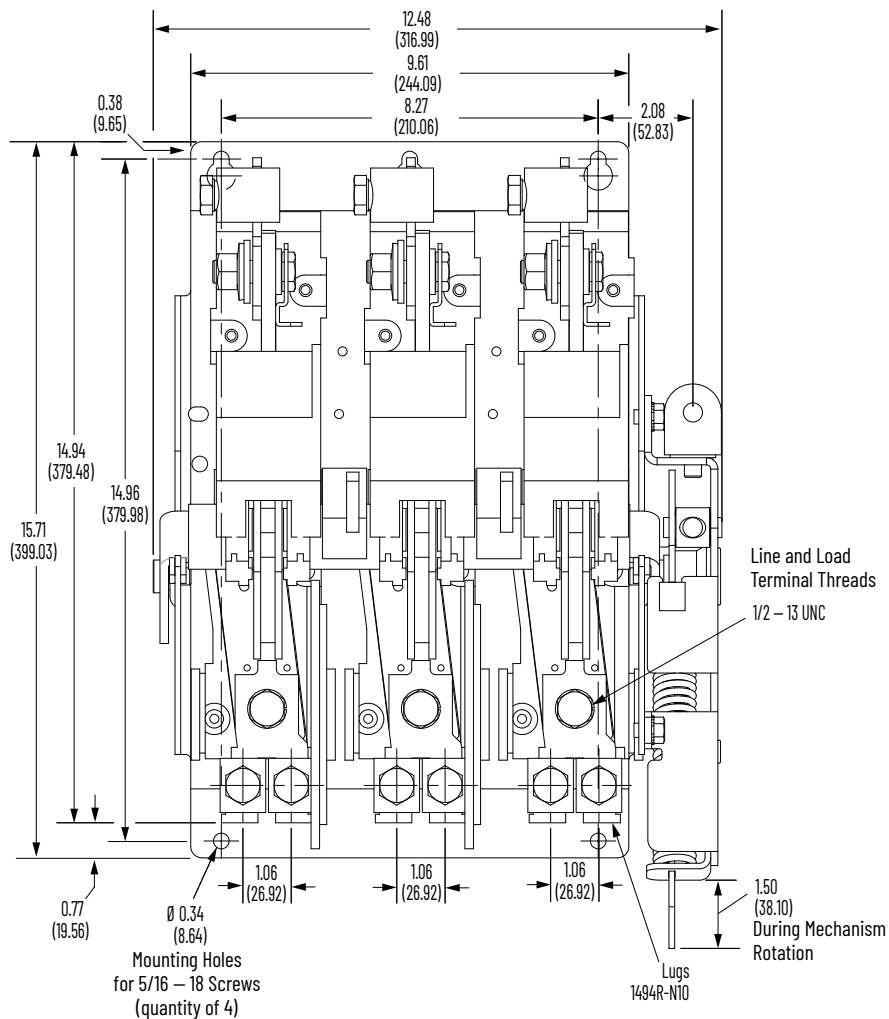
Universal Disconnect Switch, 400 A



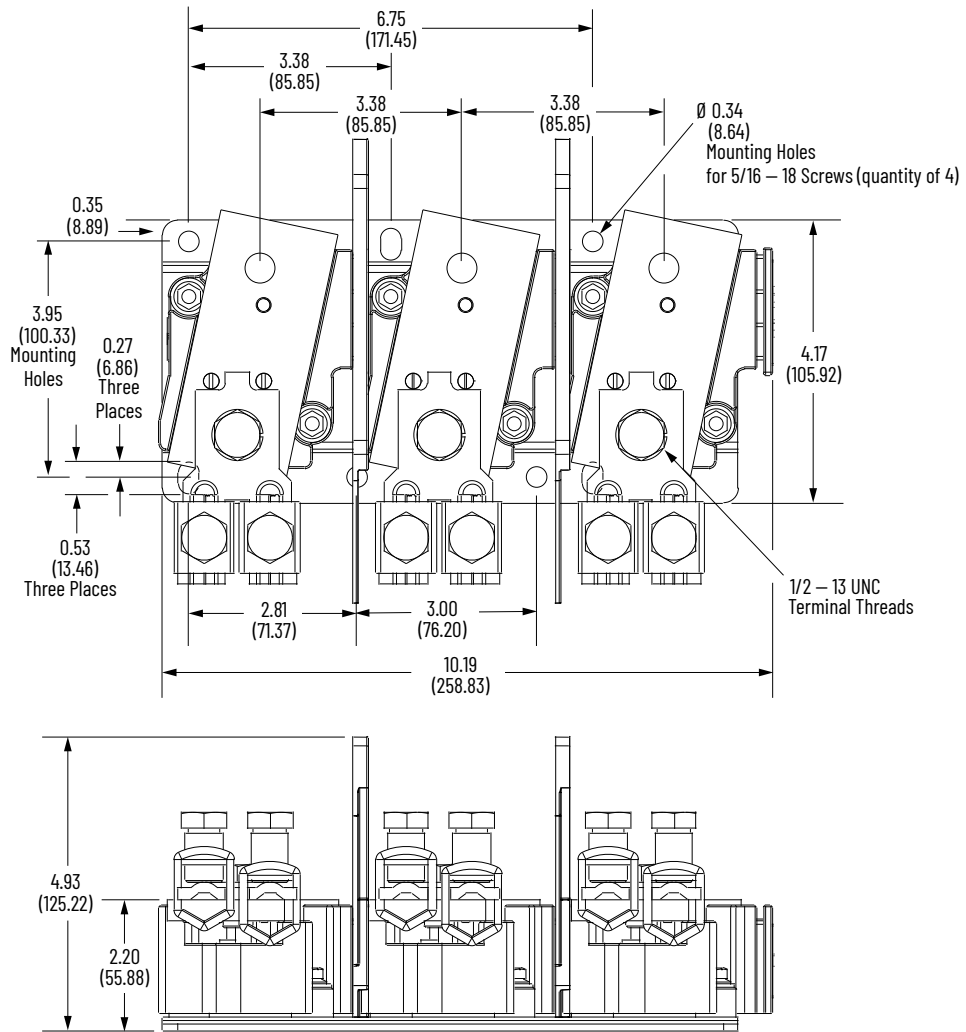
Universal Fuse Block, 400 A



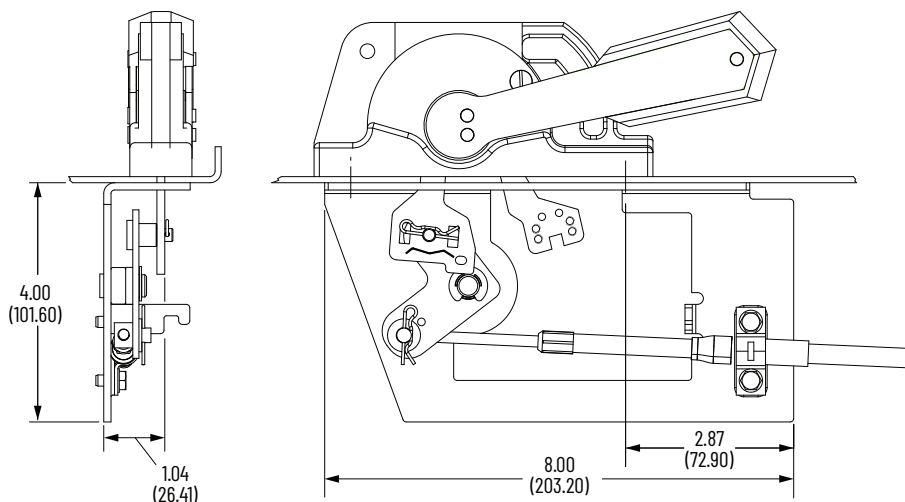
Universal Disconnect Switch, 600 A



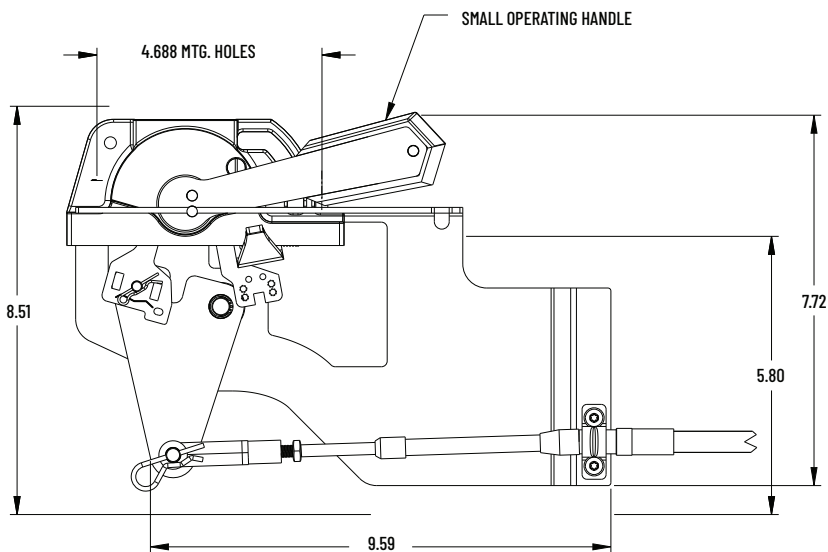
Universal Fuse Block, 600 A



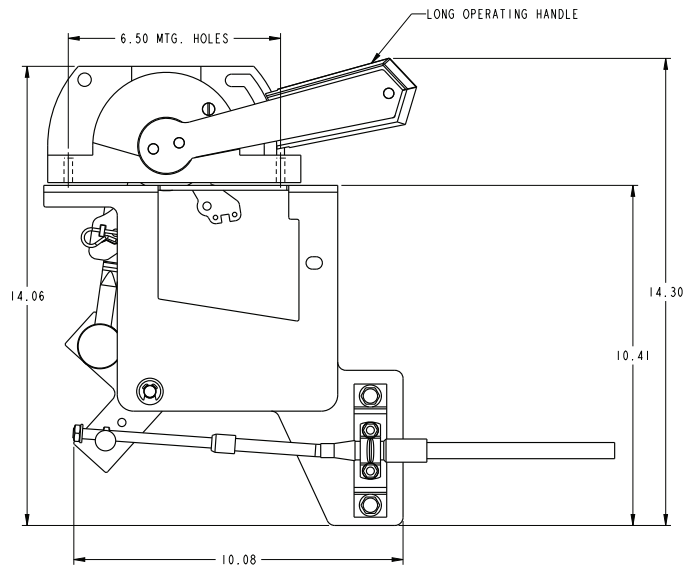
Universal Handle with Support Bracket, 30...100 A Cable Operator



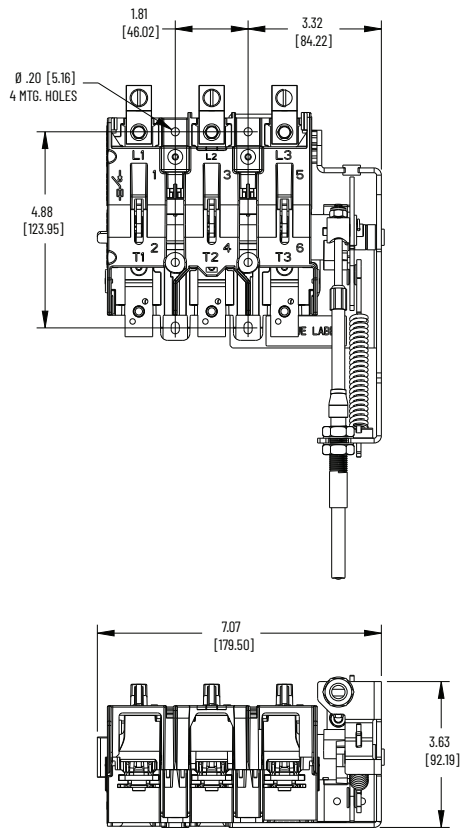
Universal Handle with Support Bracket, 200 A Cable Operator



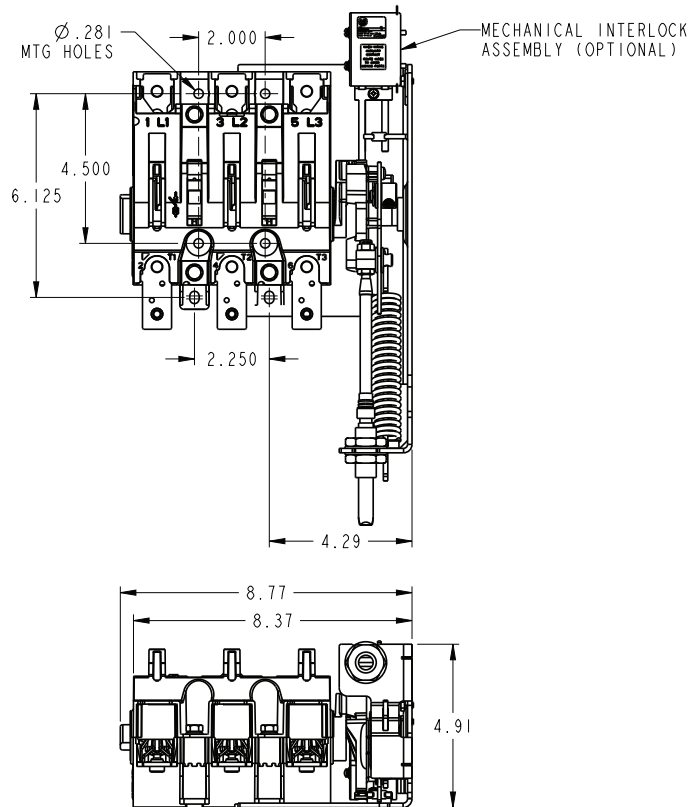
Universal Handle with Support Bracket, 600 A Cable Operator



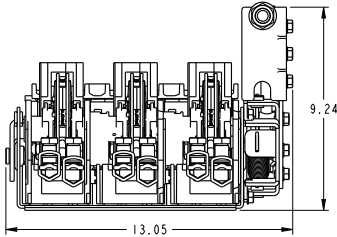
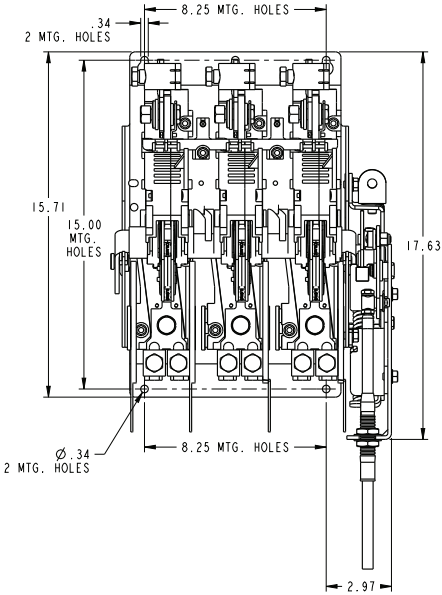
Switch with Cable Bracket 30...100 A



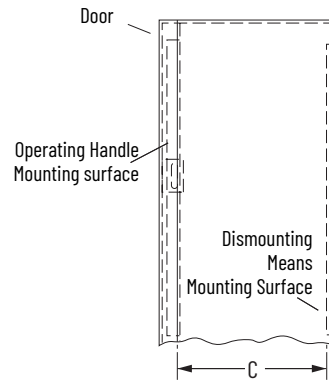
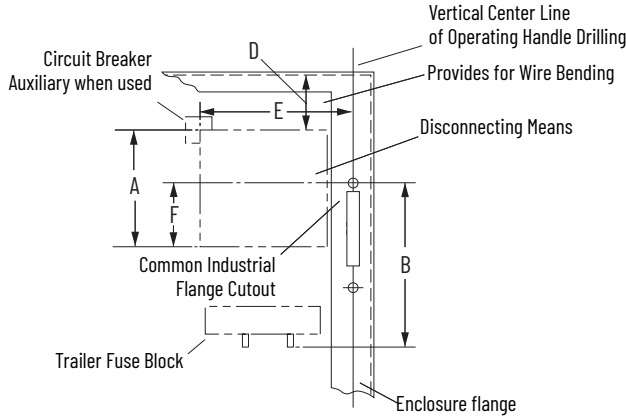
Switch with Cable Bracket 200 A



Switch with Cable Bracket 600 A

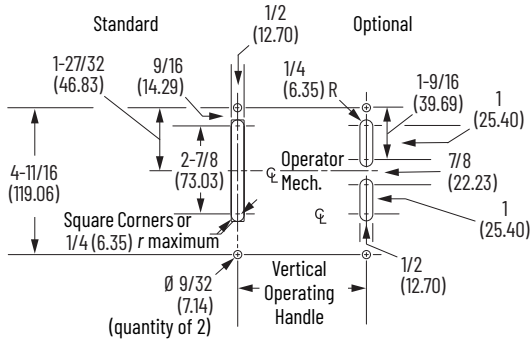


1494U Flange Cutout

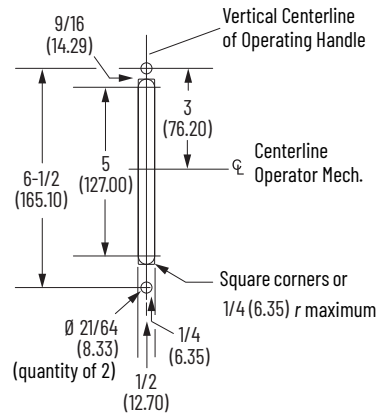


**Flange Cutout
30/60/100/200 A**

Flange Drilling



**Flange Cutout
400/600 A**



NEMA Size	(A)	(B) ⁽¹⁾		(C)		(D)	(E)	(F)	Switch Mounting Hole Diameter
		Max	Min	Max	Max				
30	6-19/64 (159.94)	7-31/32 (202.41)	8-1/2 (215.90)	21-5/8 (549.28)	2-3/4 (69.85)	7-9/16 (192.09)	3-7/8 (98.43)	7/32 (5.56)	
60		8-15/32 (215.11)							
100		9-1/8 (231.78)							
200	8-5/64 (205.18)	15-9/64 (384.57)	9-1/2 (241.30)	21-5/8 (549.28)	6-35/64 (166.30)	8-25/32 (223.04)	4-21/32 (118.27)	19/64 (7.54)	
400	11 (279.4)	18-7/32 (462.76)	10-1/2 (266.70)	21-5/8 (549.28)	8 (203.2)	10 (254.00)	5-1/2 (139.70)	11/32 (8.73)	
600	15-23/32 (399.26)	17-19/32 (446.88) ⁽²⁾			12 (304.8)	11-27/32 (300.83)	8-51/64 (223.44)		

(1) This approximation varies by fuse class and size.
 (2) Approximate dimension with Class J fuses.

Bulletin 1494F Fixed-Depth Flange-Mounted Disconnect Switches

Overview



Cat. No. 1494F-N30
Disconnect Switch with Cat. No.
1494F-F30 Fuse Block Adapter
Plate and Operating Mechanism

Bulletin 1494F – Fixed-Depth Flange-Mounted Disconnect Switches

Industrial rated disconnects. Pre-assembled switch, mechanism, and handle on a mounting bracket for use in flange constructed enclosures. **Such as the NVent Bulletin A22.**

- 3-pole, 600V AC rating
- 30, 60, 100 ratings
- Same switch used for fusible and non-fusible applications
- Few catalog numbers to choose from, that accommodate a wide range of fuse clip types (Class H, J, and R)
- Accessories field installed
- NFPA 79 Compliant –

Disconnect switch linked to the handle at all times

- Visible blade construction for safety
- Right-hand flange operation
- Standard painted metal handle for Type 1, 3R, and 12, environments
- Lockable handle

Product Selection

Choose a disconnect switch catalog number plus any additional accessories from the fuse clip kit and fuse block adapter plate kit tables.




Disconnect Switches for Type 1, 3R, and 12 Enclosures

Continuous Current Rating [A] 600V AC 250V DC	UL and CSA Applications Maximum Hp				AC 1-Phase		DC ⁽¹⁾	IEC Applications Maximum kW (AC23)			Fusible or Non-Fusible Switch Cat. No.
	3-Phase, 60 Hz				115V	230V		3-Phase, 50 Hz			
	200...208V	230V	460V	575V			220...240V	380...440V	500...600V		
30	7.5	7.5	15	20	2	3	5	5.5	11	15	1494F-N30
60	15	15	30	50	3	10	10	11	22	30	1494F-N60
100	25	30	60	75	...	15	20	22	45	55	1494F-N100



(1) Ratings based on utilizing two poles in series to break one line of the DC supply voltage and the remaining pole breaking the second DC supply line.

Select both a fuse clip kit and a fuse block adapter plate.

Fuse Clip Kit and Fuse Block Adapter Plate Kit

Switch Rating [A]	Fuse Clip Rating [A]	 					
		Fuse Clip Kit					
		Class R		Class J	Class H		
		250V	600V	250/600V	250V	600V	
		Cat. No.	Cat. No.	Cat. No.	Cat. No.	Cat. No.	Fuse Block Adapter Plate Kit Cat. No.
30	30	1401-N50	1401-N51	1401-N42	1401-N41	1401-N42	1494F-F30
60	30	1401-N50	1401-N51	1401-N42	1401-N41	1401-N42	1494F-F60
	60	1401-N51	1401-N52	1401-N43	1401-N42	1401-N43	
100	60	1401-N51	1401-N52	1401-N43	1401-N42	1401-N43	1494F-F100
	100	1401-N53	1401-N53	1401-N44	1401-N44	1401-N44	

Terminal Lug Connectors

Product	Disconnect Switch Size [A]	Conductor Type	Number of Conductors	Wire Size [AWG]	Cat. No.	
	30...60	Cu wire	1	14...4	1494U-LC36	
			2	14...8		
			4	16		
	30...60	Cu wire	1	14...2	1494U-LA36	
			Al wire	1		12...2
			Cu wire	2 ⁽¹⁾		14...10
Al wire			2 ⁽¹⁾	12...10		
100	Al wire	1	8...1/0	1494U-LC100		
	100	Cu wire	1	14...1/0	1494U-LA100	
		Al wire	1	12...10		
		Cu wire	2 ⁽¹⁾	12...4		
		Al wire	2 ⁽¹⁾	12...4		

(1) Wire pairs must be consistent in type, stand, and wire size.

Specifications

Disconnect Switch Electrical Ratings

Switch Size	30 A		60 A		100 A	
Rated insulation voltage Ui (UL) IEC		(600) 660V				
Ratings UL/CSA/NEMA	Hp	230V/60 Hz	7.5	15	30	
		460V/60 Hz	15	30	60	
		575V/60 Hz	20	50	75	
		250V DC	5	10	20	
	Continuous Current	600V AC 250V DC	30	60	100	
Ratings IEC Applications	Maximum kW (AC23)	220V/50 Hz	5.5	11	22	
		440V/50 Hz	11	22	45	
		550V/50 Hz	15	37	55	

Auxiliary Contact Electrical Ratings^{(1) (2)}

Standard Contact 1N.O. or 1 N.C.	NEMA/EEMAC	A600, Q600
	IEC	AC 15, DC 13 to IEC/EN60947-5-1 and UL 508, 17V, 5 mA minimum
Low-level Contact 1 N.O. or 1 N.C.	NEMA/EEMAC	C300, R150
	IEC	AC 15, DC 13 to IEC/EN60947-5-1 and UL 508, 5V, 1 mA minimum

Electrical Interlock Ratings

Standard Contact 2 N.O.	NEMA/EEMAC	10 A: 250V AC, 0.3 A: 250V DC
-------------------------	------------	-------------------------------

Mechanical

Degree of protection	Operating handles	Painted Type 1, 3R, 4, 12
Mechanical life (Typical)		20 000 operations (30...100 A)
Switching frequency (operations/hr)		30, 60 and 100, sizes – 300 max. (30...100 A)

Environmental

Temperature	Operating	-35...+40 °C (-31...+104 °F)
	Storage	-40...+65 °C (-40...+149 °F)
Altitude (per IEC 947-5)		2000 m per IEC 337-1
Relative Humidity (per IEC 947-3)		90% at 20 °C (68 °F) and 50% at 40 °C (104 °F)

Design Specification/Test Requirements

Dielectric strength	2200V for 1 minute
Electrical life	6000 operations at rated current
Short Circuit Withstand Capability	10 000 A: unfused 10 000 A: with Class H fuses 200 000 A: with Class J or Class R fuses

Construction

Switch body material	Glass filled thermoplastic
Contact material	Copper, tin-plated
Mounting Bus thread size	30 A...100 A #10 - 24 UNC

All wire rated 75 °C (167 °F) or higher must be sized per the local Electric Code for 75 °C (167 °F) wire.

Conductor Size (mm ²)	30 A 60 A 100 A	Refer to Terminal Lug Connectors on page 26	
Recommended Torque	30 A 60 A 100 A	Conductor into Lug 20 lb•in 45 lb•in 150 lb•in	Lug to Terminal 20 lb•in 50 lb•in 90 lb•in
Switches, Mechanisms, and Accessory Kits	Zinc-plated steel, RoHS Compliant finish		

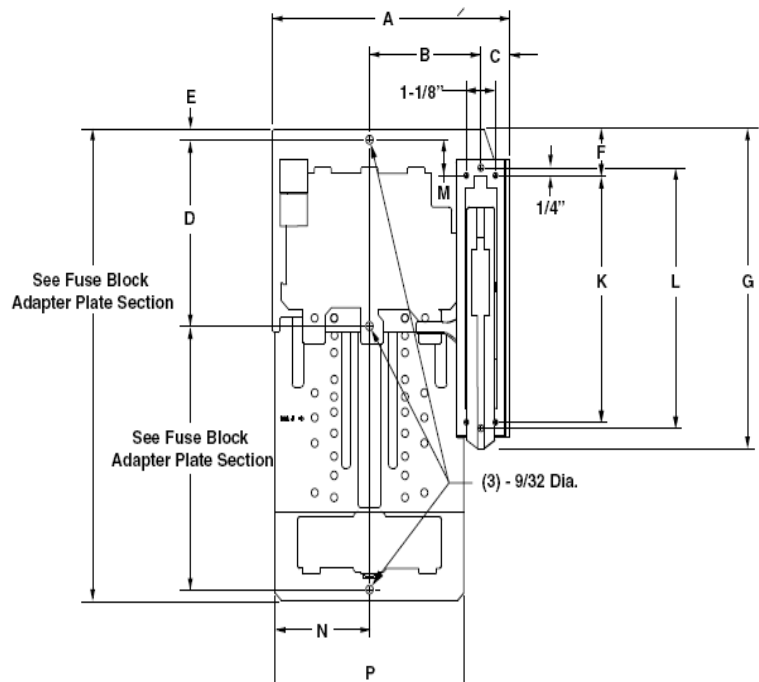
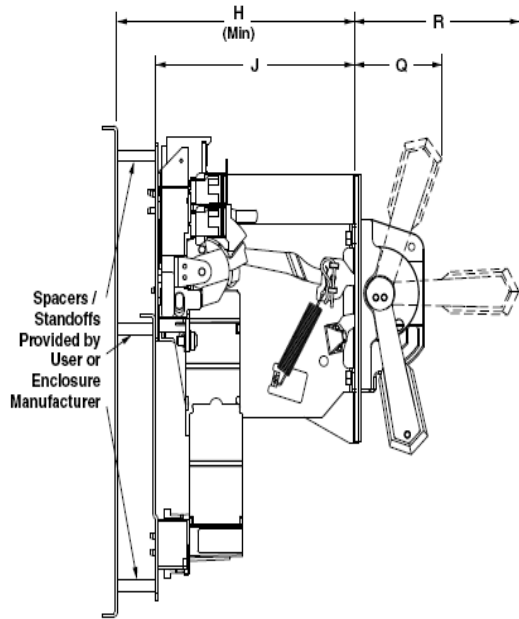
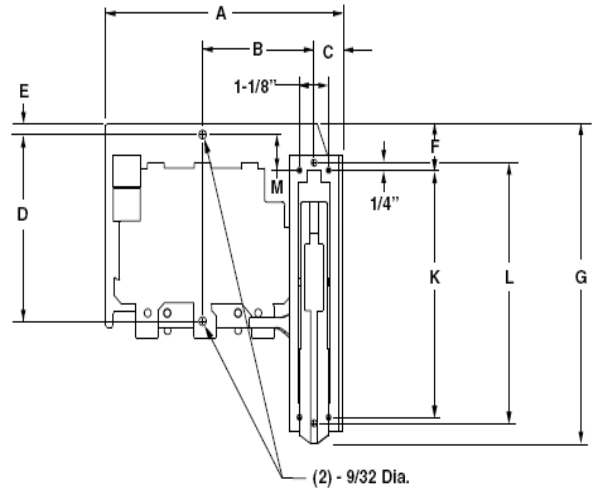
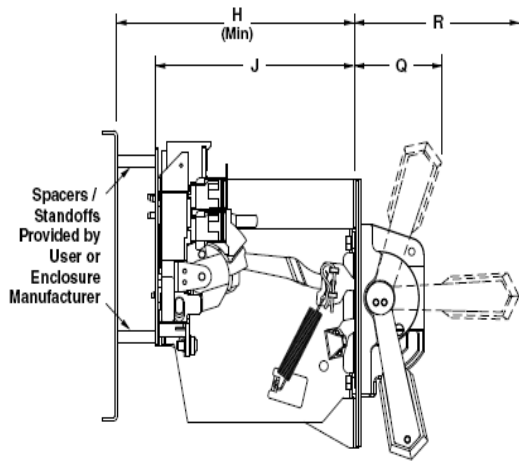
(1) The rating for 1 N.O., 200 A is B600.

(2) For contact ratings refer to [General Data on page 70](#).

Approximate Dimensions

Approximate dimensions are shown in inches (millimeters). Dimensions are not intended to be used for manufacturing purposes.

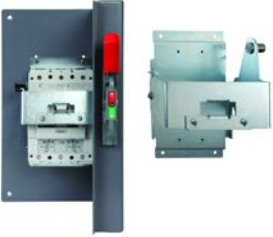
Non-Fusible Disconnect Switch



Switch Size [A]	A	B	C	D	E	F	G	H	J	K	L	M	N	P	Q	R
30	9-3/16 (233.4)	4-5/16 (109.5)	1-1/8 (28.6)	6 (152.4)	3/8 (9.5)	1-9/16 (39.7)	10-1/2 (266.7)	8-1/2 (215.9)	6-7/8 (174.6)	8 (203.2)	8-1/2 (215.9)	15/16 (23.8)	3-21/32 (92.9)	7-5/16 (185.7)	3 (76.2)	5-7/16 (138.1)
60	9-3/16 (233.4)	4-5/16 (109.5)	1-1/8 (28.6)	6 (152.4)	3/8 (9.5)	1-9/16 (39.7)	10-1/2 (266.7)	8-1/2 (215.9)	6-7/8 (174.6)	8 (203.2)	8-1/2 (215.9)	15/16 (23.8)	3-21/32 (92.9)	7-5/16 (185.7)	3 (76.2)	5-7/16 (138.1)
100	9-3/16 (233.4)	4-5/16 (109.5)	1-1/8 (28.6)	6 (152.4)	3/8 (9.5)	1-9/16 (39.7)	10-1/2 (266.7)	9-3/4 (247.7)	8-1/8 (206.4)	8 (203.2)	8-1/2 (215.9)	15/16 (23.8)	3-21/32 (92.9)	7-5/16 (185.7)	3 (76.2)	5-7/16 (138.1)

Bulletin 1494F Variable-Depth Flange-Mounted, Components 140G, 140MG Circuit Breakers

Table 1 - Variable Depth Flange-mounted Circuit Breaker Operating Mechanism

	Description	Compatible 3-Pole Circuit Breaker ⁽¹⁾		Cat. No.
		Frame Size [A]	Frame Size	
	<ul style="list-style-type: none"> Allows actuation and status indication of breaker states: On, Off, Trip, and Reset Standards Compliance: UL 489, CSA C22.2 No. 5, CSA C22.2 No. 94.2 Breaker must be installed directly behind flange handle cutout <ul style="list-style-type: none"> Operator is installed to surround breaker Complete mechanism consists of <ul style="list-style-type: none"> Operating mechanism (Table 1) and handle (Table 3) Connecting Rod (Table 2) Insulation Kit (if required) (Table 5) Auxiliary contacts (if required) (Table 4) 	125, 225, 250	G, H, I, J	1494V-M70
		400	K	1494V-M71
		800, 1200	M, N	1494V-M72

(1) 140G, 140MG Circuit Breaker must be purchased separately.



The mechanism that is listed in [Table 1](#) must be combined with a connecting rod, operating handle, and a circuit breaker (supplied by customer) to obtain a functional device. G-, H-, I-, and J-Frame devices require an insulation kit ([Table 5](#)).

Table 2 - Connecting Rods for Circuit Breaker Operating Mechanism



	Circuit Breaker Frame Size [A]	Enclosure Working Depth [in. (mm)]		Cat. No.
		Minimum	Maximum	
	125, 150, 225, 250	6-3/4 (172)	21-5/8 (549)	1494V-RA4
	400	8-1/2 (216)	21-5/8 (549)	1494V-RA4
	800, 1200	9-1/2 (241)	23 (584)	1494V-RB4

Table 3 - Operating Handle for Circuit Breaker Operating Mechanism

	Handle Type	Description	Circuit Breaker Frame Size [A]	Operating Handle Cat. No.
	Type 1, 3R, 4, 4X, 12	Nonmetallic	125, 150, 250, 400	1494U-HP1
	Type 1, 3R, 4, 12	Painted Metal	125, 150, 250, 400	1494U-HM1
	Type 4, 4X	Stainless ⁽¹⁾	125, 150, 250, 400	1494U-HS1
	Type 1, 3R, 4, 12	Painted Metal	800, 1200	1494F-M2
	Type 4, 4X	Stainless ⁽¹⁾	800, 1200	1494F-S2

(1) Stainless handles have a chrome-plated steel handle base.

Table 4 - Auxiliary Contacts for Circuit Breaker Operating Mechanism



	Description	For Use With	Contact Type	Cat. No.
	Auxiliary Contact Kit for Circuit Breakers <ul style="list-style-type: none"> includes contacts and adapter 	125...1200 A Allen-Bradley Bul. 140G Circuit Breakers	1 N.O.	1495-N85
			1 N.C.	1495-N86

Table 5 - Insulation Kit for Circuit Breaker Operating Mechanism

	Description	For Use With	Cat No.
	Insulation Kit	140G-G, 140MG-G 140G-H, 140MG-H 140G-I, 140MG-I 140G-J, 140MG-J	1495-N87

Notes:

Overview

The Allen-Bradley® Enclosed 1494G Heavy Industrial Safety Disconnect Switches are designed for industrial, heavy commercial applications and for hazardous locations. These safety disconnect switches feature a lockable handle with a disconnect switch that is linked to the handle at all times. These safety disconnect switches are available with switch ratings 30...600 A. Switches are offered in fusible (accommodates Class J, R, and H fuses) and non-fusible configurations.

Other key features:

- 240V available in 2-pole, single-phase, and 3-pole, 3-phase versions.
- 600V (fusible and non-fusible) switches available in 3-pole, 3-phase versions
 - 6-pole, 3-phase only available for 600V non-fusible
- 30...100 A switch ratings in extra-capacity enclosures and 6-pole, 3-phase applications
- Standard non-metallic handle (30...200 A), metal, or stainless-steel handle optional
- Visible blade construction for safety
- Type 3R/4/12 (painted metal), Type 4/4X (stainless-steel) enclosures available
 - Non-metallic Type 4/4X enclosures offered for 600V fusible only
 - Large and Extra large enclosures available to provide extra space for user supplied components
- Options – factory-installed
- Accessories – field installed



Extra space for user supplied components is available for Large and extra large enclosures

Catalog Number Explanation

Examples that are given in this section are for reference purposes. This basic explanation is not to be used for product selection; not all combinations produce a valid catalog number.

The examples that are listed represent factory-assembled kits.

1494G
 B
 F
 3
 J
 6
 98
 203 W
 414

a
b
c
d
e
f
g

a	
Bulletin Number	
Code	Description
1494G	Enclosed disconnect safety switch in standard-size enclosure (30...600 A)
1494GY	Enclosed disconnect safety switch in large-size enclosure (30...200 A)
1494GX	Enclosed disconnect safety switch in extra large-size enclosure (30...100 A)

b	
Switch Ratings [A]	
Code	Description
B	30
C	60
D	100
E	200
F	400
G	600

c	
Enclosure Type	
Code	Description
F	Type 3R/4/12: Rainproof, water-resistant, dust-tight, painted metal enclosure with screw fasteners and non-metallic handle
C	Type 4/4X: Water-resistant, corrosion-resistant, 304 stainless-steel enclosure with screw fasteners and non-metallic handle
K	Type 12: Hazardous location (Class II, Division 2, Group F+G and Class III Division 1 and 2) painted metal enclosure with screw fasteners and non-metallic handle

d	
Poles	
Code	Description
2	2-pole, 1-phase
3	3-pole, 3-phase

e	
Fusing	
Code	Description
N	Non-fusible
H	Class H fuse clips
J	Class J fuse clips
R	Class R fuse clips

f	
Fuse Voltage	
Code	Description
Blank	Non-fusible
2	240V AC/250V DC
6	600V AC/600V DC

g	
Options (Factory-installed)	
Code	Description
1S	Momentary push button ⁽¹⁾ (flange-mounted)
3	3-position selector switch ⁽¹⁾
3E	2-position selector switch ⁽¹⁾
3EI	2-position selector switch (Illuminated) ⁽¹⁾
3S	3-position selector switch (spring return) ⁽¹⁾
4	Pilot light ⁽¹⁾⁽²⁾
5	Push-to-test pilot light ⁽¹⁾⁽²⁾
98	N.O. auxiliary – disconnect
99	N.C. auxiliary – disconnect
203 W	Viewing window
412	Painted metal handle
413	Stainless-steel handle
414	Protective fuse cover
420	1 N.O. and 1 N.C., interlock (400 A, 600 A)
421	2 N.O. and 2 N.C., interlocks (200 A, 400 A, 600 A) ⁽³⁾
422	Line side terminal cover (400 A, 600 A)
423	2 N.O. electrical interlock for disconnect switch (30 A, 60 A, 100 A)
988	(2) N.O. auxiliary – disconnect
989	(1) N.O. - (1) N.C. auxiliary – disconnect
999	(2) N.C. auxiliary – disconnect

(1) Specify lens color by adding one of the following letters: **R** = Red, **A** = Amber, **B** = Blue, **G** = Green.
 (2) 3-pole enclosed switches can accommodate one pilot device. Maximum of two auxiliary switches.
 (3) This option is not available when a 30 A, 60 A, or 100 A switch rating is selected.

Industrial Safety Disconnect Switches – Non-fusible Type

Standard-Size Enclosure (3-pole, 3-phase)



Continuous Current Rating [A] 600V AC/250V DC	Horsepower					Cat. No.	
	480V AC		600V AC		250V DC	3-pole, 3-phase	
	Standard	Max	Standard	Max		Type 3R/4/12 ⁽¹⁾ Painted Metal	Type 4/4X 304 Stainless-steel
30	5	20	7.5	30	5	1494G-BF3N	1494G-BC3N
60	15	50	15	60	10	1494G-CF3N	1494G-CC3N
100	25	60	30	75	20	1494G-DF3N	1494G-DC3N
200	50	125	60	150	40	1494G-EF3N	1494G-EC3N
400	100	250	125	350	50	1494G-FF3N	1494G-FC3N
600	150	400	300	500	50	1494G-GF3N	1494G-GC3N

Large Enclosure (3-pole, 3-phase)

Continuous Current Rating [A] 600V AC/250V DC	Horsepower					Cat. No.	
	480V AC		600V AC		250V DC	Type 3R/4/12 ⁽¹⁾ Painted Metal	Type 4/4X 304 Stainless-steel
	Standard	Max	Standard	Max		3-pole, 3-phase	
30	5	20	7.5	30	5	1494GY-BF3N	1494GY-BC3N
60	15	50	15	60	10	1494GY-CF3N	1494GY-CC3N
100	25	60	30	75	20	1494GY-DF3N	–
200	50	125	60	150	40	1494GY-EF3N	–

Extra Large-Size Enclosure (3-pole, 3-phase)

Continuous Current Rating [A] 600V AC/250V DC	Horsepower					Cat. No.	
	480V AC		600V AC		250V DC	Type 3R/4/12 ⁽¹⁾ Painted Metal	Type 4/4X 304 Stainless-steel
	Standard	Max	Standard	Max		3-pole, 3-phase	
30	5	20	7.5	30	5	1494GX-BF3N	1494GX-BC3N
60	15	50	15	60	10	1494GX-CF3N	1494GX-CC3N
100	25	60	30	75	20	1494GX-DF3N	1494GX-DC3N

(1) Type 12 hazardous location enclosure (Class II, Division 2, Group F+G and Class III, Divisions 1 and 2) can be supplied by replacing the **F** in the listed Cat. No. with the letter **K**.
Example: **Cat. No. 1494G-BK3N**

600V Fusible Switches with Class J Fuse Clips

Standard-Size Enclosure ⁽¹⁾ (3-pole, 3-phase)



Continuous Current Rating [A] 600V AC/250V DC	Horsepower					Cat. No.	
	480V AC		600V AC		250V DC	Type 3R/4/12 ⁽²⁾ Painted Metal	Type 4/4X 304 Stainless-steel
	Standard	Max	Standard	Max		3-pole, 3-phase	
30	5	15	7.5	20	5	1494G-BF3J6	1494G-BC3J6
60	15	30	15	50	10	1494G-CF3J6	1494G-CC3J6
100	25	60	30	75	20	1494G-DF3J6	1494G-DC3J6
200	50	125	60	150	40	1494G-EF3J6	1494G-EC3J6
400	100	250	125	350	50	1494G-FF3J6	1494G-FC3J6
600	150	400	200	500	50	1494G-GF3J6	1494G-GC3J6

- (1) Class R and H fuse clips can be supplied as a factory option in place of Class J clips. To order Class R fuse clips, replace **J** from the Cat. No. with **R**.
Example: **Cat. No. 1494G-BF3J6** becomes **Cat. No. 1494G-BF3R6**. To order Class H fuse clips, replace **J** from the Cat. No. with **H**.
Example: **Cat. No. 1494G-BF3J6** becomes **Cat. No. 1494G-BF3H6**.
- (2) Type 12 hazardous location enclosure (Class II, Division 2, Group F+G and Class III, Divisions 1 and 2) can be supplied by replacing the **F** in the listed Cat. No. with the letter **K**.
Example: **Cat. No. 1494G-BK3J6**

Large-Size Enclosure ⁽¹⁾ (3-pole, 3-phase)

Continuous Current Rating [A] 600V AC/250V DC	Horsepower					Cat. No.	
	480V AC		600V AC		250V DC	Type 3R/4/12 ⁽²⁾ Painted Metal	Type 4/4X 304 Stainless-steel
	Standard	Max	Standard	Max		3-pole, 3-phase	
30	5	15	7.5	20	5	1494GY-BF3J6	1494GY-BC3J6
60	15	30	15	50	10	1494GY-CF3J6	1494GY-CC3J6
100	25	60	30	75	20	1494GY-DF3J6	—
200	50	125	60	150	40	1494GY-EF3J6	—

- (1) Class R and H fuse clips can be supplied as a factory option in place of Class J clips. To order Class R fuse clips, replace **J** from the Cat. No. with **R**.
Example: **Cat. No. 1494GY-BF3J6** becomes **Cat. No. 1494GY-BF3R6**. To order Class H fuse clips, replace **J** from the Cat. No. with **H**.
Example: **Cat. No. 1494GY-BF3J6** becomes **1494GY-BF3H6**.
- (2) Type 12 hazardous location enclosure (Class II, Division 2, Group F+G and Class III, Divisions 1 and 2) can be supplied by replacing the **F** in the listed Cat. No. with the letter **K**.
Example: **Cat. No. 1494G-BK3J6**.

Extra Large-Size Enclosure ⁽¹⁾ (3-pole, 3-phase)

Continuous Current Rating [A] 600V AC/250V DC	Horsepower					Cat. No.	
	480V AC		600V AC		250V DC	Type 3R/4/12 ⁽²⁾ Painted Metal	Type 4/4X 304 Stainless-steel
	Standard	Max	Standard	Max		3-pole, 3-phase	
30	5	15	7.5	20	5	1494GX-BF3J6	1494GX-BC3J6
60	15	30	15	50	10	1494GX-CF3J6	1494GX-CC3J6
100	25	60	30	75	20	1494GX-DF3J6	1494GX-DC3J6

- (1) Class R and H fuse clips can be supplied as a factory option in place of Class J clips. To order Class R fuse clips, replace **J** from the Cat. No. with **R**.
Example: **Cat. No. 1494GX-BF3J6** becomes **1494GX-BF3R6**. To order Class H fuse clips, replace **J** from the Cat. No. with **H**.
Example: **Cat. No. 1494GX-BF3J6** becomes **1494GX-BF3H6**.
- (2) Type 12 hazardous location enclosure (Class II, Division 2, Group F+G and Class III, Divisions 1 and 2) can be supplied by replacing the **F** in the listed Cat. No. with the letter **K**.
Example: **Cat. No. 1494G-BK3J6**

Product Selection

Industrial Safety Disconnect Switches – Fusible non-fusible Type

240V Fusible Switches with Class H Fuse Clips



Standard-Size Enclosure⁽¹⁾ (240V, 2-pole, 1-phase/3-pole, 3-phase)

Continuous Current Rating [A] 600V AC/250V DC	Horsepower					Cat. No.			
	240V AC 1-phase		240V AC 3-phase		250V DC	Type 3R/4/12 ⁽²⁾ Painted Metal		Type 4/4X 304 Stainless-steel	
	Standard	Max	Standard	Max		2-pole, 1-phase	3-pole, 3-phase	2-pole, 1-phase	3-pole, 3-phase
30	1.5	3	3	7.5	5	1494G-BF2H2	1494G-BF3H2	1494G-BC2H2	1494G-BC3H2
60	3	10	7.5	15	10	1494G-CF2H2	1494G-CF3H2	1494G-CC2H2	1494G-CC3H2
100	7.5	15	15	30	20	1494G-DF2H2	1494G-DF3H2	1494G-DC2H2	1494G-DC3H2
200	15	15	25	60	40	1494G-EF2H2	1494G-EF3H2	1494G-EC2H2	1494G-EC3H2
400	–	–	50	125	50	–	1494G-FF3H2	–	1494G-FC3H2
600	–	–	75	200	60	–	1494G-GF3H2	–	1494G-GC3H2

Large-Size Enclosure⁽¹⁾ (240V, 2-pole, 1-phase/3-pole, 3-phase)

Continuous Current Rating [A] 600V AC/250V DC	Horsepower					Cat. No.			
	240V AC 1-phase		240V AC 3-phase		250V DC	Type 3R/4/12 ⁽²⁾ Painted Metal		Type 4/4X 304 Stainless-steel	
	Standard	Max	Standard	Max		2-pole, 1-phase	3-pole, 3-phase	2-pole, 1-phase	3-pole, 3-phase
30	1.5	3	3	7.5	5	1494GY-BF2H2	1494GY-BF3H2	1494GY-BC2H2	1494GY-BC3H2
60	3	10	7.5	15	10	1494GY-CF2H2	1494GY-CF3H2	1494GY-CC2H2	1494GY-CC3H2
100	7.5	15	15	30	20	1494GY-DF2H2	1494GY-DF3H2	–	–
200	15	15	25	60	40	1494GY-EF2H2	1494GY-EF3H2	–	–

Extra Large-Size Enclosure⁽¹⁾ (240V, 2-pole, 1-phase/3-pole, 3-phase)

Continuous Current Rating [A] 600V AC/250V DC	Horsepower					Cat. No.			
	240V AC 1-phase		240V AC 3-phase		250V DC	Type 3R/4/12 ⁽²⁾ Painted Metal		Type 4/4X 304 Stainless-steel	
	Standard	Max	Standard	Max		2-pole, 1-phase	3-pole, 3-phase	2-pole, 1-phase	3-pole, 3-phase
30	1.5	3	3	7.5	5	1494GX-BF2H2	1494GX-BF3H2	1494GX-BC2H2	1494GX-BC3H2
60	3	10	7.5	15	10	1494GX-CF2H2	1494GX-CF3H2	1494GX-CC2H2	1494GX-CC3H2
100	7.5	15	15	30	20	1494GX-DF2H2	1494GX-DF3H2	1494GX-DC2H2	1494GX-DC3H2

(1) Class R fuse clips can be supplied as a factory option in place of Class H clips. To order Class R fuse clips, replace H from the Cat. No. with R.

Example: Cat. No. **1494G-BF2H2** becomes **1494G-BF2R2**.

(2) Type 12 hazardous location enclosure (Class II, Division 2, Group F+G and Class III, Divisions 1 and 2) can be supplied by replacing the F in the listed Cat. No. with the letter K.

Example: Cat. No. **1494G-BK2H2**

Modifications

To configure your product, add the Suffix Code to your Catalog Number to include the modifications listed.

Bulletin 1494G/GX/GY Modifications

Description	Enclosure Type	Suffix Code	Switch Rating [A]					
			30	60	100	200	400	600
Momentary Push Button (1 N.O.) (located on enclosure flange)	3R/4/12 painted metal, 4/4X stainless-steel	-1S ⁽¹⁾	Available Option					
HAND-OFF-AUTO Selector Switch		-3 ⁽¹⁾						
3-position Selector Switch		-3S ⁽¹⁾						
2-position Selector Switch		-3E ⁽¹⁾						
2-position Illuminated Selector Switch		-3EI ⁽¹⁾						
Pilot Light		-4 ⁽¹⁾⁽²⁾						
Push-to-test Pilot Light		5 ⁽¹⁾⁽²⁾						
Auxiliary Contact (1 N.O.)	3R/4/12 painted metal, 4/4X stainless-steel, 4/4X non-metallic	-98 ⁽³⁾	Available Option					
Auxiliary Contact (1 N.C.)		-99 ⁽³⁾						
Enclosure Door Viewing Window	3R/4/12 painted metal, 4/4X stainless-steel	-203W	Available Option					
Painted Metal Handle	3R/4/12 painted metal	-412 ⁽⁴⁾	Available Option				Standard	
Stainless-steel Handle	4/4X stainless-steel	-413 ⁽⁴⁾	Available Option					
Protective Fuse Cover with Door (transparent)	3R/4/12 painted metal, 4/4X stainless-steel	-414	Available Option					
Electrical Interlock - Early Break (1 N.O. and 1 N.C.)		-420						
Electrical Interlock - Early Break (2 N.O. and 2 N.C.)		-421						
Protective Line Side Cover (transparent)		-422						

(1) 3 pole enclosed switches can accommodate (1) pilot device.

(2) Specify lens color by adding one of the following letters: **R** = Red, **G** = Green, **A** = Amber, **B** = Blue

(3) Maximum of (2) auxiliary contacts.

(4) Non-metallic handle is standard (30...200 A). For painted metal handle, select suffix code **-412**. For stainless-steel handle, select suffix code **-413**.

Accessories

Auxiliary Contacts and Electrical Interlocks

	Description	Contacts	Disconnect Switch Size [A]	Cat. No.		
Auxiliary Contact		• Indicates ON/OFF status of Bulletin 1494U	1 N.O.	30...200	1494U-NOLV	
		• Duplicates position of switch blades	1 N.C.	30...200	1494U-NCLV	
	• QuadConnect™ contact	• 2.5 A	• C300, R150	1 N.O.	30...200	1494U-NO
				1 N.C.	30...200	1494U-NC
				1 N.O.	400	1495-N8
				1 N.O.	400	1495-N8X
				1 N.C.	400	1495-N9X
				1 N.C.	400	1495-N9
				1 N.O.	600	595-A
				1 N.C.	600	595-B
Contact Adapter Kit (1)		• One adapter kit required per auxiliary contact	–	600	595-N1	
Electrical Interlock (2)		• Removes system voltage from electronics to help prevent damage by transient voltage that is caused by opening the switch	2 N.O.	30...100	1494U-AE	
		• Early break	1 N.O. and 1 N.C.	400	1495-N43	
		• 10 A				
		• 250V AC/DC				
		• Removes system voltage from electronics to help prevent damage by transient voltage that is caused by opening the switch				1 N.O. and 1 N.C.
		• Early break	2 N.O. and 2 N.C.	400	1495-N44	
• Right-hand mechanism	2 N.O. and 2 N.C.	600	1495-N35			
• Removes system voltage from electronics to help prevent damage by transient voltage that is caused by opening the switch	2 N.O. and 2 N.C.	200	1494U-AE200			
• Early break						
• Standard contact						
Control Voltage Taps		• 2 per package	–	30...100	1494U-ALT31	
				200	1494U-ALT200	
				400	1494R-N19	
				600	1494U-ALT600	
Defeater Bracket Extension Kit		• For use with operating handles that do not align properly with the door catch or door hardware on enclosures with a rolled lip flange construction.	–	30...200	1494V-H12	
Channel Support Kit		• For use to prevent flexing of the operating handle mounting surface. This is especially useful when the operating handle is mounted on a channel in a multi-door enclosure.	–	30...200	1494V-H15	

(1) One adapter kit is required per auxiliary contact.

(2) Not configurable; must be purchased individually.

(3) An additional adapter kit, Cat. No. 1495-N36, is required for installation.

Lug Connectors (3 per package) – Provided as standard on all enclosed 1494G switches



Disconnect Size [A]	Wire Size	Cat. No. ⁽¹⁾
30...60	14...2 Cu	1494U-LA36
	12...2 Al	
	(2) 14...10 Cu ⁽²⁾	
	(2) 12...10 Al ⁽²⁾	
100	14...1/0 Cu	1494U-LA100
	12...4 Al	
	(2) 12...4 Cu-Al	
200	6...250 MCM Cu-Al	1494U-LA200
400	(2) 6...300 MCM Cu-Al	1494U-LA400
600	(2) 1/0...500 MCM Cu-Al	1494U-LA600
	(2) 1/0...350 MCM Cu	1494R-N11 ⁽³⁾

- (1) Package quantity 3.
- (2) Wire pairs must be consistent type, strand and wire size.
- (3) Supplied load side on the H/R fuse block.

Ground Connectors and Ground Lug Kits – Provided as standard on all enclosed 1494G switches



Description	Disconnect Size [A]	Wire Size	For Use With	Cat. No.
Ground Connectors	–		1494G Disconnect Switches	599-GR1
Ground Lug Kits	30...60 A	#14...4 AWG Wire	1494G Disconnect Switches	599-GR1
	100...200 A	#8...1/0 AWG Wire		599-GR2
	400 A	#6...250 MCM		X-320451
	600 A None-fused			X-320451
	600 A Fused			599-GR3
	600 A			599-GR3

Phase Barrier Kits – Provided as standard on all 1494G enclosed switches

Disconnect Size [A]	For Use With	Cat. No.
30, 60	1494G Disconnect Switches	1494F-PH2
100		1494F-PH3
200		1494F-PH4
400		1494F-PH5

Fuse Clips (6 per package) provided as standard on all 1494G enclosed switches



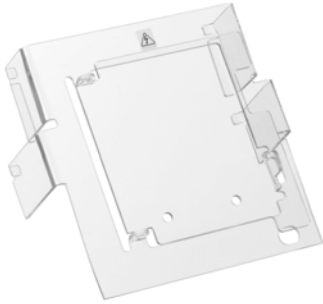
Fuse Class	Fuse Clip Rating		Cat. No. ⁽¹⁾
	250V	600V	
H	30	–	1494U-FC302J
	60	30	1494U-FC30J
	–	60	1494U-FC60J
	100	100	1494U-FC100J
	200	200	1401-N45
	400	400	1401-N46
	600	600	–
J	...	30	1494U-FC30J
		60	1494U-FC60J
		100	1494U-FC100J ⁽²⁾
		200	1401-N45 ⁽²⁾
		400	1401-N46 ⁽²⁾
R	600 ⁽³⁾	600	–
		30	1494U-FC302R
		60	1494U-FC30R
		–	1494U-FC60R
		100	1494U-FC100R
		200	1401-N54
		400	1401-N55

(1) Six clips are included per kit.

(2) Fuse clips are not required when bolted to a terminal.

(3) Included with Bulletin 1491 separately mounted fuse blocks.

Protective Fuse Covers



Switch Rating	Fuse Class	Fuse Clip Rating [A]		Cat. No.
		250V	600V	
30	Non-fusible	–	–	1495-N64
30	H,R	30	–	
60	H,R	60	–	
30	J	30	30	
60	J	60	60	
60	Non-fusible	–	–	
100	Non-fusible	–	–	1495-N65
30	H,R	–	30	
60	H,R	–	60	
100	J	100	100	1495-N66
100	H,R	100	100	
200	J	200	200	1495-N67 ⁽¹⁾
	Non-fusible	–	–	
	H, R, J	200	200	
400	J	400	400	1495-N62 ⁽²⁾
	Non-fusible	–	–	
	H, R, J	200	200	1495-N68 ⁽¹⁾
	Non-fusible	–	–	
600	H, R, J	400	400	1495-N63 ⁽²⁾
	Non-fusible	–	–	
	H, R, J	400	400	1495-N61 ⁽¹⁾
Non-fusible	–	–		
600	J	600	600	1495-N69 ⁽³⁾
	H, R, J	600	600	

- (1) Switch with right-hand mechanism.
- (2) Switch with left-hand mechanism.
- (3) Used with Bulletin 1491-N621 and 1491-R621 on Bulletin 1494V/1494C/1494G



Protective Line Covers – Provided as standard on all 1494G enclosed switches



Switch Rating	Cat. No.
200	1495-N81
400	1495-N82
600	1495-N83

Fuse Covers

The IP20 fuse cover protects against object larger than 0.47 in. (12 mm), helping prevent contact with a finger or object with a maximum of 3.15 in. (80 mm) in length.

Product	Disconnect Switch Size [A]	Fuse Class	Fuse Clip Rating [A]		Use with Fuse Clips	Cat. No.	
			250V	600V		Fuse Cover	IP20 and IP1XB Fuse Cover
	30, 60, 100	Non-fusible	–	–	–	1494U-PC1	1494U-PC2-IP20 ⁽¹⁾
	30	H, J	30	–	1494U-FC302J		
	30	R	30	–	1494U-FC302R		
	30	H, J	–	30	1494U-FC30J		
	60	H, J	–	60	1494U-FC60J	1494U-PC2	1494U-PC2-IP20 ⁽¹⁾
	100	H, J	–	100	1494U-FC100J		
	30	R	–	30	1494U-FC30R		
	60	R	–	60	1494U-FC60R		
100	R	–	100	1494U-FC100R			
	200	H, J	200	200	1401-N45	1494U-PC200	1494U-PC200-IP20
		R	200	200	1401-N54		

(1) For use with fused disconnects or non-fused is a larger enclosure

Terminal Lug Adapter Kit



Switch Rating	Cat. No.
200, 400	1494R-N19

Non-metallic Conduit Connectors – Provided as standard on all 1494G enclosed switches



Size	Switch Rating [A]	Cat. No.
1/2 in. (12.70 mm)	30	1490-N1
3/4 in. (19.05 mm)	30	1490-N9
1 in. (25.40 mm)	30	1490-N10
1-1/4 in. (31.75 mm)	60	1490-N11
1-1/2 in. (38.10 mm)	100	1490-N5
2 in. (50.80 mm)	200	1490-N6
2-1/2 in. (63.50 mm)	200	1490-N7
3 in. (76.20 mm)	400...600	1490-N8

Grounding Adapters – Provided as standard on all 1494G enclosed switches



Wire Size	Switch Rating [A]	Cat. No.
#14...10 AWG, 1/2 in. (12.70 mm)	30	1490-N19
#14...8 AWG, 3/4 in. (19.05 mm)	30	1490-N20
#14...8 AWG, 1 in. (24.50 mm)	30	1490-N21
#14...4 AWG, 1-1/4 in. (31.75 mm)	60	1490-N22
#8...1/0 AWG, 1-1/2 in. (38.10 mm)	100	1490-N23
#8...1/0 AWG, 2 in. (50.80 mm)	200	1490-N24
#6...2/0 AWG, 2-1/2 in. (63.50 mm)	200	1490-N25
#6...4/0 AWG, 3 in. (76.20 mm)	400...600	1490-N26

Specifications

1494G Disconnect Switches

Disconnect Switch Electrical Ratings								
Switch Size		30	60	100	200	400	600	
Rated insulation voltage U_i (UL) IEC		(600) 660V						
Ratings UL/CSA/NEMA	Hp	230V/60 Hz	7.5	15	30	60	125	200
		460V/60 Hz	15	30	60	125	250	400
		575V/60 Hz	20	50	75	150	350	500
		250V DC	5	10	20	40	50	50
	Continuous Current	600V AC	30	60	100	200	400	600
250V AC								
Ratings IEC Applications	Maximum kW (AC23)	220V/50 Hz	5.5	11	22	48	90	150
		440V/50 Hz	11	22	45	90	185	295
		550V/50 Hz	15	37	55	110	257	375
Conductor Size (mm ²)	30...60 A	14...2 Cu / 12...2 Al						
		(2) 14...10 Cu / 12...10 Al ⁽¹⁾						
	100 A	14...1/0 Cu / 12...4 Al / (2) 12...4 Cu - Al						
	200 A	6...250 MCM Cu-Al						
	400 A	(2) 6...300 MCM Cu -Al						
600 A	(2) 1/0 500 MCM Cu-Al ⁽²⁾ (2) 1/0 350 MCM Cu							
Recommended Torque		Conductor into Lug [lb-in (N-m)]			Lug to Terminal [lb-in (N-m)]			
	30 A	45 (5.08)			40...60 (4.5...6.8)			
	60 A	45 (5.08)			40...60 (4.5...6.8)			
	100 A	50 (5.64)			40...60 (4.5...6.8)			
	200 A	275 (31.07)			150...160 (16.9...18.1)			
	400 A	275...300 (31...34)			175...200 (20...23)			
	600 A	275...305 (31...34)			175...200 (20...23)			
Auxiliary Contact Electrical Ratings ^{(3) (4)}								
Standard Contact 1 N.O. or 1 N.C.	NEMA/EEMAC	A600, Q600						
	IEC	AC 15, DC 13 to IEC/EN60947-5-1 and UL 508, 17V, 5 mA minimum						
Low-level Contact 1 N.O. or 1 N.C.	NEMA/EEMAC	C300, R150						
	IEC	AC 15, DC 13 to IEC/EN60947-5-1 and UL 508, 5V, 1 mA minimum						
Mechanical								
Degree of protection	Operating Handles	Non-metallic Type 1, 3R, 4, 4X, 12 Painted Type 1, 3R, 4, 12 Stainless-steel Type 4, 4X						
Mechanical life (Typical)		20,000 operations (30...200 A) 10,000 operations (400...600 A)						
Switching frequency (operations/hr)		30, 60, 100, and 200 A sizes – 300 max. 400 and 600 A sizes – 240 max						
Environment Specifications								
Temperature	Operating	-35...+40 °C (-31...+104 °F)						
	Storage	-40...+65 °C (-40...+149 °F)						
Altitude (per IEC 947-5)		2000 m (6561.7 ft) per IED 337-1						
Relative Humidity (per IEC 947-3)		90% at +20 °C (+68 °F) and 50% at +40 °C (+104 °F)						
Design Specification/Test Requirements								
Dialectic strength		2200V for 1 minute						
Electrical life		6000 operations at rated current						
Short Circuit Withstand Capability		10,000 A: unfused 10,000 A: with Class H fuses 200,000 A: with class J or Class R fuses						
Construction								
Switch body material		Glass filled thermoplastic						
Contact material		Copper, tin-plated						

1494G Disconnect Switches (Continued)**Disconnect Switch Electrical Ratings**

Mounting Bus thread Size	30 A...100 A	#12 - 24 UNC
	200 A...400 A	3/8 - 24 UNF
	600 A	1/2 - 13 UNC

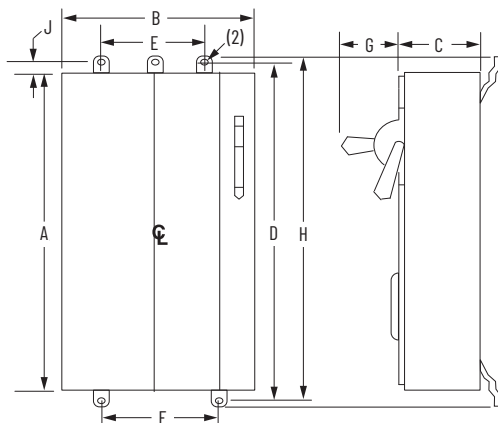
All wire rated +75 °C (+167 °F) or higher must be sized per the local Electric Code for +75 °C (+167 °F) wire.

- (1) Wire pairs must be consistent in type, strand, and wire size.
- (2) Supplied load side on the H/R fuseblock.
- (3) The rating for 1 N.O., 200 A is B600.
- (4) For contact ratings refer to [NEMA Ratings and Test Values for auxiliary contacts on page 71](#).

Approximate Dimensions

Approximate dimensions are shown in inches (millimeters). Dimensions are not intended to be used for manufacturing purposes.

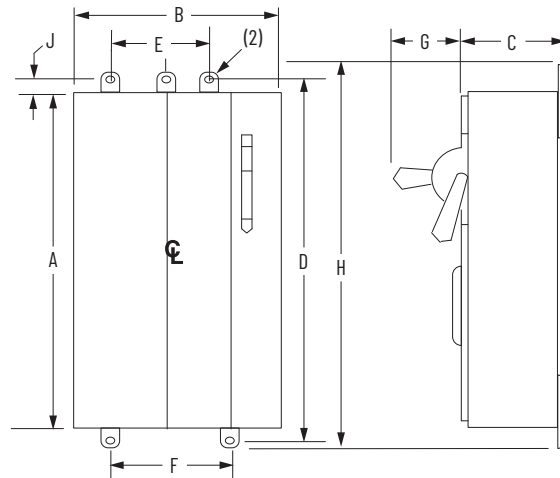
Type 3R/4/12 (Enclosure Code "F" Painted Metal Enclosures)



Size [A]	Fuse Style (1)	Number of Poles	Bulletin No.	Height (A)	Width (B)	Depth (C)	Mounting			Handle Depth (G)	H	J	Approx. Shipping Weight
							(D)	(E)	(F)				
30	A	2 or 3	1494G	13-23/32 (348)	10-1/2 (266.70)	8-1/4 (209.55)	14-11/16 (373.06)	(2)	5-1/4 (133.35)	5-1/2 (140)	15-21/32 (397.67)	5/8 (16)	20 lb (9.07 kg)
60				20 15/32 (520)	10-1/2 (266.70)	10 (254)	21-7/16 (544.51)	(2)	5-1/4 (133.35)	5-1/2 (140)	22-13/32 (569.04)	5/8 (16)	30 lb (13.6 kg)
30	B	2 or 3	1494G	20	10-1/2 (266.70)	10-3/16 (258.76)	21-7/16 (544.51)	(2)	5-1/4 (133.35)	5-9/16 (141.29)	22-13/32 (569.04)	5/8 (16)	60 lb (27.21 kg)
60				27-29/32 (709)	10-1/2 (267)	8-9/32 (210)	28-7/8 (733.43)	(2)	5-1/4 (133)	5-1/2 (140)	29-27/32 (758)	5/8 (16)	60 lb (27.21 kg)
100	A	2 or 3	1494G	27	10-1/2 (266.70)	8-9/32 (210)	28-7/8 (733.43)	(2)	5-1/4 (133)	5-1/2 (140)	29-27/32 (758)	5/8 (16)	60 lb (27.21 kg)
30	B	2 or 3	1494GY	27	10-1/2 (266.70)	8-9/32 (210)	28-7/8 (733.43)	(2)	5-1/4 (133)	5-1/2 (140)	29-27/32 (758)	5/8 (16)	60 lb (27.21 kg)
60	A	2 or 3	1494GY	27	10-1/2 (266.70)	8-9/32 (210)	28-7/8 (733.43)	(2)	5-1/4 (133)	5-1/2 (140)	29-27/32 (758)	5/8 (16)	60 lb (27.21 kg)
30	B	2 or 3	1494GX	30-13/32 (772)	20-1/2 (521)	9-19/32 (244)	31-3/8 (797)	15-1/4 (387)	15-1/4 (387)	5-1/2 (140)	32-11/32 (822)	19/32 (15)	90 lb (40.28kg)
60	A	2 or 3	1494GX	30-13/32 (772)	20-1/2 (521)	9-19/32 (244)	31-3/8 (797)	15-1/4 (387)	15-1/4 (387)	5-1/2 (140)	32-11/32 (822)	19/32 (15)	90 lb (40.28kg)
30	B	2 or 3	1494GX	30-13/32 (772)	20-1/2 (521)	9-19/32 (244)	31-3/8 (797)	15-1/4 (387)	15-1/4 (387)	5-1/2 (140)	32-11/32 (822)	19/32 (15)	90 lb (40.28kg)
60	A	2 or 3	1494GX	30-13/32 (772)	20-1/2 (521)	9-19/32 (244)	31-3/8 (797)	15-1/4 (387)	15-1/4 (387)	5-1/2 (140)	32-11/32 (822)	19/32 (15)	90 lb (40.28kg)
100	B	2 or 3	1494GY	30-13/32 (772)	20-1/2 (521)	9-19/32 (244)	31-3/8 (797)	15-1/4 (387)	15-1/4 (387)	5-1/2 (140)	32-11/32 (822)	19/32 (15)	90 lb (40.28kg)
100	A	2 or 3	1494G	31-15/16 (811)	10-1/2 (267)	9-9/16 (243)	32-7/8 (835)	(2)	5-1/4 (133)	5-1/2 (140)	33-27/32 (860)	5/8 (16)	70 (31.73)
200	B	2 or 3	1494G	31-15/16 (811)	10-1/2 (267)	9-9/16 (243)	32-7/8 (835)	(2)	5-1/4 (133)	5-1/2 (140)	33-27/32 (860)	5/8 (16)	70 (31.73)
100	A	2 or 3	1494GX	50-13/23 (1280)	22 (559)	11 (279)	51-3/8 (1305)	15-1/4 (387)	15-1/4 (387)	5-1/2 (140)	52-11/32 (1330)	19/32 (15)	200 lb (90.7 kg)
200	B	2 or 3	1494GY										
400	A	2 or 3	1494G	50-13/23 (1280)	22 (559)	11 (279)	51-3/8 (1305)	15-1/4 (387)	15-1/4 (387)	8-5/32 (2077)	52-11/32 (1320)	5/8 (16)	200 lb (90.7 kg)
600				56 (1422)	30-1/2 (775)	13-21/32 (345)	57-5/8 (1464)	20 (508)	25-1/4 (641)	8 (203)	85-19/32 (1488)	3/4 (19)	300 lb (136.05 kg)
400	B	2 or 3	1494G	56 (1422)	30-1/2 (775)	13-21/32 (345)	57-5/8 (1464)	20 (508)	25-1/4 (641)	8 (203)	85-19/32 (1488)	3/4 (19)	300 lb (136.05 kg)
600				56 (1422)	30-1/2 (775)	13-21/32 (345)	57-5/8 (1464)	20 (508)	25-1/4 (641)	8 (203)	85-19/32 (1488)	3/4 (19)	300 lb (136.05 kg)

(1) A = Non-fusible, Fusible 250V – Class H/R, Fusible 600V – Class J; B = Fusible 600V – Class H/R.

(2) These enclosures have one top mounting hole that is located on the center line. All other enclosures have two top mounting holes that are located as shown.

Type 4/4X (Enclosure Code “C”) Stainless-steel Enclosures


Size [A]	Fuse Style (1)	Number of Poles	Bulletin No.	Height (A)	Width (B)	Depth (C)	Mounting			Handle Depth (G)	H	J	Approx. Shipping Weight
							(D)	(E)	(F)				
30	A	2 or 3	1494G	13-5/16 (338)	10-1/2 (267)	8-5/16 (211)	14-11/16 (373)	(2)	5-1/4 (133)	5-9/16 (142)	15-17/32 (395)	13/16 (21)	20 lb (9.07 kg)
60													
30	B	2 or 3	1494G	27-1/2 (699)	10-1/2 (267)	8-5/16 (211)	28-7/8 (733)	(2)	7 (178)	5-9/16 (142)	29-23/32 (753)	13/16 (21)	60 lb (27.21 kg)
60	B												
30	A	2 or 3	1494GY	27-1/2 (699)	10-1/2 (267)	8-5/16 (211)	28-7/8 (733)	(2)	7 (178)	5-9/16 (142)	29-23/32 (753)	13/16 (21)	60 lb (27.21 kg)
	B												
60	A												
	B												
30	A	2 or 3	1494GX	30 (762)	20-1/2 (521)	9-11/16 (246)	31-3/8 (797)	17 (432)	17 (432)	5-9/16 (142)	32-7/32 (819)	13/16 (21)	90 lb (40.28 kg)
	B												
60	A												
	B												
100	A	2 or 3	1494G	30 (762)	20-1/2 (521)	9-11/16 (246)	31-3/8 (797)	17 (432)	17 (432)	5-9/16 (142)	32-7/32 (819)	13/16 (21)	90 lb (40.28 kg)
	B												
	C	6											
	D												
	A	2 or 3	1494GX										
	B												
200	A	2 or 3	1494G	50 (1270)	22 (559)	11-3/32 (282)	51-3/8 (1305)	18-1/2 (469.90)	18-1/2 (470)	5-9/16 (141)	52-1/4 (1327)	13/16 (21)	200 lb (90.7 kg)
	B												
	C	6											
	D												
400	A	2 or 3	1494G	56 (1422)	30-1/2 (775)	13-25/32 (350)	57-5/8 (1464)	25-1/4 (641)	25-1/4 (641)	8-1/32 (204)	58-1/2 (1486)	1-1/32 (26)	300 lb (136.05 kg)
	B												
600	A												
	B												

(1) A = Non-fusible, Fusible 250V – Class H/R, Fusible 600V – Class J; B = Fusible 600V – Class H/R; C = Non-fusible; D = Fusible 250V – Class H/R, Fusible 600V – Class J

(2) These enclosures have one top mounting hole that is located on the center line. All other enclosures have two top mounting holes that are located as shown.

Notes:

Bulletin 1494G Safety Disconnect Switches – Hazardous Locations

Overview

Bulletin 1494G safety disconnect switches for hazardous locations can be used for 30 A, 60 A, and 100 A applications. They are available in 3R, 7, and 9 bolted enclosure types for indoor or outdoor use. These switches are certified for use in Class I, Division 1 & 2, Groups C & D, and Class II, Groups E, F & G hazardous gas or dust locations.

Other key features include:

- hinged cover for easy access
- auxiliary contact that is provided as standard
- viewing window that is provided as standard for easy viewing of switch blades
- provisions for a mechanical key interlock switch
- non-fusible version only



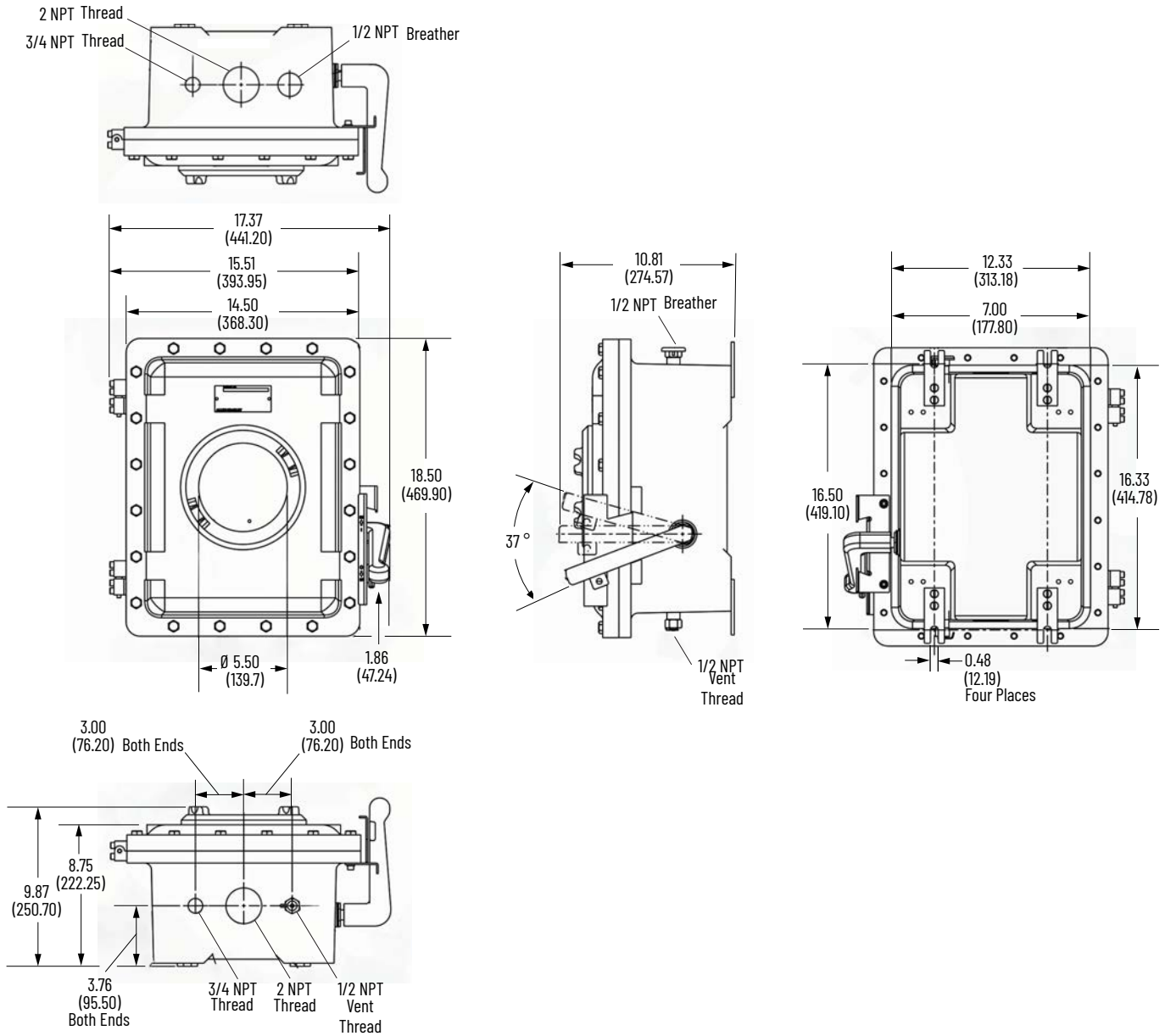
Safety Switch for Hazardous Locations



Size [A]	Horsepower					250V AC	Cat. No. Type 3R, 7 & 9 Bolted Enclosure Class I, Div. 1 and 2, Groups C&D Class II, Groups E, F, G 1494G-DH3N-203W
	480V AC		600V AC				
	Standard	Maximum	Standard	Maximum			
30	5	15	7.5	20	5		
60	15	30	15	50	10		
100	20	60	30	75	20		

Approximate Dimensions

Dimensions are shown in inches (millimeters). Dimensions are not intended to be used for manufacturing purposes.



Overview

Designed for industrial and heavy commercial applications, the Allen-Bradley® 1494H heavy-duty safety disconnect switches are available with switch ratings 30...200 A and in Type 1, 3R, or 12 enclosures. These heavy-duty safety disconnect switches feature a visible-blade construction with a side-mounted, lockable metal handle with three padlocks in the OFF position. It is available in 240V and 600V, 1-phase and 3-phase, fusible and non-fusible configurations. The enclosure can accommodate Class H, J, and R fuses.



Product Selection

Non-fusible Disconnect Switch (600V AC)

Continuous Current Rating [A]	UL and CSA Application Max Horsepower						Cat. No.				
	1-phase (60 Hz)		3-phase (60 Hz)			1-phase (60 Hz)				3-phase (60 Hz)	
	240V AC		240V AC	480V AC	600V AC	125V DC	250V DC		Type 1	Type 3R	Type 12
30	3		10	20	30	3	5		1494H-BA3N	1494H-BN3N	1494H-BF3N
60	10		20	50	60	5	10		1494H-CA3N	1494H-CN3N	1494H-CF3N
100	20		40	75	100	—	20		1494H-DA3N	1494H-DN3N	1494H-DF3N
200	30		60	125	150	—	40		1494H-EA3N	1494H-EN3N	1494H-EF3N

Fusible Disconnect Switch (600V AC)

Continuous Current Rating [A]	UL and CSA Application Max Horsepower												Cat. No.		
	1-phase (60 Hz)		3-phase (60 Hz)						1-phase (60 Hz)		250V DC				
	240V AC		240V AC	480V AC	600V AC		125V DC								
	Standard	Max	Standard	Max	Standard	Max	Standard	Max	Standard	Max	Standard	Max	Type 1	Type 3R	Type 12
30	1.5	3	3	7.5	5	15	7.5	20	2	3	5	—	1494H-BA3H6	1494H-BN3H6	1494H-BF3H6
60	3	10	7.5	15	15	30	15	50	5	—	10	—	1494H-CA3H6	1494H-CN3H6	1494H-CF3H6
100	7.5	15	15	30	25	60	30	75	—	—	20	—	1494H-DA3H6	1494H-DN3H6	1494H-DF3H6
200	15	—	25	60	50	125	60	150	—	—	40	—	1494H-EA3H6	1494H-EN3H6	1494H-EF3H6

Fusible Disconnect Switch (240V AC) ⁽¹⁾

Continuous Current Rating [A]	UL and CSA Application Max Horsepower										Cat. No.		
	1-phase (60 Hz)		3-phase (60 Hz)				1-phase (60 Hz)						
	240V AC		240V AC		480V AC	600V AC	125V DC		250V DC				
	Standard	Max	Standard	Max	Standard	Max	Standard	Max	Standard	Max	Type 1	Type 3R	Type 12
30	1.5	3	3	7.5	—	—	2	3	5	—	1494H-BA3H2	1494H-BN3H2	1494H-BF3H2
60	3	10	7.5	15	—	—	5	—	10	—	1494H-CA3H2	1494H-CN3H2	1494H-CF3H2
100	7.5	15	15	30	—	—	—	—	20	—	—	1494H-DN3H2	1494H-DF3H2
200	15	—	25	60	—	—	—	—	40	—	1494H-EA3H2	1494H-EN3H2	1494H-EF3H2

(1) Includes a neutral lug for four wire applications.

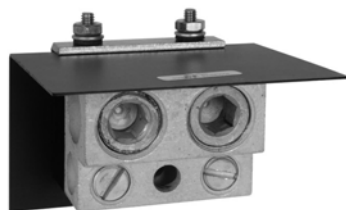
Accessories

Optional accessories are available for all universal disconnect sizes.

Ground Lugs

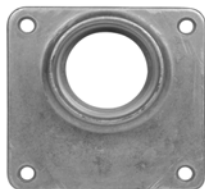
Description	Cat. No.
For 30, 60 A switch	599-GR4
For 100, 200 A switch	599-GR5

Neutral Kits



Description	Cat. No.
30 A @ 250/600V AC Fusible (Type 1 & 3R)	599-NK1
30 A @ 250/600V AC Non-Fusible (Type 1 & 3R)	599-NK2
30 A @ 250/600V AC Fusible and Non-Fusible (Type 12)	599-NK3
60 A @ 250/600V AC Fusible and Non-Fusible (Type 1 & 3R)	599-NK4
60 A @ 250/600V AC Fusible (Type 12)	599-NK5
60 A @ 250/600V AC Non-Fusible (Type 12)	599-NK6
100 A @ 250/600V AC Fusible (Type 1 & 3R)	599-NK7
100 A @ 250/600V AC Non-Fusible (Type 1, 3R, and 12)	599-NK8
100 A @ 250/600V AC Fusible (Type 12)	599-NK9
200 A @ 250/600V AC Fusible and Non-Fusible (Type 1 & 3R)	599-NK10
200 A @ 250/600V AC Fusible and Non-Fusible (Type 12)	599-NK11

Conduit Hubs Type 3R (Package Quantity of 10)



Description [in. (mm)]	Cat. No.
0.75 (19.05) hub	1495-N71
1.00 (25.40) hub	1495-N72
1.25 (31.75) hub	1495-N73
1.50 (38.10) hub	1495-N74
2.00 (50.80) hub	1495-N75
2.50 (63.50) hub	1495-N76

Electrical Interlock

Description	Cat. No.
10 A DPDT – early break (for 30 A, Type 1 & 3R only)	1495-N77
15 A DPDT – early break (for 30 A, Type 12)	1495-N78
15 A DPDT – early break (for all 60 A, 100 A, & 200 A, Type 1, 3R, and 12)	

Heavy-Duty Class R Fuse Clip Kits (Quantity of 1 Kit Required per Switch)



Description	Cat. No.
30 A @ 250V AC (Type 1, 3R, and 12)	1401-N70
30 A @ 600V AC (Type 1 & 3R)	1401-N71
30 A @ 600V AC (Type 12)	1401-N72
30 A @ 600V AC (Type 12)	1401-N73
60 A @ 600V AC (Type 1, 3R, and 12)	1401-N74
100 A @ 250/600V AC (Type 12)	1401-N76
100 A @ 250/600V AC (Type 1 & 3R)	1401-N77
200 A @ 250/600V AC (Type 1, 3R, and 12)	

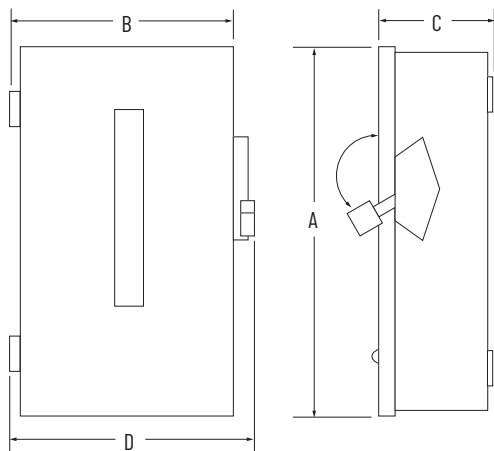
Specifications

Disconnect Switch Electrical Ratings						
Switch Size			30 A	60 A	100 A	200 A
Rated insulation voltage U_i (UL) IEC			(600) 660V			
Ratings: UL/CSA/NEMA	Horsepower	230V/60 Hz	10	20	40	60
		460V/60 Hz	20	50	75	125
		575V/60 Hz	30	60	100	150
		250V DC	5	10	20	40
	Continuous Current	600V AC	30	60	100	200
		250V DC				
Auxiliary Contact Electrical Ratings						
Continuous Current			10 A	15 A		
Pole Configuration			DPDT			
Mechanical						
Degree of protection		Operating handles	Painted Type 1, 3R, 12			
Mechanical life (Typical)		10,000 operations				
Switching frequency (operations/hr)		300 max				
Environment Specifications						
Temperature	Operating		-35...+40 °C (-31...+104 °F)			
	Storage		-40...+65 °C (-40...+149 °F)			
Altitude (per IEC 947-5)		2000 m (6561.68 ft) per IEC 337-1				
Relative Humidity (per IEC 947-3)		90% at 20 °C (68 °F) and 50% at 40 °C (104 °F)				
Design Specification/Test Requirements						
Dielectric strength		2200 for 1 minute				
Electrical life		6000 operations at rated current				
Short Circuit Withstand Capability		10,000 A: unfused				
		10,000 A: with Class H fuses				
		200,000 A: with Class J or Class R fuses (30...100 A)				
		100,000 A: with Class J or Class R fuses (200 A)				
Construction						
Switch body material		Plastic				
Contact material		Copper, tin-plated				
Terminals	30 A	#10 - 32 screw and self-lifting pressure plate				
	60 A	1/4 in. – 28 screw-lug, copper				
	100 A	5/16 in. – 24 screw-lug, copper				
	200 A	3/8 in. – 24 screw-lug, copper				
All wires rated +75 °C (+167 °F) or higher must be sized per the local Electric Code for +75 °C (+167 °F) wire.						
Conductor size (mm ²)	30 A	#14...8 AWG				
	60 A	#12...2 AWG				
	100 A	10... 1/0 AWG				
	200 A	#3...250 MCM AWG				
Recommended torque	Conductor into Lug [lb·in (N·m)]					
	30 A	36...40 (4.07...4.52)				
	60 A	35...45 (3.95...4.08)				
	100 A	35...50 (3.95...5.65)				
	200 A	275 (31.07)				
Mechanisms		Zinc-plated steel, bronze chromate finish				

Approximate Dimensions

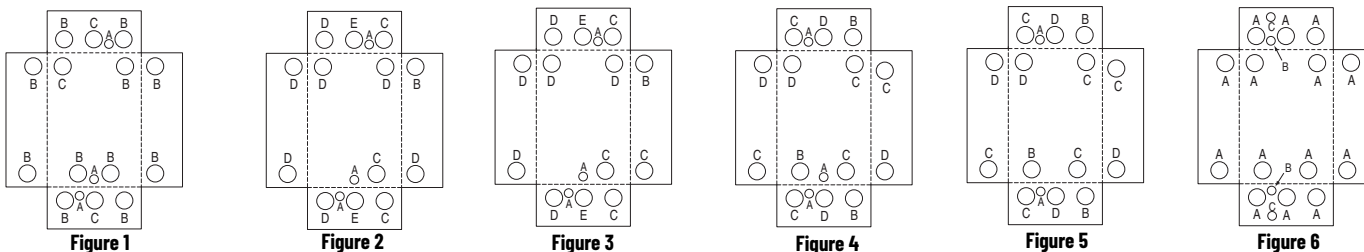
Approximate dimensions are shown in inches (millimeters). Dimensions are not intended to be used for manufacturing purposes.

Type 1 (Enclosure Code "A") General-purpose Painted Metal Enclosures



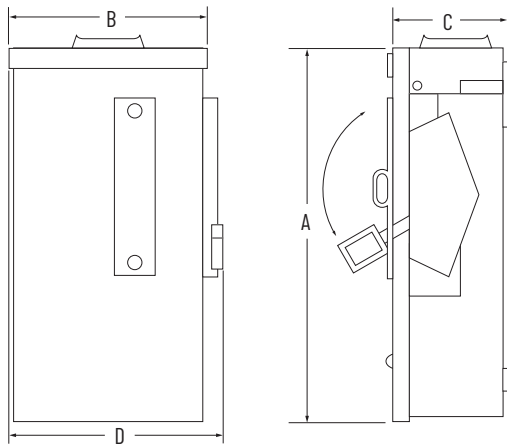
Switch Size [A]	Fuse Style	Height (A)	Width (B)	Depth (C)	Width with Handle (D)	Knockout Figure No.
30	240V	10-9/32 (261.14)	6-3/8 (161.93)	3-5/16 (84.14)	7-1/8 (180.98)	1
	600V	12-19/32 (319.88)	8-3/8 (212.73)	4 (101.60)	9-1/2 (241.30)	2
	Non-fusible	10-3/8 (263.53)	8-3/8 (212.73)	4 (101.60)	9-1/4 (235.00)	3
60	240V	17-19/32 (446.88)	9-3/8 (238.13)	5 (127.00)	10-3/64 (255.19)	4
	600V	21-11/32 (542.13)				5
	Non-fusible	17-19/32 (446.88)				4
100	240V	21-11/32 (542.13)	9-3/8 (238.13)	5 (127.00)	10-3/64 (255.19)	5
	600V	22-11/32 (567.53)				4
	Non-fusible	17-19/32 (446.88)				4
200	240V	31-5/8 (803.28)	13-7/16 (341.31)	5-1/4 (133.35)	14-7/16 (366.71)	6
	600V					
	Non-fusible					

Knockouts – Conduit Size for Type 1 Enclosures



Switch Size [A]	Fuse Style	Knockouts				
		A	B	C	D	E
30	240V	9/32 (7.14)	1/2 x 3/4 (12.7 x 19.05)	3/8 x 1/2 x 3/4 x 1 (9.5 x 12.7 x 19.05 x 25.4)	-	
30	600V	9/32 (7.14)	1/2 x 3/4 (12.7 x 19.05)	1/2 x 3/4 x 1 (12.7 x 19.05 x 25.4)	1/2 x 3/4 x 1 x 1-1/4 (12.7 x 19.05 x 25.4 x 31.75)	3/4 x 1 x 1-1/4 x 1-1/2 (19.05 x 25.4 x 31.75 x 38.1)
	Non-fusible					
60	240V	9/32 (7.14)	1/2 x 3/4 x 1 x 1-1/4 (12.7 x 19.05 x 25.4 x 31.75)	3/4 x 1 x 1-1/4 x 1-1/2 (19.05 x 25.4 x 31.75 x 38.1)	1 x 1-1/4 x 1-1/2 x 2 (25.4 x 31.75 x 38.1 x 50.8)	-
	600V					
	Non-fusible					
100	240V	9/32 (7.14)	1/2 x 3/4 x 1 x 1-1/4 (12.7 x 19.05 x 25.4 x 31.75)	3/4 x 1 x 1-1/4 x 1-1/2 (19.05 x 25.4 x 31.75 x 38.1)	1 x 1-1/4 x 1-1/2 x 2 (25.4 x 31.75 x 38.1 x 50.8)	-
	600V					
	Non-fusible					
200	240V	1 x 1-1/2 x 2 x 2-1/2 (25.4 x 38.1 x 50.8 x 63.5)	9/32 (7.14)	1/2 (12.7)	-	-
	600V					
	Non-fusible					

Type 3R (Enclosure Code "N") Rain-proof Painted Metal Enclosures



Switch Size [A]	Fuse Style	Height (A)	Width (B)	Depth (C)	Width with Handle (D)	Knockout Figure No.
30	240V	10-5/8 (269.88)	6-3/8 (161.93)	3-5/16 (84.14)	7-1/8 (180.98)	7
	600V	13-13/64 (335.36)	8-1/2 (215.90)	4 (101.60)	9-1/8 (231.78)	8
	Non-fusible					
60	240V	17-7/16 (442.91)	9-3/8 (238.13)	5 (127.00)	10-3/4 (273.05)	9
	600V	22-3/16 (563.56)			10-1/2 (266.70)	
	Non-fusible	17-7/16 (442.91)			10-3/64 (255.19)	
100	240V	22-3/16 (563.56)	9-3/8 (238.13)	5 (127.00)	10-5/32 (257.97)	9
	600V	17-7/16 (442.91)			10-3/64 (255.19)	
	Non-fusible					
200	240V	31-7/16 (798.51)	13-3/8 (339.73)	5-15/32 (138.91)	14-1/8 (358.78)	10
	600V					
	Non-fusible					

Knockouts – Conduit Size

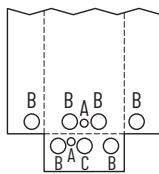


Figure 7

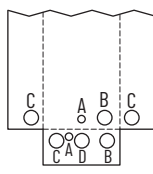


Figure 8

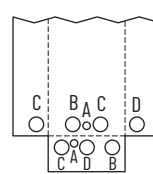


Figure 9

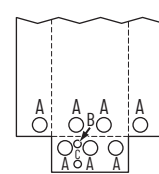
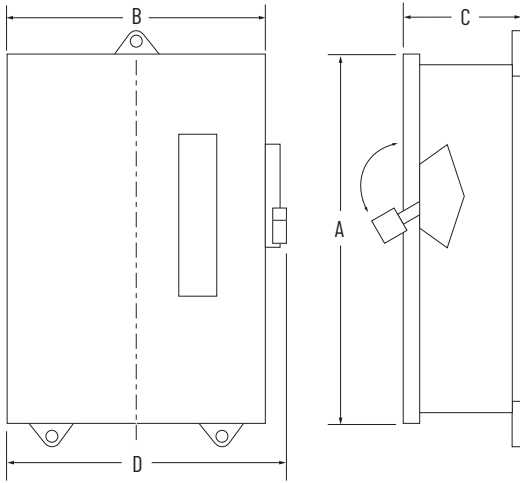


Figure 10

Switch Size [A]	Fuse Style	Knockout Dimensions in. (mm)			
		A	B	C	D
30	240V	9/32 (7.14)	1/2 x 3/4 (12.70 x 19.05)	3/8 x 1/2 x 3/4 x 1 (9.53 x 12.70 x 19.05 x 25.40)	–
	240V				
	600V	9/32 (7.14)	1/2 x 3/4 x 1 (12.70 x 19.05 x 25.40)	1/2 x 3/4 x 1 x 1-1/4 (12.70 x 19.05 x 25.40 x 31.75)	3/4 x 1 x 1-1/4 x 1-1/2 (19.05 x 25.40 x 31.75 x 38.10)
60	240V	9/32 (7.14)	1/2 x 3/4 x 1 (12.70 x 19.05 x 25.40)	3/4 x 1 x 1-1/4 x 1-1/2 (19.05 x 25.40 x 31.75 x 38.10)	1 x 1-1/4 x 1-1/2 x 2 (25.40 x 31.75 x 38.10 x 50.80)
	600V	9/32 (7.14)	1/2 x 3/4 x 1 x 1-1/4 (12.70 x 19.05 x 25.40 x 31.75)	3/4 x 1 x 1-1/4 x 1-1/2 (19.05 x 25.40 x 31.75 x 38.10)	1 x 1-1/4 x 1-1/2 x 2 (25.40 x 31.75 x 38.10 x 50.80)
	Non-fusible				
100	240V	9/32 (7.14)	1/2 x 3/4 x 1 x 1-1/4 (12.70 x 19.05 x 25.40 x 31.75)	3/4 x 1 x 1-1/4 x 1-1/2 (19.05 x 25.40 x 31.75 x 38.10)	1 x 1-1/4 x 1-1/2 x 2 (25.40 x 31.75 x 38.10 x 50.80)
	600V				
	Non-fusible				
200	240V	1 x 1-1/2 x 2 x 2-1/2 (25.40 x 38.10 x 50.80 x 63.50)	9/32 (7.14)	1/2 (12.70)	–
	600V				
	Non-fusible				

Type 12 (Enclosure Code "F") Dust-tight Painted Metal Enclosures



Switch Size [A]	Fuse Style	Height (A)	Width (B)	Depth (C)	Width with Handle (D)
30	240V	11-3/8 (288.93)	7-3/8 (187.33)	5-1/16 (128.59)	8-1/8 (206.38)
	600V	13-3/8 (339.73)	9-3/8 (238.13)	5-1/32 (127.79)	10-1/4 (260.35)
	Non-fusible	11-5/16 (287.33)			
60	240V	19-3/8 (492.13)	9-3/8 (238.13)	5-13/32 (137.32)	10-1/4 (260.35)
	600V			5-5/16 (134.94)	
	Non-fusible	13-3/8 (339.73)		5-1/16 (128.59)	
100	240V	25-3/8 (644.53)	13-1/2 (342.90)	5-9/32 (134.14)	14-1/4 (361.95)
	600V			5-5/16 (134.94)	
	Non-fusible				
200	240V	35-1/8 (892.18)	14-7/16 (366.71)	5-5/16 (134.94)	15-1/4 (387.35)
	600V		14-1/2 (368.30)		
	Non-fusible				

Overview

Bulletin 1491 Control Circuit Fuse Blocks are designed for protection of transformers and control circuits capable of delivering a maximum of 600V and no more than 200,000 RMS symmetrical amps.

Product Selection


Circuit Control Power Fuse Blocks

Circuit Control Power Fuse Blocks	Fuse Size [A]	Number of Poles	Fuse Class	Cat. No.
	0...5	1	CC	599-FR04 ⁽¹⁾
	0.5...30	1	10x38mm	1491-R165 ⁽²⁾
	0.5...30	2	CC	1491-R162 ⁽²⁾
	0.5...30	2	10x38mm	1491-R167 ⁽²⁾
	0.5...30	3	CC	1491-R169 ⁽²⁾
	0.5...30	3	CC	1491-R171 ⁽²⁾

(1) Rated for a 6 A fuse maximum. Controller mounting applies to devices 0...5 A only.

(2) These kits use only Class CC or midget fuses (rated 0.5...30 A) such as those offered by Bussmann KTK-R, Ferraz-Shawmut ATM R, or Littelfuse KLK.

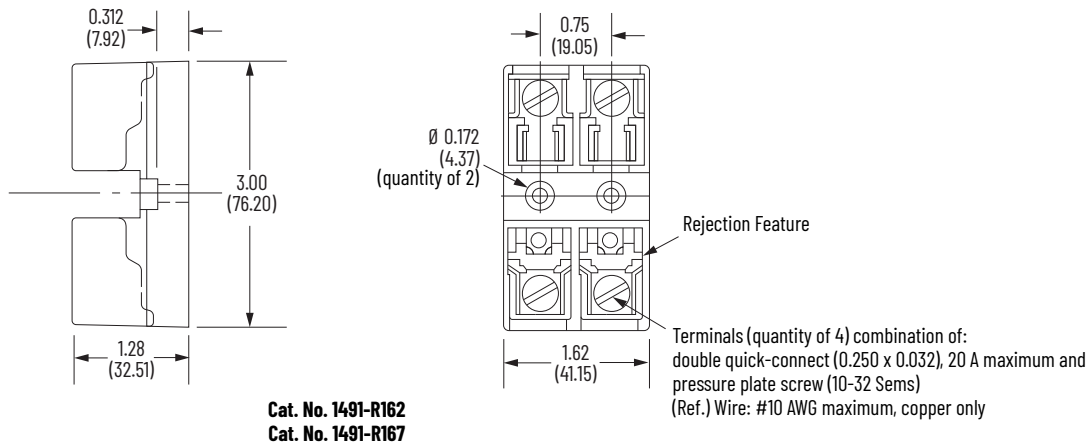
Fuse Cover

Fuse Cover	Cat. No.
	1491-R150

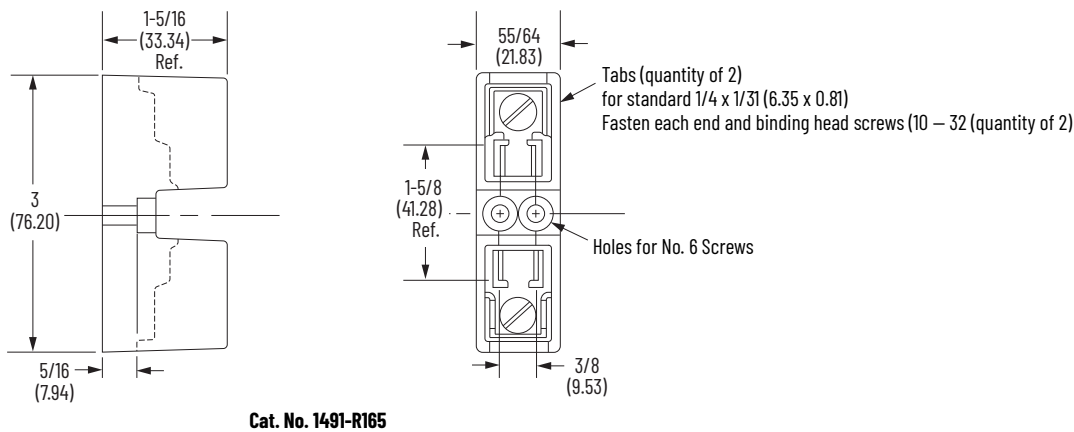
Approximate Dimensions

Approximate dimensions are shown in inches (millimeters). Dimensions are not intended to be used for manufacturing purposes.

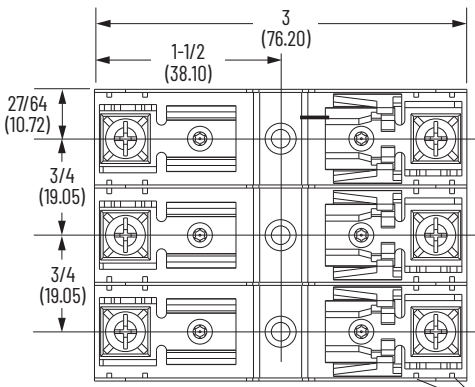
Fuse Block, 0.5...30 A, Class CC or 10x38 mm Fuse, 600V, 2 Pole



Control Circuit Fuse Block, 0...30 A, Class CC or 10x38 mm Fuse, 600V, 1 Pole



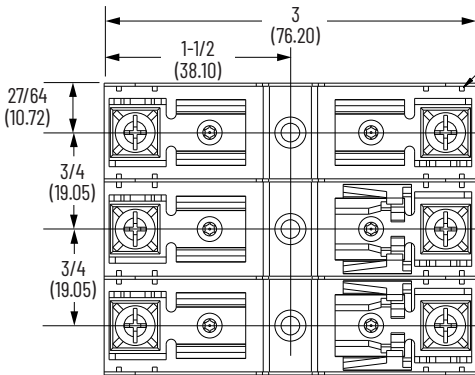
Control Circuit Fuse Block, 0...30 A, Class CC or 10x38 mm Fuse, 600V, 3 Pole



Tabs (quantity of 2)
 for standard 1/4 x 1/31 (6.35 x 0.81)
 Fasten (20 A maximum) and 10 – 32 pressure plate screws
 Typ. six places

Cat. No. 1491-R171

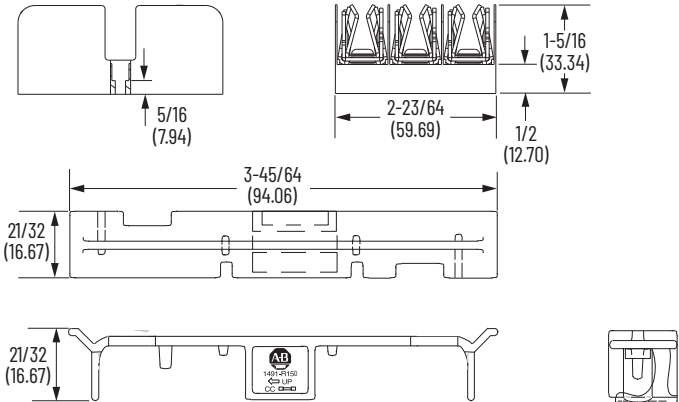
Control Circuit Fuse Block, 0...30 A, Class R Fuse, 600V, 3 Pole



Clip to be used for standard fuse
 (midget), not Class CC (Rejection)

Cat. No. 1491-R169

Fuse Cover without Fuse, For Separate Mount Control Circuit Holders



Cat. No. 1491-R150

Notes:

Overview

Bulletin 1491 Power Fuse Blocks are designed for general-purpose applications. The bases of the fuse blocks (either phenolic or porcelain in construction) are rugged and provide ease in mounting and wiring. Fuse blocks are available with ratings from 30...600 A and can be used with Class H, J, and R fuses.



Spring-Type Fuse Clips			Wedge-Type Fuse Clamps	
Self-lifting Wiring Terminal Clamps	Tang-type Connections	Self-Lifting Wiring Terminal Clamps	Tang-Type Connections on Wiring Terminals	
–	–	Class R Rejection Feature	–	
–	–	–	–	

Product Selection

Power Fuse Blocks

Fuse Size [A]	Maximum Voltage [V]	Number of Poles	Cat. No.		
			Class H	Class J	Class R
0...30	250	1	1491-N121	–	–
		2	1491-N122		–
		3	1491-N125		1491-R125
	600	1	1491-N161	–	–
3		1491-N126	1491-N126	1491-R126	
31...60	250	3	1491-N226	–	1491-R226
	600	3	1491-N266	1491-N266	1491-R266
61...100	250...600	3	1491-N333	1491-N333	1491-R333
101...200	250...600	1	1491-N421 (use two for 2-pole applications)		–
		2	1491-N421 (quantity of 2)		
		3	1491-N433		
201...400	250...600	1	1491-N521 (use two for 2-pole applications)		1491-R523
		2	1491-N521 (quantity of 2)		–
		3	1491-N521 (quantity of 3)		
401...600	250...600	1	1491-N621		1491-R621
		2	1491-N621 (quantity of 2)	–	1491-R621 (quantity of 2)
		3	1491-N621 (quantity of 3)		1491-R621 (quantity of 3)

Spare Parts

Lugs



Lug Connectors 3 per package)		For Use with Cat. No.	Cat. No.
Disconnect Size [A]	Wire Size		
30	#14...#8 AWG wire	1491 Fuse Blocks	(1)
60	#14...#4 AWG wire	1491 Fuse Blocks	1494R-N1
100	#8...#1/0 AWG wire	1491 Fuse Blocks	1494R-N2
200	#6...#4/0 AWG wire	1491 Fuse Blocks	1494R-N3
400	2 of #1/0...350 MCM wire	1491 Fuse Blocks	1494R-N10
600	2 of #1/0...350 MCM wire	1491 Fuse Blocks	1494R-N11

(1) All terminals of the 30 A switches are furnished with self-lifting pressure plate connectors as standard.

Fuse Clip Kits – includes six clips and mounting hardware



Fuse Class	Fuse Clip Rating [A]		Cat. No.
	250V	600V	
H	30	—	1401-N41
H, J	60	30	1401-N42
H, J	—	60	1401-N43
H, J	100	100	1401-N44
H, J	200	200	1401-N45
H, J	400	400	1401-N46 (1)
R	30	—	1401-N50
R	60	30	1401-N51
R	—	60	1401-N52
R	100	100	1401-N53
R	200	200	1401-N54
R	400	400	1401-N55

(1) All terminals of the 30 A switches are furnished with self-lifting pressure plate connectors as standard.

Certifications

Bulletin 1491
UL Listed – File No. E34648
CSA Certified – File No. LR1234

Specifications

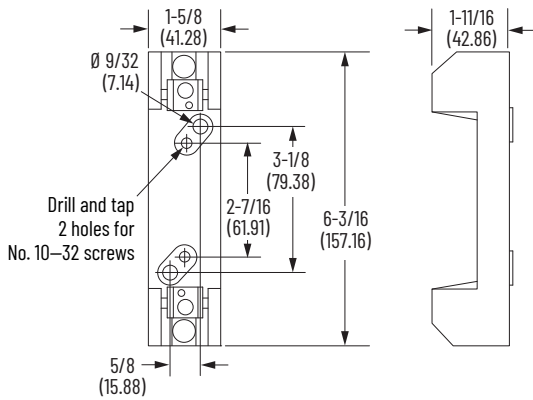
Electrical				
UL Fuse Type	Class CC	Class H	Class J	Class R
CSA Fuse Type	HRCI-Misc.	HRCI-H	HRCI-J	HRCI-R
Maximum Fuse Cartridge Size	30 A	30 A - 600 A	30 A - 400 A	30 A - 400 A
Maximum Voltage AC	600V	600V	600V	600V
Maximum Voltage DC	250V	250V	250V	250V
Thermal Current Rating	30 A	30 A - 600 A	30 A - 400 A	30 A - 400 A
Maximum Short Circuit Prospective Fault Current	200 kA	10 kA	100 kA	200 kA
Mechanical				
Degree of Protection	IP00	IP00	IP00	IP00
Terminal Capacity mm ²	6	10	10	10
Terminal Capacity AWG	#10	#8	#8	#8
Construction				
Fuse Clips	Tin plated copper alloy			
Terminals	Tin plated copper alloy			
Fuse Block Base	Phenolic or Porcelain			
Environmental				
Ambient Temperature	Open -20 °C to +55 °C (-4 °F to +131 °F)			
	Enclosed -20 °C to +40 °C (-4 °F to +104 °F)			
	Storage -40 °C to +65 °C (-40 °F to +149 °F)			
Altitude (per IEC 947-5)	2000 m			
Relative Humidity (per IEC 947-3)	90% at 20 °C and 50% at 40 °C			

Approximate Dimensions

Approximate dimensions are shown in inches (millimeters). Dimensions are not intended to be used for manufacturing purposes.

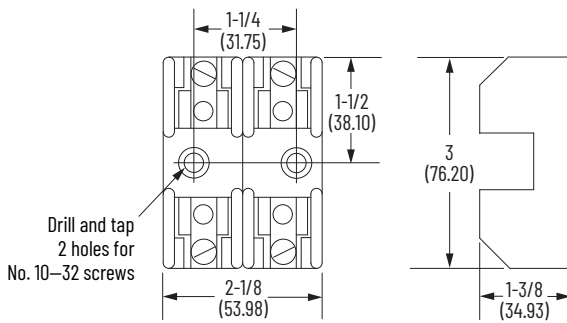
Fuse Size 1...30 A

Fuse Block, 1...30 A, Class H Fuse, 600V, 1 Pole



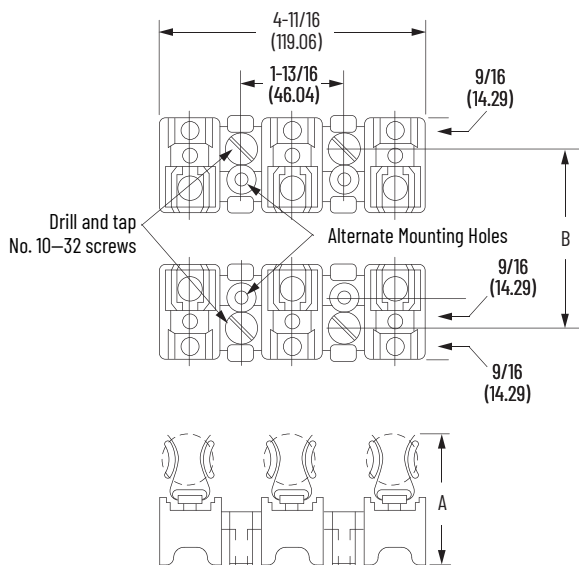
Cat. No. 1491-N161

Fuse Block, 1...30 A, Class H Fuse, 250V, 2 Pole



Cat. No. 1491-N122

Fuse Block, 1...30 A, Class H and J Fuse, 250/600V, 3 Pole



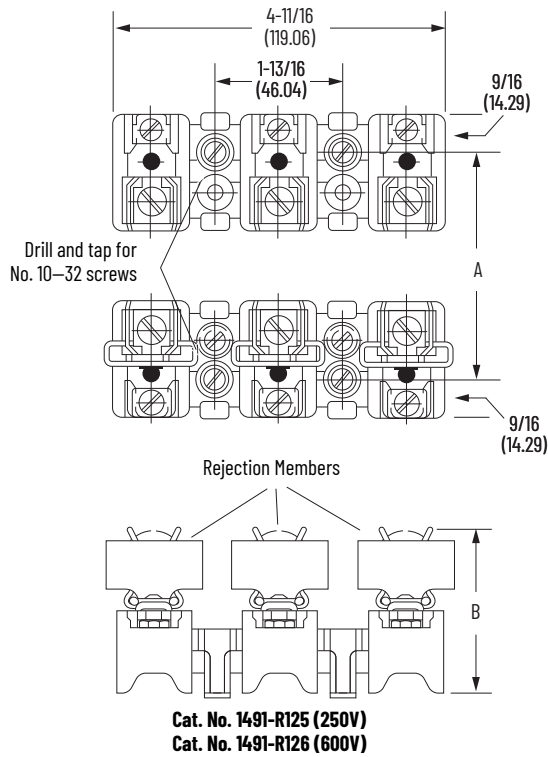
Cat. No. 1491-N125 (250V)
Cat. No. 1491-N126 (600V)

Voltage [V]	Class H		Class J	
	(A)	(B)	(A)	(B)
250	2-1/8 (54.00)	3 (76.20)	-	
600	2-3/8 (60.30)	5-3/4 (146.10)	2-3/8 (60.30)	3 (76.20)



When fuse blocks are installed in a vertical plane, the block with the rejection must be on the bottom.

Fuse Block, 1...30 A, 250/600V, 3 Pole



Voltage [V]	(A) ⁽¹⁾	(B)
	±0.020 (0.508)	(Ref.)
250	2.94 (74.68)	2-1/8 (53.97)
600	5.72 (145.29)	2-3/8 (60.33)

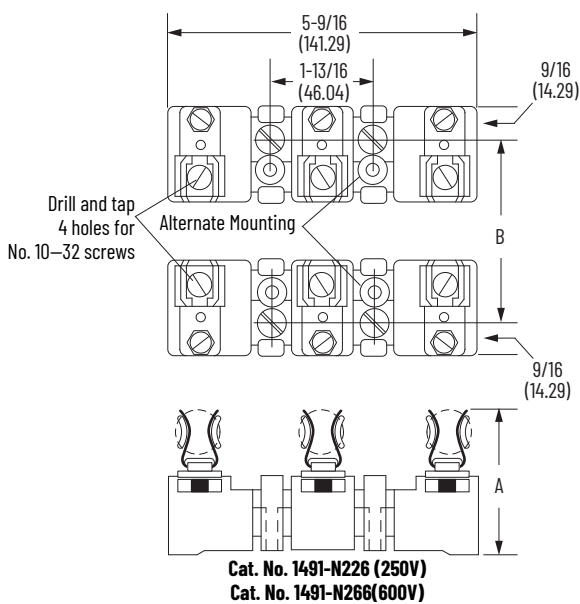
(1) Dimension "A" must be held to achieve fuse block rejection function.



When fuse blocks are installed in a vertical plane, the block with the rejection must be on the bottom.

Fuse Size 31...60 A

Fuse Block, 31...60 A, Class H and J Fuse, 250/600V, 3 Pole

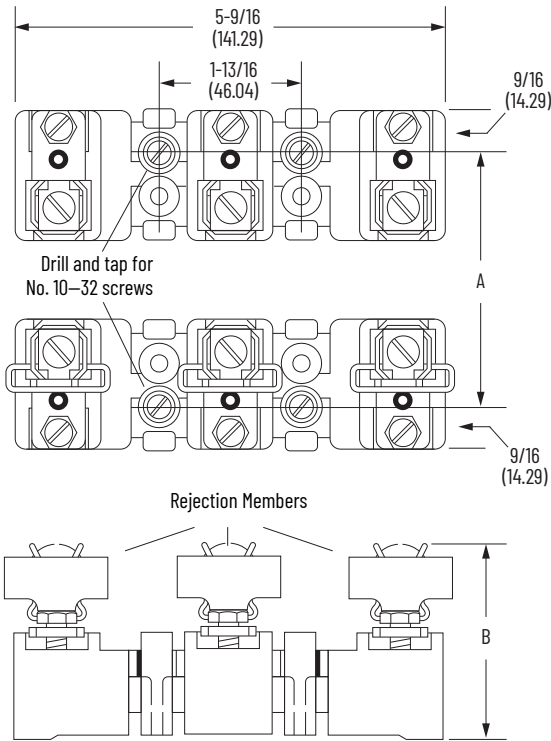


Voltage [V]	Class H		Class J	
	(A)	(B)	(A)	(B)
250	2-3/8 (60.30)	3-3/4 (95.30)	—	—
600	2-11/16 (68.30)	6-1/4 (158.80)	2-11/16 (68.30)	3-1/8 (79.40)



When fuse blocks are installed in a vertical plane, the block with the rejection must be on the bottom.

Fuse Block, 31...60 A, 250/600V, 3 Pole



Cat. No. 1491-R226 (250V)
Cat. No. 1491-R266 (600V)

Voltage [V]	(A) ⁽¹⁾ ±0.020 (0.508)	(B) (Ref.)
250	3.72 (94.49)	2-3/8 (60.33)
600	6.22 (157.99)	2-11/16 (68.26)

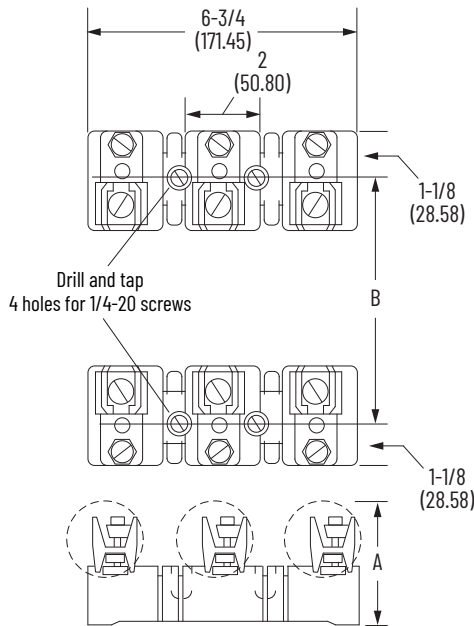
(1) Dimension "A" must be held to achieve fuse block rejection function.



When fuse blocks are installed in a vertical plane, the block with the rejection must be on the bottom.

Fuse Size 61...100

Fuse Block, 61...100 A, Class H and J, 250/600V, 3 Pole

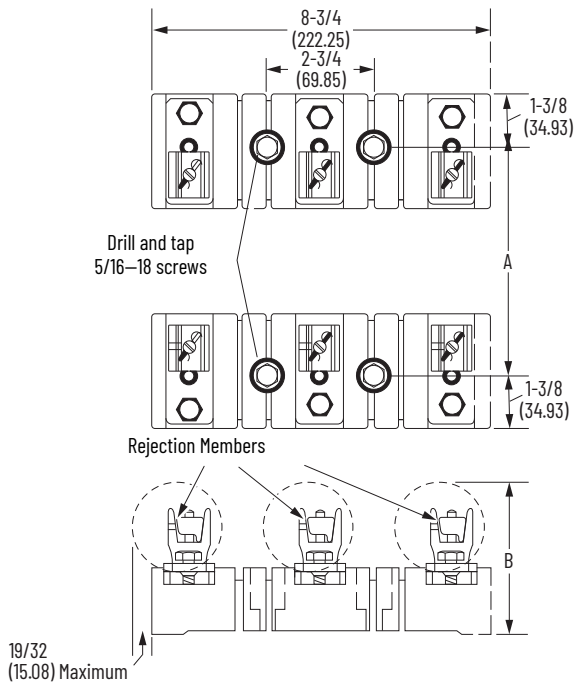


Cat. No. 1491-N333

Voltage [V]	Class H		Class J	
	(A)	(B)	(A)	(B)
250	2-15/16 (74.60)	5-7/8 (149.20)	—	—
600	3-1/8 (79.40)	7-7/8 (200.00)	3 (76.20)	4-5/8 (117.50)

Fuse Size 101...200 A

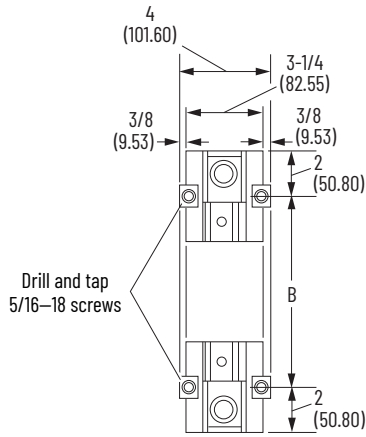
Fuse Block, 101...200 A, 250/600V, 3 Pole



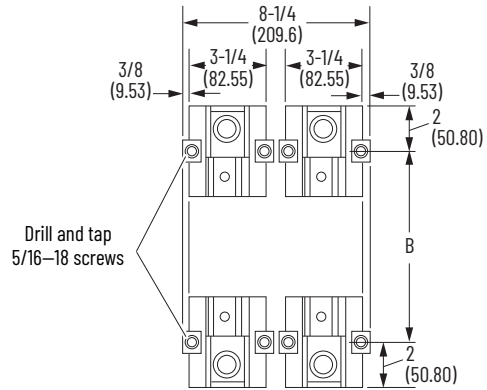
Voltage [V]	(A) ⁽¹⁾ ±0.020 (0.508)	(B) (Ref.)
250	7.25 (184.15)	4-3/16 (106.36)
600	9.75 (247.60)	4-5/16 (109.54)

(1) Dimension "A" must be held to achieve fuse block rejection function.

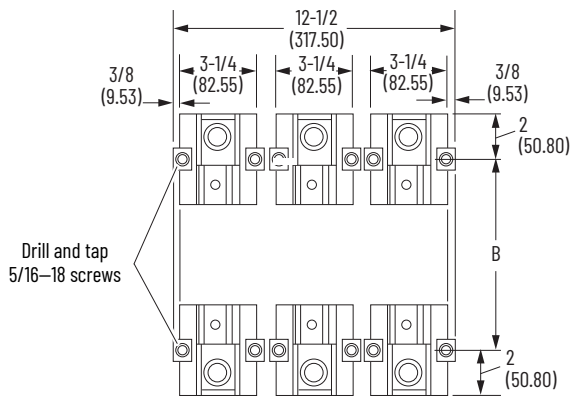
Fuse Block, 101...200 A, Fuse Class H, R, and J, 250/600V, Single Pole



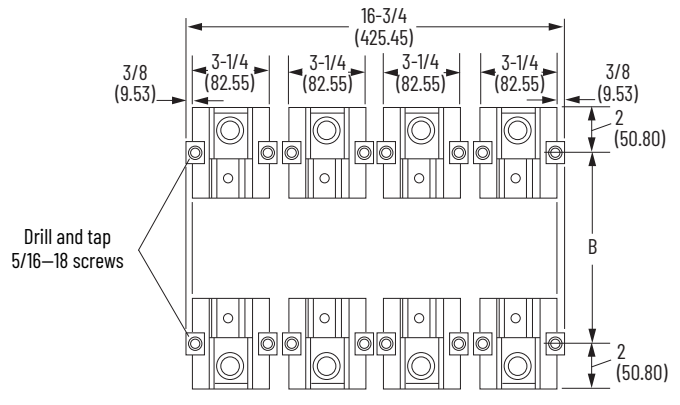
Single Pole Application
Cat. No. 1491-N521



2-Pole Application
Use (2) of Cat. No. 1491-N521



3-Pole Application
Use (3) of Cat. No. 1491-N521

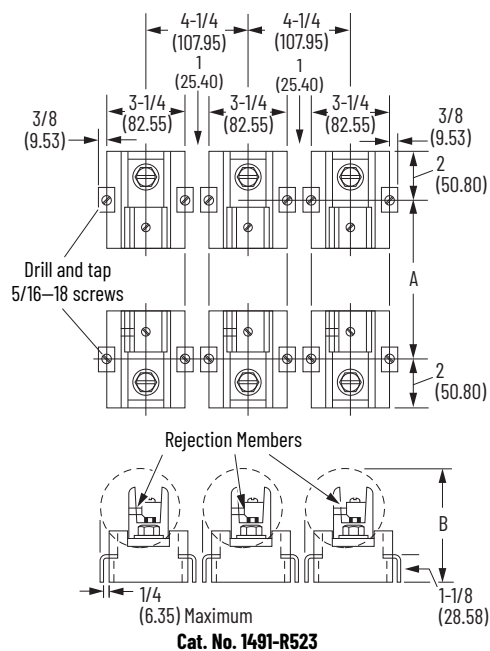


4-Pole Application
Use (4) of Cat. No. 1491-N521

Voltage [V]	Class H or R		Class J	
	(A)	(B)	(A)	(B)
250	4-3/4 (120.70)	9 (228.60)	—	—
600	4-61/64 (125.80)	12 (304.80)	4-5/8 (117.50)	7-1/2 (190.50)

Fuse Size 201...400 A

Fuse Block, 201...400 A, 250/600 V, 3 Pole

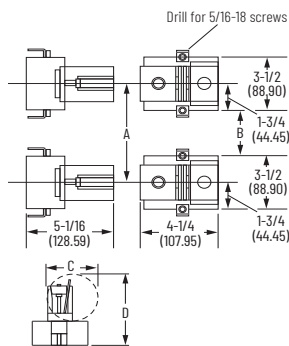


Voltage [V]	(A) ⁽¹⁾	(B)
	±0.020 (0.508)	(Ref.)
250	9 (228.60)	4-3/4 (120.70)
600	12 (304.80)	4-61/64 (125.81)

(1) Dimension "A" must be held to achieve fuse block rejection function.

Fuse Size 401...600 A

Fuse Block, 600 A, Class H, R, and J, 250/600V



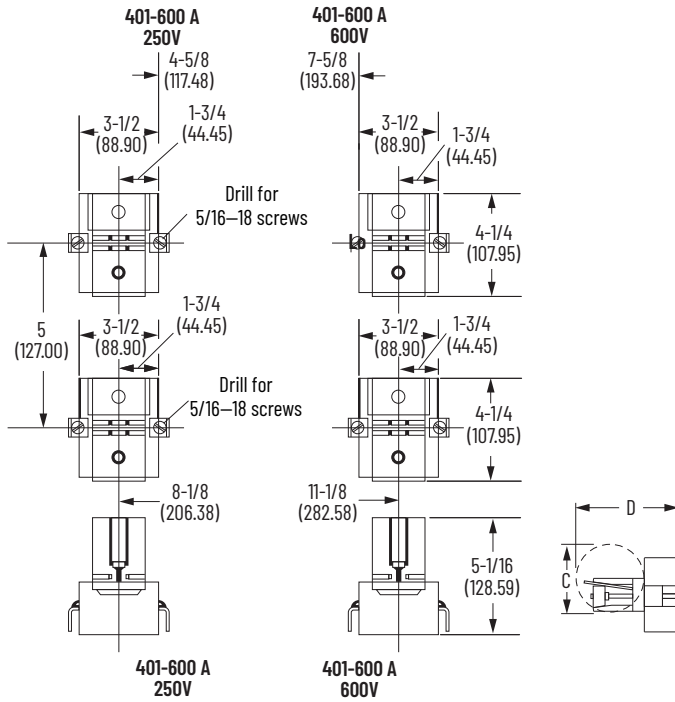
Voltage [V]	Class H or R				Class J	
	(A)	(B)	C	D	(A)	(B)
250	8-1/8 (206.38)	4-5/8 (117.47)	2-13/16 (71.4)	5-1/4 (133.4)	—	—
600	11-1/8 (282.57)	7-5/8 (193.68)	3-1/16 (77.8)	5-1/2 (139.7)	5 (127.00)	2-1/2 (63.50)

Cat. No. 1491-N621
Cat. No. 1491-R621



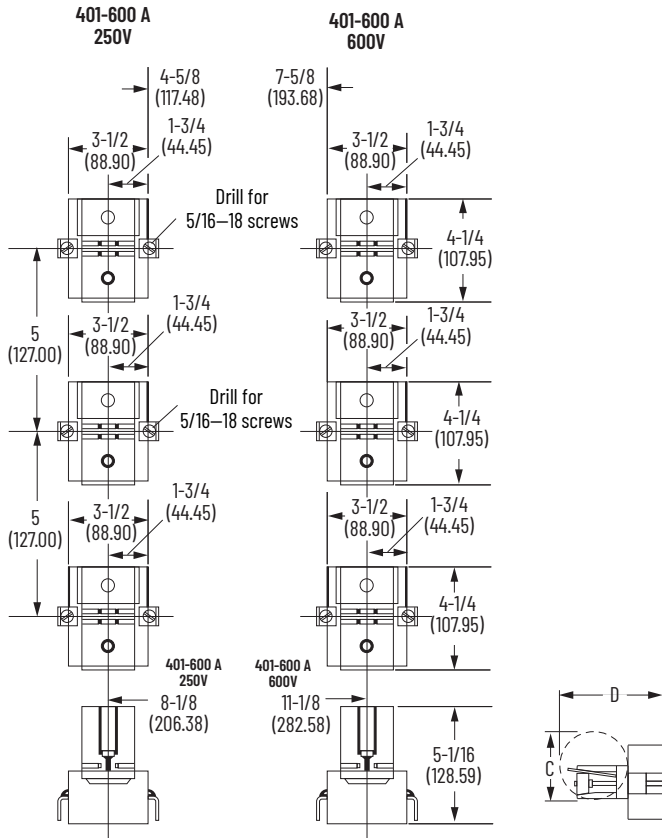
When fuse blocks are installed in a vertical plane, the block with the rejection must be on the bottom. Fuse blocks with wedge type clamps (61 A and above) can be oriented to mount all fuses either to the left or to the right of fuse clamp centers.

Fuse Blocks, 400 A Termination Only, 250/600V, 2 Pole



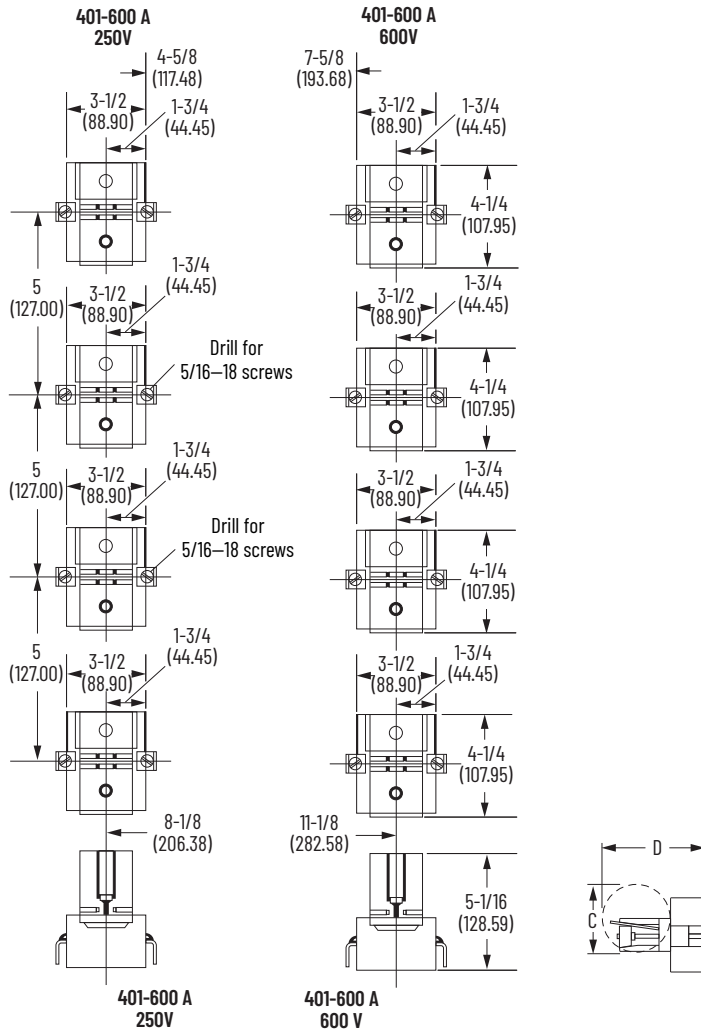
Cat. No. 1491-N621 (quantity of 2)

Fuse Blocks, 400 A Termination Only, 250/600V, 3 Pole



Cat. No. 1491-N621 (quantity of 3)

Fuse Blocks, 400 A Termination Only, 250/600V, 4 Pole



Cat. No. 1491-N621 (quantity of 4)

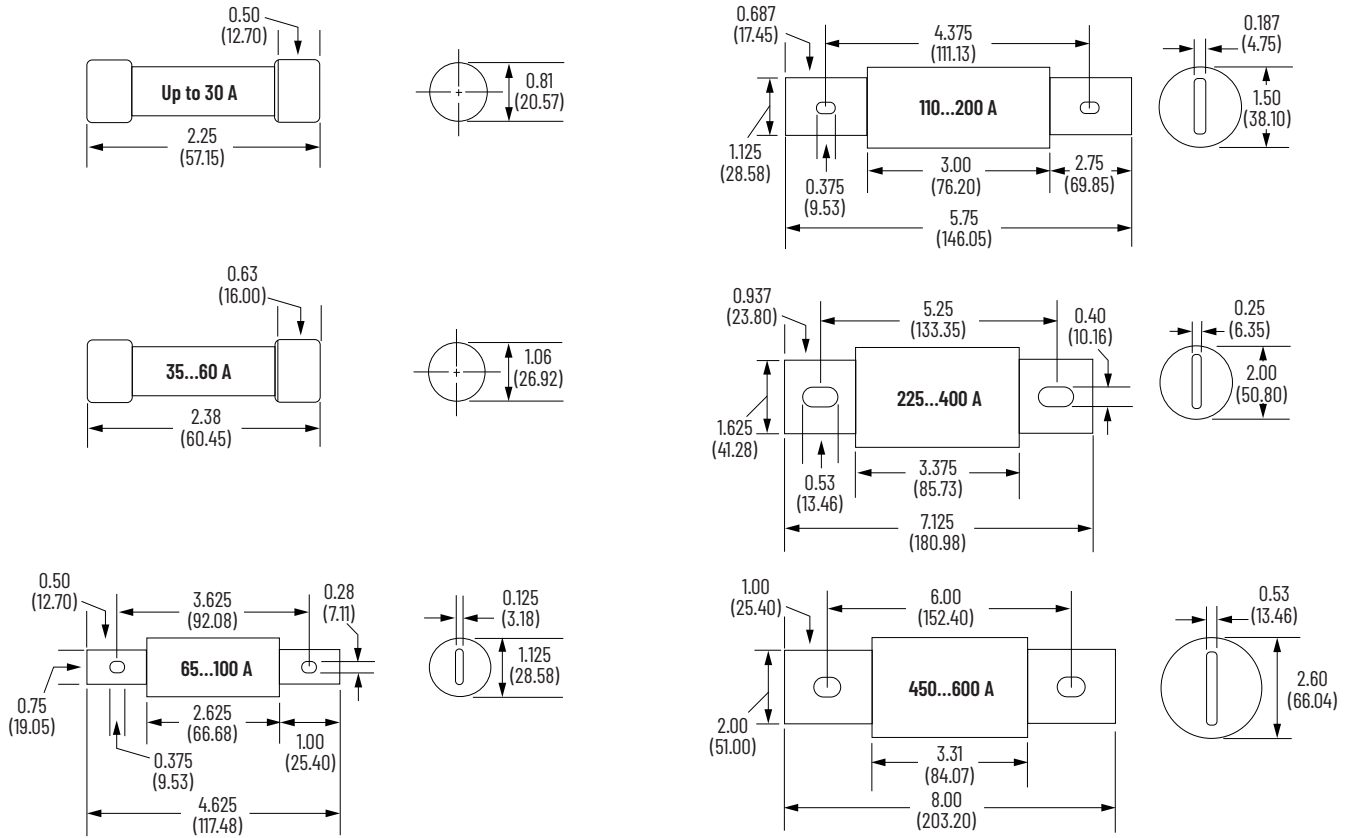
General Data

Fuses

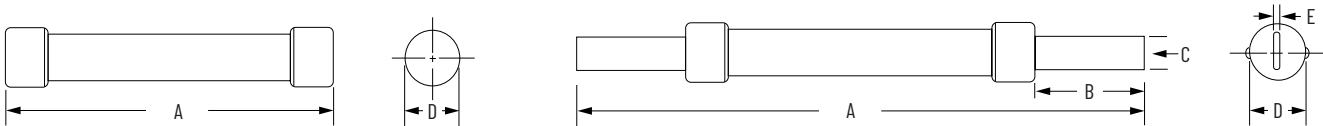
Approximate Dimensions

Approximate dimensions are shown in inches (millimeters). Dimensions are not intended to be used for manufacturing purposes

Class J

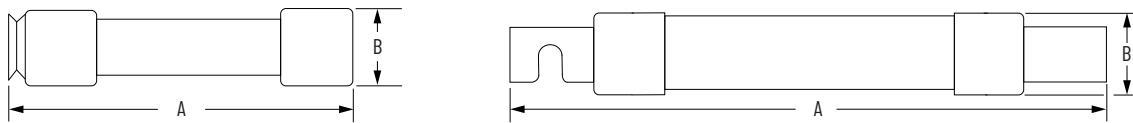


Class H



Voltage	Amperage	A	B	C	D	E
250V	Up to 30 A	2.00 (50.80)	–	–	0.56 (14.22)	–
	35...60 A	3.00 (76.20)	–	–	0.81 (20.57)	–
	70...100 A	5.88 (149.35)	1.00 (25.40)	0.75 (19.05)	1.06 (26.92)	0.13 (3.30)
	110...200 A	7.13 (181.10)	1.38 (35.05)	1.13 (28.70)	1.63 (41.40)	0.19 (4.83)
	225...400 A	8.63 (219.20)	1.88 (47.75)	1.63 (41.40)	2.13 (54.10)	0.25 (6.35)
	450...600 A	10.40 (264.16)	2.25 (57.15)	2.00 (50.80)	2.63 (66.80)	0.25 (6.35)
600V	Up to 30 A	5.00 (127.00)	–	–	0.81 (20.57)	–
	35...60 A	5.50 (139.70)	–	–	1.09 (27.69)	–
	70...100 A	7.88 (200.15)	1.00 (25.40)	0.75 (19.05)	1.38 (35.05)	0.13 (3.30)
	110...200 A	9.63 (244.60)	1.38 (35.05)	1.13 (28.70)	1.88 (47.75)	0.19 (4.83)
	225...400 A	11.60 (294.64)	1.88 (47.75)	1.63 (41.40)	2.63 (66.80)	0.25 (6.35)
	450...600 A	13.40 (340.36)	2.25 (57.15)	2.00 (50.80)	3.13 (79.50)	0.25 (6.35)

Class R



Voltage	Amperage	A	B
250V	Up to 30 A	2.00 (50.80)	0.56 (14.22)
	35...60 A	3.00 (76.20)	0.81 (20.57)
	70...100 A	5.88 (149.35)	1.16 (29.46)
	110...200 A	7.13 (181.10)	1.66 (42.16)
	225...400 A	8.63 (219.20)	2.38 (60.45)
	450...600 A	10.38 (263.65)	2.88 (73.15)
600V	Up to 30 A	5.00 (127.00)	0.81 (20.57)
	35...60 A	5.50 (139.70)	1.06 (26.92)
	70...100 A	7.88 (200.15)	1.34 (34.04)
	110...200 A	9.63 (244.60)	1.84 (46.74)
	225...400 A	11.63 (295.40)	2.59 (65.79)
	450...600 A	13.38 (339.85)	3.13 (79.50)

NEMA Ratings and Test Values for auxiliary contacts

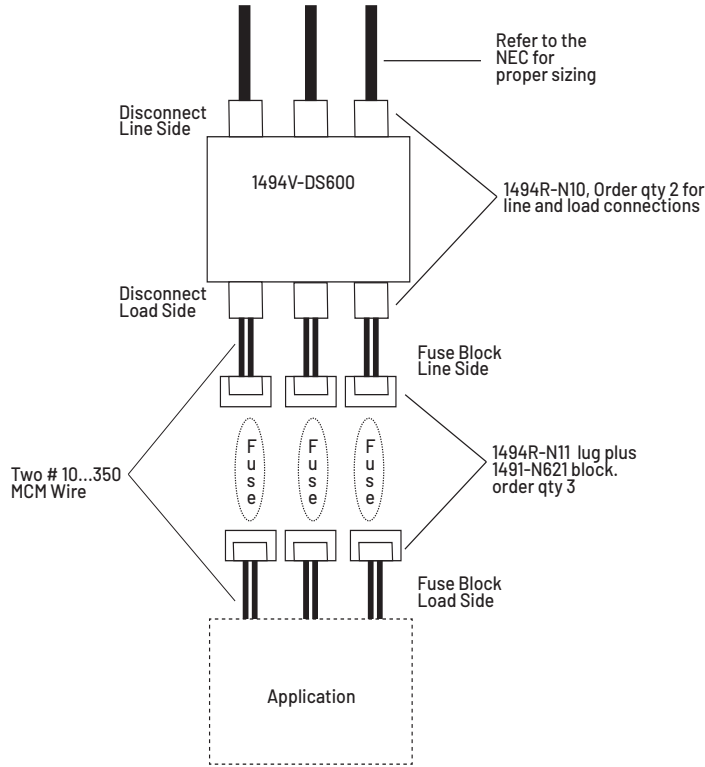
NEMA Ratings and Test Values for AC Control Circuit Contacts at 50 Hz or 60 Hz

NEMA Contact Rating Designation	Thermal Continuous Test Current [A]	Maximum Current [A]									
		120V		240V		480V		600V		VA	
		Make	Break	Make	Break	Make	Break	Make	Break	Make	Break
A600	10	60	6.00	30	3.00	15	1.50	12	1.20	7200	720
C300	2.5	15	1.50	7.5	0.75	—	—	—	—	1800	1800

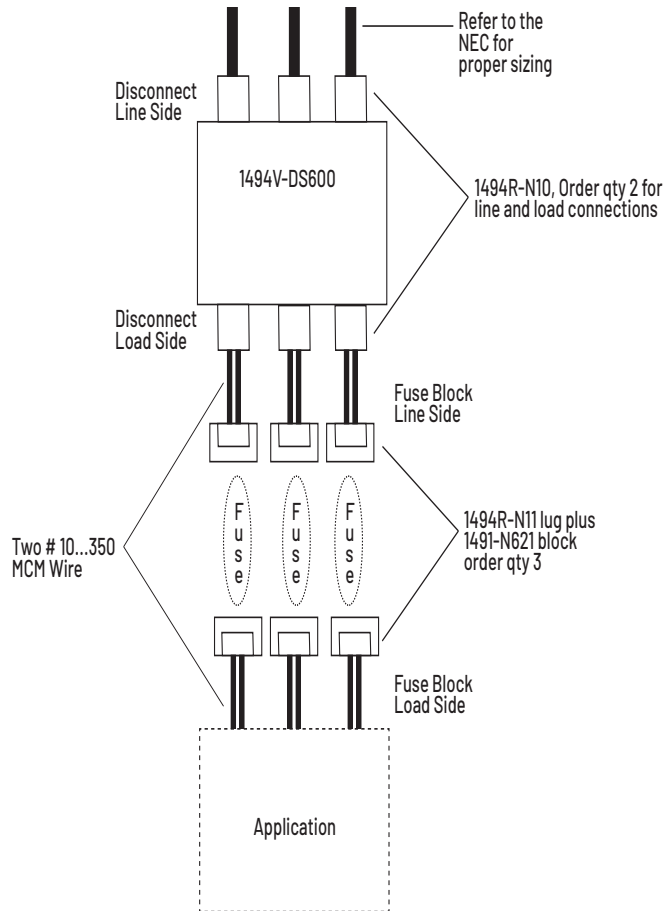
NEMA Ratings and Test Values for DC Control Circuit Contacts

NEMA Contact Rating Designation	Thermal Continuous Test Current [A]	Maximum Current [A]				Make or Break at 300V or less [VA]
		5...28V	125V	250V	301...600V	
Q600	2.5	2.5	0.55	0.27	0.11	69
R150	1.0	1.0	0.224	—	—	28

1494U-R600 Kit



1494U Application for 600A H Style



Additional Resources

These documents contain additional information concerning related products from Rockwell Automation. You can view or download publications at rok.auto/literature.

Resource	Description
Installing Your Main Disconnect Handle Just Became Easy, publication 1494U-AT001	Provides information on use of flex cable operating mechanisms.
Universal Disconnect Switch (30 A, 60 A, 100 A) Installation Instructions publication 1494U-IN001	Provides information for 30 A, 60 A, and 100 A disconnect switch installation.
Universal Disconnect Switch (200 A) Installation Instructions, publication 1494U-IN007	Provides information for 200 A disconnect switch installation.
IP20 Protective Cover (200 A) Installation Instructions, publication 1494U-IN009	Provides information for IP20 protective cover installation.
IP1XB Protective Cover (400 A) Installation Instructions, publication 1494U-IN010	Provides information for IP1XB protective cover installation.
Universal Disconnect Switch (400 A) Installation Instructions, publication 1494U-IN012	Provides information for 400 A disconnect switch installation.
Universal Disconnect Switch (600 A) Installation Instructions, publication 1494V-IN028	Provides information for 600 A disconnect switch installation.
Fuse Cover with Door Installation, Bulletin 1494V Disconnect Switch (400 A/ 600 A), publication 1495-IN003	Provides information to install and remove a fuse cover with door.
Bulletin 1495 Protective Fuse Cover for use with Separately Mounted Cat. No. 1491-N621 or 1491-R621 (600 A) Fuse Block Kits Installation Instructions, publication 1495-IN012	Provides information for fuse cover installation.
Fuse Blocks: Bulletin 1491 (201...600 A/250...600V) Dimensions, publication 1491-DS003	Provides information for Cat. No. 1491-N621 or Cat. No. 1491-R621 installation.
Universal Disconnect Switch (30 A, 60 A, 100 A) Installation Instructions, publication 1494U-IN001	Provides information for 30 A, 60 A, and 100 A disconnect switch installation.
Universal Disconnect Switch (200 A) Installation Instructions, publication 1494U-IN007	Provides information for 200 A disconnect switch installation.
IP20 Protective Cover (200 A) Installation Instructions, publication 1494U-IN009	Provides information for IP20 protective cover installation.
IP1XB Protective Cover (400 A) Installation Instructions, publication 1494U-IN010	Provides information for IP1XB protective cover installation.
Universal Disconnect Switch (400 A) Installation Instructions, publication 1494U-IN012	Provides information for 400 A disconnect switch installation.
Universal Disconnect Switch (600 A) Installation Instructions, publication 1494V-IN028	Provides information for 600 A disconnect switch installation.
Neutral Kit for Bulletin 1494H (Heavy Duty) and Bulletin 1494HL (General Duty) Safety Switches (30 A, 60 A, 100 A, 200 A) Installation Instructions, publication 42052-189 (03)	Provides information for neutral/grounding kit installation.
Electrical Interlock Kit for Bulletin 1494H (Heavy Duty) Safety Switches Installation Instructions, publication 42052-188 (03)	Provides information for Bulletin 1494H electrical interlock kit installation.
Conduit Hub for Bulletin 1494H (Heavy Duty) and Bulletin 1494HL (General Duty) Safety Switches in Type 3R Enclosures Installation Instructions, publication 42052-166 (02)	Provides information for Bulletin 1494H and 1494HL conduit hub installation in Type 3R enclosures.
Service Disconnect Ground Kit for Bulletin 1494H (Heavy Duty) and Bulletin 1494HL (General Duty) Safety Switches Installation Instructions, publication 42052-165 (02)	Provides information for Bulletin 1494H and 1494HL service disconnect ground kit installation.
Class R Fuse Kit for Bulletin 1494H (Heavy Duty) Safety Switches Installation Instructions, publication 42052-167-01 (05)	Provides information for Bulletin 1494H Class R fuse kit installation.
Fuse Cover with Door Installation Bulletin 1494V Disconnect Switch - 400 A/600 A, publication 1495-IN003	Provides information for fuse cover with door installation.
Bulletin 1495 Protective Fuse Cover for use with Separately Mounted 1491-N621 or 1491-R621 (600 A) Fuse Block Kits Installation Instructions, publication 1495-IN012	Provides information for fuse cover installation.
UL Standards Listing for Industrial Control Products, publication CMPNTS-SR002	Assists original equipment manufacturers (OEMs) with construction of panels, to help ensure that they conform to the requirements of Underwriters Laboratories.
American Standards, Configurations, and Ratings: Introduction to Motor Circuit Design, publication IC-AT001	Provides an overview of American motor circuit design based on methods that are outlined in the National Electrical Code (NEC).
Industrial Components Preventive Maintenance, Enclosures, and Contact Ratings Specifications, publication IC-TD002	Provides a quick reference tool for Allen-Bradley industrial automation controls and assemblies.
Safety Guidelines for the Application, Installation, and Maintenance of Solid-state Control, publication SGI-1.1	Designed to harmonize with National Electrical Manufacturers Association (NEMA) Standards Publication No. ICS 1.1-1987 and provides general guidelines for the application, installation, and maintenance of solid-state control in the form of individual devices or packaged assemblies incorporating solid-state components.
Industrial Automation Wiring and Grounding Guidelines, publication 1770-4.1	Provides general guidelines for installing a Rockwell Automation industrial system.
Product Certifications website, rok.auto/certifications .	Provides declarations of conformity, certificates, and other certification details.

Rockwell Automation Support

Use these resources to access support information.

Technical Support Center	Find help with how-to videos, FAQs, chat, user forums, Knowledgebase, and product notification updates.	rok.auto/support
Local Technical Support Phone Numbers	Locate the telephone number for your country.	rok.auto/phonesupport
Technical Documentation Center	Quickly access and download technical specifications, installation instructions, and user manuals.	rok.auto/techdocs
Literature Library	Find installation instructions, manuals, brochures, and technical data publications.	rok.auto/literature
Product Compatibility and Download Center (PCDC)	Download firmware, associated files (such as AOP, EDS, and DTM), and access product release notes.	rok.auto/pcdc





Documentation Feedback

Your comments help us serve your documentation needs better. If you have any suggestions on how to improve our content, complete the form at rok.auto/docfeedback.

Allen-Bradley, expanding human possibility, Rockwell Automation, and QuadConnect are trademarks of Rockwell Automation, Inc. Trademarks not belonging to Rockwell Automation are property of their respective companies.

Rockwell Automation maintains current product environmental compliance information on its website at rok.auto/pec.

Rockwell Otomasyon Ticaret A.Ş. Kar Plaza İş Merkezi E Blok Kat:6 34752, İçerenköy, İstanbul, Tel: +90 (216) 5698400 EEE Yönetmeliğine Uygundur

Connect with us.    

rockwellautomation.com ————— **expanding human possibility®**

AMERICAS: Rockwell Automation, 1201 South Second Street, Milwaukee, WI 53204-2496 USA, Tel: (1) 414.382.2000

EUROPE/MIDDLE EAST/AFRICA: Rockwell Automation NV, Pegasus Park, De Kleetlaan 12a, 1831 Diegem, Belgium, Tel: (32) 2663 0600

ASIA PACIFIC: Rockwell Automation SEA Pte Ltd, 2 Corporation Road, #04-05, Main Lobby, Corporation Place, Singapore 618494, Tel: (65) 6510 6608

UNITED KINGDOM: Rockwell Automation Ltd., Pitfield, Kiln Farm, Milton Keynes, MK11 3DR, United Kingdom, Tel: (44)(1908) 838-800

Publication 1494-TD002E-EN-P - September 2025

Supersedes Publication 1494-TD002D-EN-P - January 2025

Copyright © 2025 Rockwell Automation, Inc. All rights reserved. Printed in the U.S.A.