

Safety position switch with tumbler Locking force 2600 N 5 directions of approaches Spring-locked Auxiliary release with lock Magnet voltage 115 V AC Monitoring actuator 2 NC/1 NO Monitoring magnet 2 NC/1 NO LED display yellow/green Supplied without actuator. Actuator 3SE5000-0AV0. please order separately



Product brand name	SIRIUS
Product designation	Mechanical safety switches
Design of the product	with separate actuator and with tumbler
Product type designation	3SE5
Manufacturer's article number	3SE5000-0AV01 standard actuator, 3SE5000-0AV02 actuator with vertical fixing, 3SE5000-0AV03 actuator with transverse fixing, 3SE5000-0AV04 radius actuator, approach from left, 3SE5000-0AV05 universal actuator, 3SE5000-0AV06 radius actuator, approach fromright, 3SE5000-0AV07 Heavy Duty actuator, 3SE5000-0AW42 actuator with vertical fixing, stainless steel socket, 3SE5000-0AW43 actuator with transverse fixing, stainless steel socket, 3SE5000-0AW51 stainless steel actuator, 3SE5000-0AW52 stainless steel actuator with vertical fixing, 3SE5000-0AW53 stainless steel actuator with transverse fixing
<ul style="list-style-type: none"> of the optional actuators 	
Suitability for use safety switch	Yes

General technical data	
Product function	Yes
<ul style="list-style-type: none"> positive opening 	
Insulation voltage	

• rated value	250 V
Degree of pollution	class 3
Surge voltage resistance rated value	4 kV
Protection class IP	IP66/IP67
Shock resistance	30g / 11 ms
• acc. to IEC 60068-2-27	30 g / 11 ms
Vibration resistance	0.35 mm / 5g
• acc. to IEC 60068-2-6	0.35 mm/5g
Mechanical service life (switching cycles)	
• typical	1 000 000
Electrical endurance (switching cycles) with contactor 3RH11, 3RT1016, 3RT1017, 3RT1024, 3RT1025, 3RT1026 typical	1 000 000
Electrical operating cycles in one hour with contactor 3RH11, 3RT1016, 3RT1017, 3RT1024, 3RT1025, 3RT1026	6 000
Thermal current	10 A
Material of the enclosure of the switch head	metal
Reference code acc. to DIN EN 81346-2	B
Reference code acc. to DIN EN 61346-2	B
Continuous current of the C characteristic MCB	1 A; for a short-circuit current smaller than 400 A
Continuous current of the quick DIAZED fuse link	10 A; for a short-circuit current smaller than 400 A
Continuous current of the DIAZED fuse link gG	6 A; for a short-circuit current smaller than 400 A
Locking force	2 600 N
• acc. to DIN EN ISO 14119	2 000 N
Repeat accuracy	0.05 mm
Minimum actuating force in activation direction	30 N
Length of the sensor	185 mm
Width of the sensor	54 mm
Operating current at AC-15	
• at 24 V rated value	6 A
• at 120 V rated value	6 A
• at 240 V rated value	3 A
Operating current at DC-13	
• at 24 V rated value	3 A
• at 125 V rated value	0.55 A
• at 250 V rated value	0.27 A
Design of the interface for safety-related communication	without

Enclosure

Design of the housing	special design
Material of the enclosure	metal
Coating of the enclosure	cathodic immersion coating

Design of the housing acc. to standard	No
Drive Head	
Design of the operating mechanism	5 directions of approach
Design of the switching function	positive opening
Number of actuation directions	5
Circuit principle	slow-action contacts
Number of switching contacts safety-related	4
Connections/ Terminals	
Type of electrical connection	screw-type terminals
Type of connectable conductor cross-sections	
<ul style="list-style-type: none"> • solid • finely stranded with core end processing • at AWG conductors solid • at AWG conductors stranded 	<ul style="list-style-type: none"> 1x (0.5 ... 1.5 mm²), 2x (0.5 ... 0.75 mm²) 1x (0.5 ... 1.5 mm²), 2x (0.5 ... 0.75 mm²) 1x (20 ... 16), 2x (20 ... 18) 1x (20 ... 16), 2x (20 ... 18)
Safety related data	
B10 value	
<ul style="list-style-type: none"> • with high demand rate acc. to SN 31920 	1 000 000
Proportion of dangerous failures	
<ul style="list-style-type: none"> • with high demand rate acc. to SN 31920 	20 %
Cable entry type	3 x (M20 x 1.5)
Locking mechanism design	spring-actuated lock (closed-circuit principle) with auxiliary release and lock
Communication/ Protocol	
Design of the interface	without
Ambient conditions	
Ambient temperature	
<ul style="list-style-type: none"> • during operation • during storage 	<ul style="list-style-type: none"> -25 ... +60 °C -40 ... +80 °C
Explosion protection category for dust	none
Supply voltage	
Type of voltage of the supply voltage	
<ul style="list-style-type: none"> • of the optional LED indicator 	AC
Supply voltage	
<ul style="list-style-type: none"> • of LED 	115 V
Supply voltage of magnet coil	115 V
Installation/ mounting/ dimensions	
Mounting position	any
Mounting type	screw fixing
Certificates/ approvals	

General Product Approval	Functional Safety/Safety of Machinery	Declaration of Conformity
--------------------------	---------------------------------------	---------------------------



CCC



CSA



UL



[Type Examination Certificate](#)

[Miscellaneous](#)

Declaration of Conformity	other
---------------------------	-------



EG-Konf.

[Confirmation](#)

Further information

Information- and Downloadcenter (Catalogs, Brochures,...)

<https://www.siemens.com/ic10>

Industry Mall (Online ordering system)

<https://mall.industry.siemens.com/mall/en/en/Catalog/product?mlfb=3SE5312-2SE12>

Cax online generator

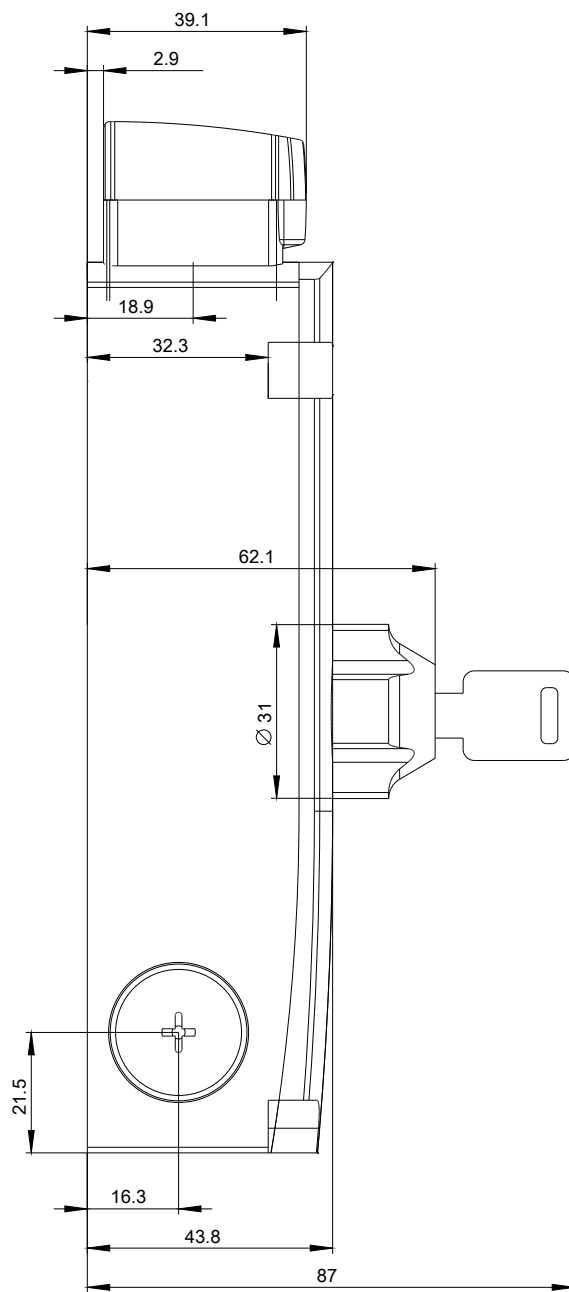
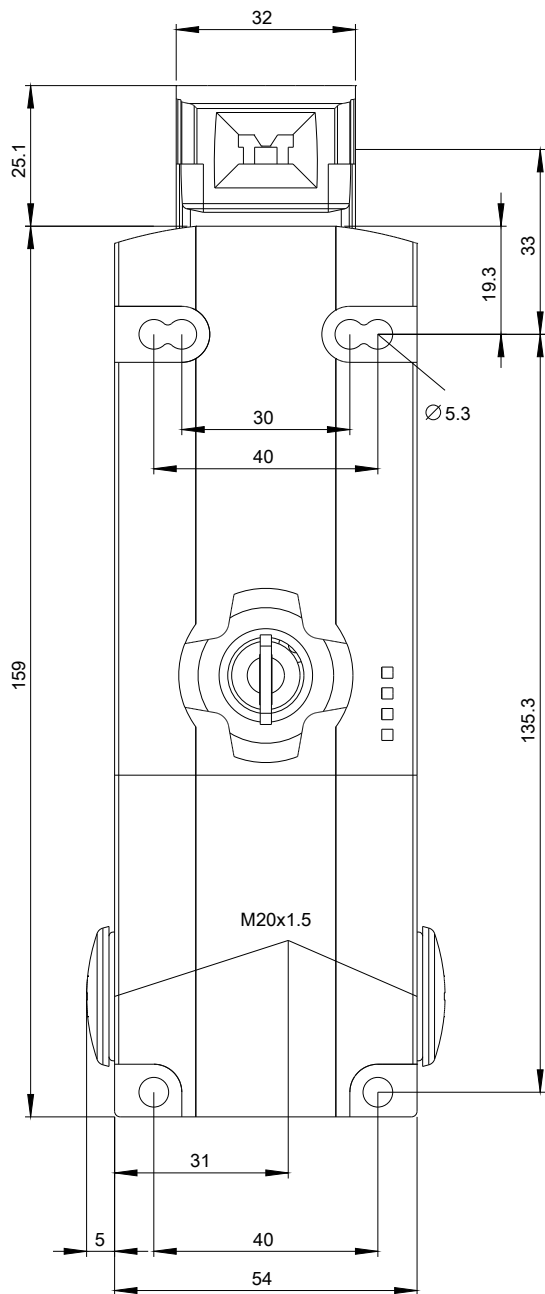
<http://support.automation.siemens.com/WW/CAXorder/default.aspx?lang=en&mlfb=3SE5312-2SE12>

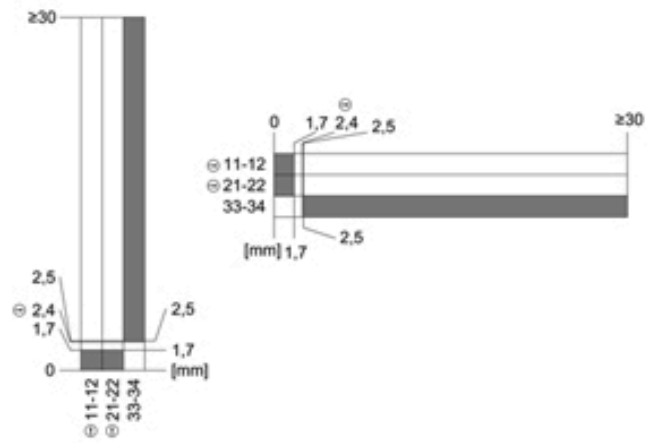
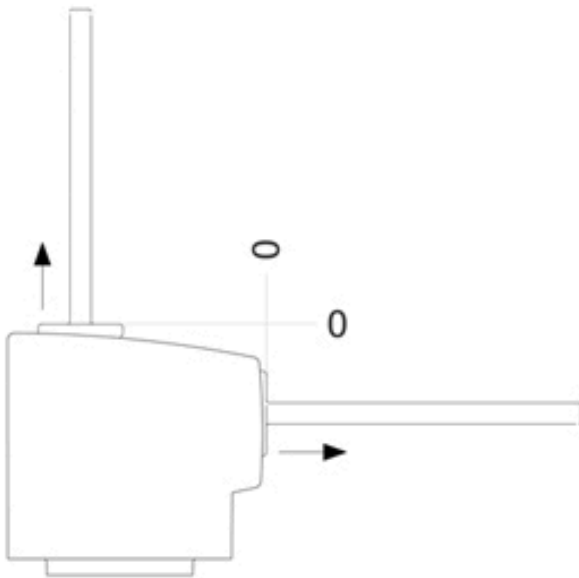
Service&Support (Manuals, Certificates, Characteristics, FAQs,...)

<https://support.industry.siemens.com/cs/ww/en/ps/3SE5312-2SE12>

Image database (product images, 2D dimension drawings, 3D models, device circuit diagrams, EPLAN macros, ...)

http://www.automation.siemens.com/bilddb/cax_de.aspx?mlfb=3SE5312-2SE12&lang=en





last modified:

03/10/2020