

Safety position switch with separate actuator 5 directions of approaches Plastic enclosure 50 mm wide ASIsafe integrated AS-i status: 1:F-IN1, 2: F-IN2 3:AS-i/FAULT Slow-action contacts 1 NC with M12 connector 4-pole Channel 1 to NC, Channel 2 to NC



| | |
|---|--|
| Product brand name | SIRIUS |
| Product designation | Mechanical safety switches |
| Product type designation | 3SF12 |
| Manufacturer's article number | 3SE5000-0AV01 standard actuator, 3SE5000-0AV02 actuator with vertical fixing, 3SE5000-0AV03 actuator with transverse fixing, 3SE5000-0AV04 radius actuator left, 3SE5000-0AV05 universal actuator, 3SE5000-0AV06 radius actuator right |
| <ul style="list-style-type: none"> of the optional actuators | |
| Suitability for use safety switch | Yes |

| General technical data | |
|--|--------------|
| Product function | Yes |
| <ul style="list-style-type: none"> positive opening | |
| Insulation voltage | 30 V |
| <ul style="list-style-type: none"> rated value | |
| Degree of pollution | class 3 |
| Surge voltage resistance rated value | 0.8 kV |
| Protection class IP | IP66/IP67 |
| Shock resistance | 30 g / 11 ms |
| <ul style="list-style-type: none"> acc. to IEC 60068-2-27 | |

| | |
|---|---|
| Vibration resistance | |
| <ul style="list-style-type: none"> • acc. to IEC 60068-2-6 | 0.35 mm/5g |
| Mechanical service life (switching cycles) | |
| <ul style="list-style-type: none"> • typical | 1 000 000 |
| Material of the enclosure of the switch head | plastic enclosure |
| Reference code acc. to DIN EN 81346-2 | B |
| Reference code acc. to DIN EN 61346-2 | B |
| Active principle | mechanical |
| Repeat accuracy | 0.1 mm |
| Minimum actuating force in activation direction | 10 N |
| Length of the sensor | 89 mm |
| Width of the sensor | 50 mm |
| Design of the switching contact | mechanical |
| Number of NC contacts for auxiliary contacts | 2 |
| Number of NO contacts for auxiliary contacts | 0 |
| Design of the interface for safety-related communication | ASIsafe via M12 plug, channel 2 looped through to M12 socket on the right |

| | |
|---|-------------|
| Enclosure | |
| Design of the housing | block, wide |
| Material of the enclosure | plastic |
| Design of the housing acc. to standard | No |

| | |
|--|----------------------|
| Drive Head | |
| Design of the operating mechanism | without |
| Design of the switching function | positive opening |
| Circuit principle | slow-action contacts |
| Number of switching contacts safety-related | 1 |

| | |
|--------------------------------------|-------------------------|
| Connections/ Terminals | |
| Type of electrical connection | M12 plug, fixed, 4-pole |

| | |
|--|---|
| Safety related data | |
| B10 value | |
| <ul style="list-style-type: none"> • with high demand rate acc. to SN 31920 | 1 000 000 |
| Proportion of dangerous failures | |
| <ul style="list-style-type: none"> • with high demand rate acc. to SN 31920 | 20 % |
| Design of plug-in connection | M12 plug, 4-pole: Pin 1 = ASI+ , Pin 2 = not assigned, Pin 3= ASI- , Pin 4 = not assigned |
| AS interface slave profile | 0.B.F |
| ID1 code | F (hex, variable 0...F) |

| | |
|--|----------------|
| Ambient conditions | |
| Ambient temperature | |
| <ul style="list-style-type: none"> • during operation | -25 ... +60 °C |
| <ul style="list-style-type: none"> • during storage | -40 ... +80 °C |




Supply voltage

| | |
|--|------|
| Type of voltage of the supply voltage | |
| • of the optional LED indicator | DC |
| Supply voltage | |
| • of LED | 24 V |

Installation/ mounting/ dimensions

| | |
|--------------------------|--------------|
| Mounting position | any |
| Mounting type | screw fixing |

Certificates/ approvals

| General Product Approval | Functional Safety/Safety of Machinery | Declaration of Conformity | Test Certificates |
|---|---|---|---|
|  UL |  | Type Examination Certificate  EG-Konf. | Miscellaneous Type Test Certificates/Test Report |

other

[Confirmation](#)

Further information

Information- and Downloadcenter (Catalogs, Brochures,...)

<https://www.siemens.com/ic10>

Industry Mall (Online ordering system)

<https://mall.industry.siemens.com/mall/en/en/Catalog/product?mlfb=3SF1244-1QV40-1BA2>

Cax online generator

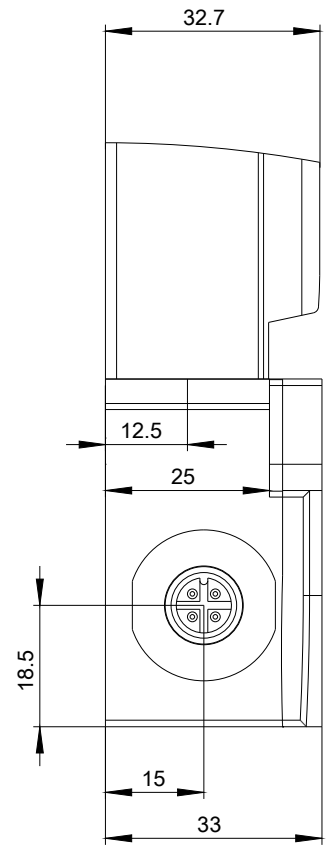
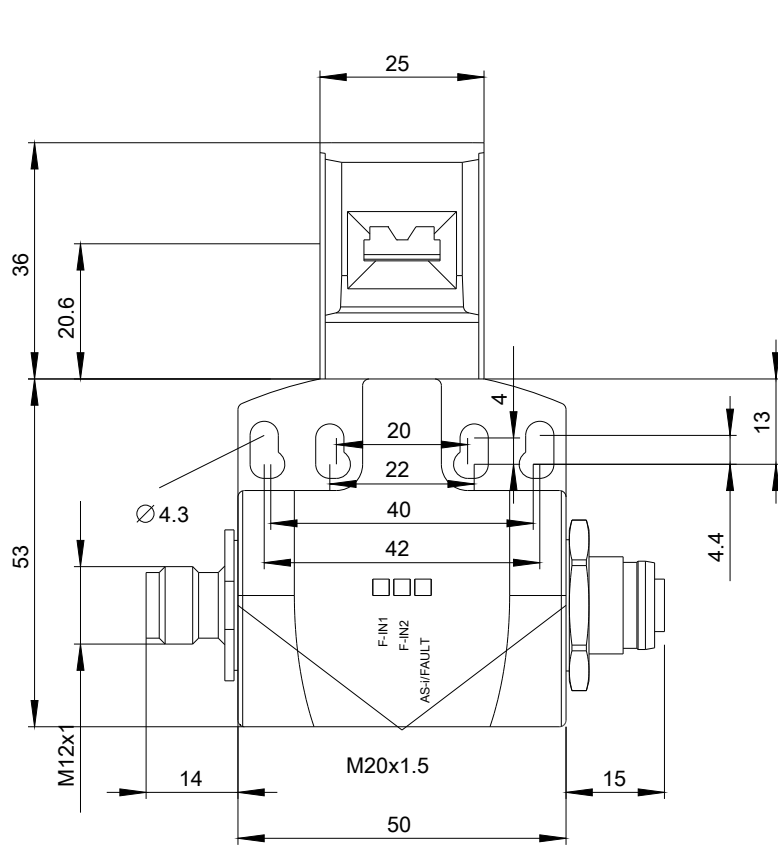
<http://support.automation.siemens.com/WW/CAXorder/default.aspx?lang=en&mlfb=3SF1244-1QV40-1BA2>

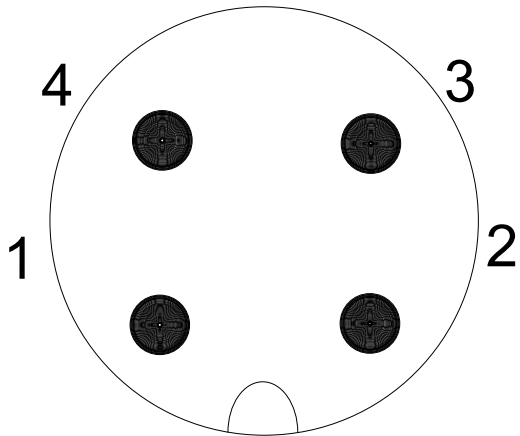
Service&Support (Manuals, Certificates, Characteristics, FAQs,...)

<https://support.industry.siemens.com/cs/ww/en/ps/3SF1244-1QV40-1BA2>

Image database (product images, 2D dimension drawings, 3D models, device circuit diagrams, EPLAN macros, ...)

http://www.automation.siemens.com/bilddb/cax_de.aspx?mlfb=3SF1244-1QV40-1BA2&lang=en





| | | |
|---|---|-------|
| 1 | → | ASI + |
| 2 | → | n. c. |
| 3 | → | ASI - |
| 4 | → | n. c. |

last modified:

03/10/2020