



front mounted rotary operator standard with door interlock IEC IP30/40 accessory for: 3VA15/25/26


Model		
product brand name	SENTRON	
product designation	front rotary operating mechanism	
accessories	Front rotary operator	
General technical data		
protection class IP	IP30	
Certificates		
General Product Approval	EMV	Test Certificates



[Miscellaneous](#)

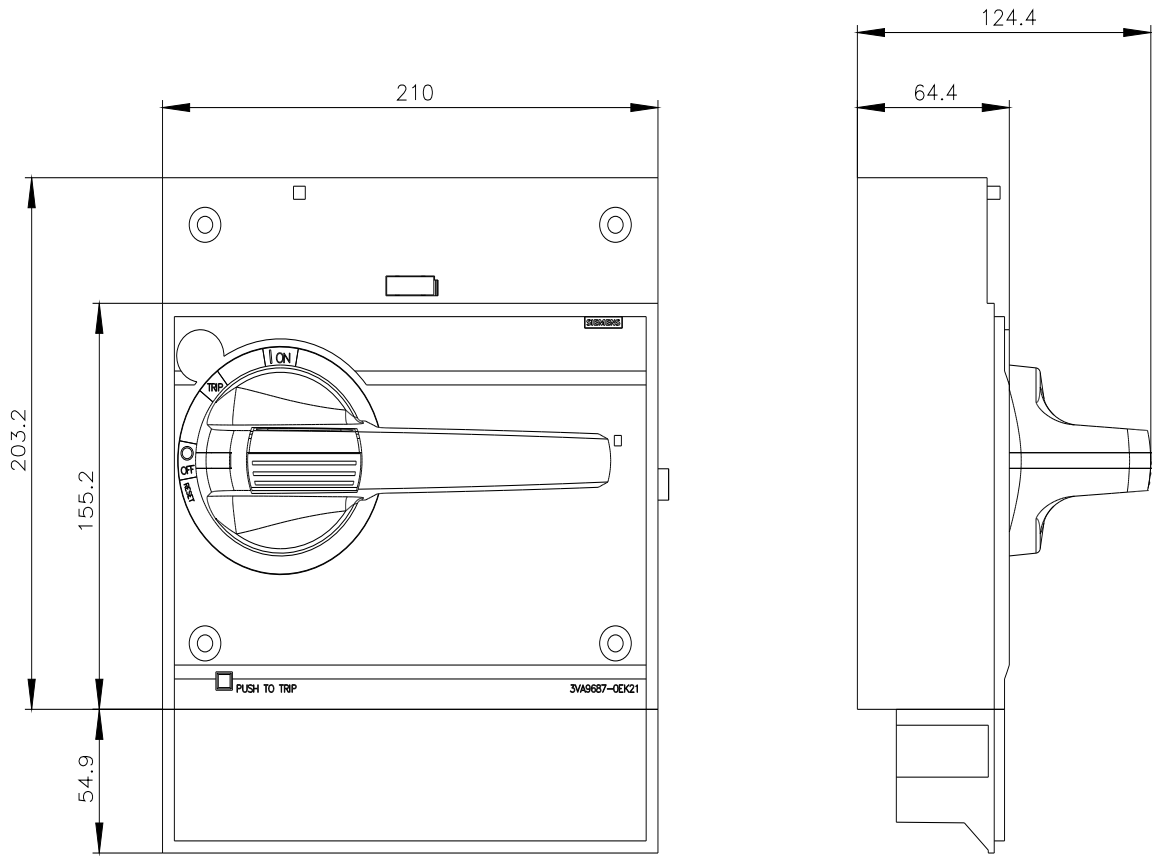


[Type Test Certificates/Test Report](#)

Marine / Shipping	other	Environment			
	<a href="#">Confirmation</a>	<a href="#">Miscellaneous</a>	<a href="#">Miscellaneous</a>	<a href="#">Environmental Confirmations</a>	<a href="#">Environmental Confirmations</a>

**Further information**

- Information on the packaging  
<https://support.industry.siemens.com/cs/ww/en/view/109813875>
- Information- and Downloadcenter (Catalogs, Brochures,...)  
<http://www.siemens.com/lowvoltage/catalogs>
- Industry Mall (Online ordering system)  
<https://mall.industry.siemens.com/mall/en/en/Catalog/product?mlfb=3VA9687-0EK21>
- Service&Support (Manuals, Certificates, Characteristics, FAQs,...)  
<https://support.industry.siemens.com/cs/ww/en/ps/3VA9687-0EK21>
- Image database (product images, 2D dimension drawings, 3D models, device circuit diagrams, ...)  
[http://www.automation.siemens.com/bilddb/cax\\_en.aspx?mlfb=3VA9687-0EK21](http://www.automation.siemens.com/bilddb/cax_en.aspx?mlfb=3VA9687-0EK21)
- CAX-Online-Generator  
<http://www.siemens.com/cax>
- Tender specifications  
<http://www.siemens.com/specifications>



last modified:

8/10/2024 

