

Integrated signal lamp, single flash light, w. built-in electronic flash, yellow, 24 V DC, diameter 70 mm







General technical data	
Product designation	Flashlight element
Consumed current maximum	125 mA
Type of voltage	DC
• of the operating voltage	
Operating voltage	24 V
• 1 at DC rated value	
Relative positive tolerance of the operating voltage	10 %
Relative negative tolerance of the operating voltage	-10 %
Reference code	P
• acc. to DIN EN 81346-2	
Mounting type	Bayonet / flush mounting
Material	PC; PC/ABS; PA
Color	yellow
Mechanical data	
Product component Light source	Yes
Type of electrical connection	screw-type terminals
Outer diameter of the signal column element	75 mm

Lamp	
Design of the optical signal	flash light
Type of light source	Xenon gas discharge lamp
Light intensity	35 796 cd
Flash frequency	1 Hz
Number of flashes of light element	4 000 000

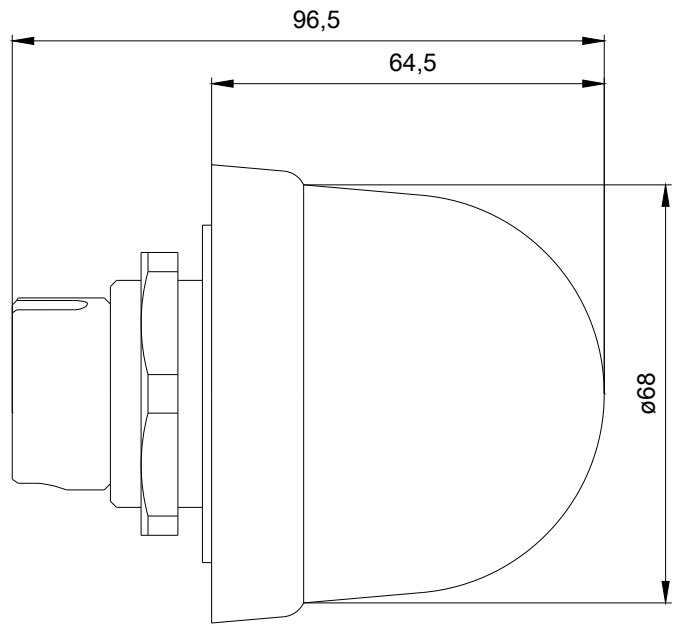
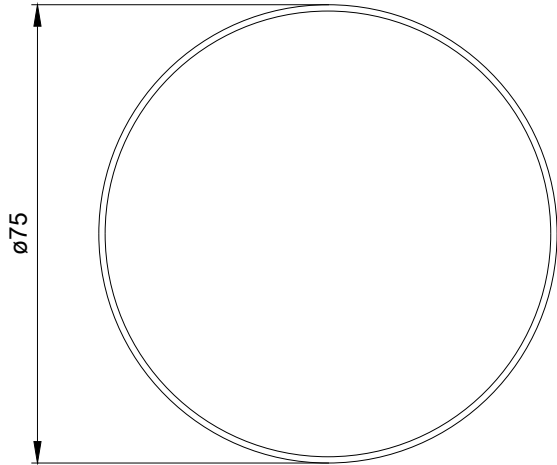
Ambient conditions	
Ambient temperature during operation	-20 ... +50 °C
Protection class IP	IP65
Depth	31 mm
Height	66 mm
Width	75 mm

### Certificates/ approvals

General Product Approval	EMC	Declaration of Conformity	other
 UL	 EAC	 RCM	 EG-Konf.
		<a href="#">Miscellaneous</a>	<a href="#">Confirmation</a>

### Further information

- Information- and Downloadcenter (Catalogs, Brochures,...)**  
[www.siemens.com/sirius/catalogs](http://www.siemens.com/sirius/catalogs)
- Industry Mall (Online ordering system)**  
<https://mall.industry.siemens.com/mall/en/en/Catalog/product?mlfb=8WD5320-0CD>
- Cax online generator**  
<http://support.automation.siemens.com/WW/CAXorder/default.aspx?lang=en&mlfb=8WD5320-0CD>
- Service&Support (Manuals, Certificates, Characteristics, FAQs,...)**  
<https://support.industry.siemens.com/cs/ww/en/ps/8WD5320-0CD>
- Image database (product images, 2D dimension drawings, 3D models, device circuit diagrams, EPLAN macros, ...)**  
[http://www.automation.siemens.com/bilddb/cax\\_de.aspx?mlfb=8WD5320-0CD&lang=en](http://www.automation.siemens.com/bilddb/cax_de.aspx?mlfb=8WD5320-0CD&lang=en)



SIEMENS

last modified:

11/28/2019