

Catalog Numbers

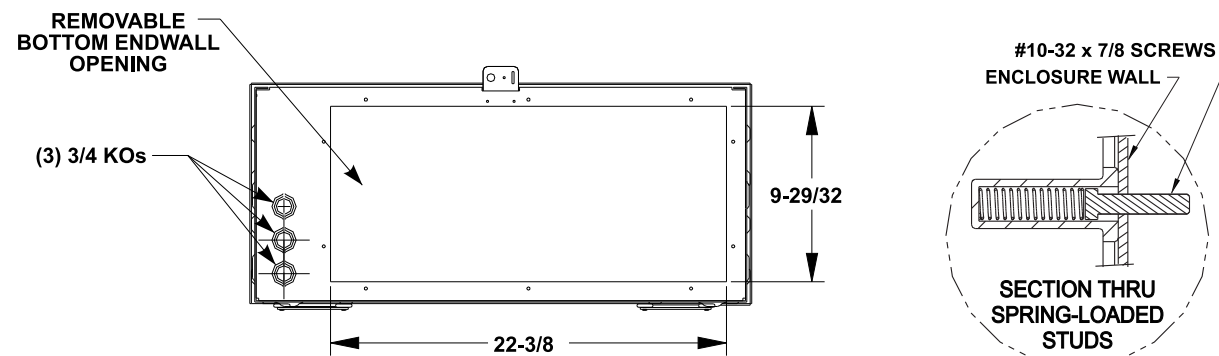
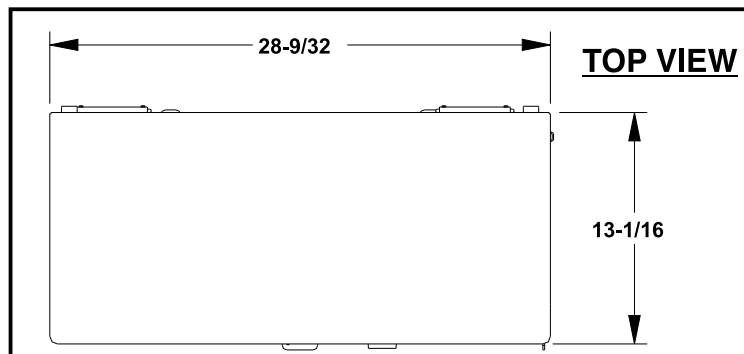
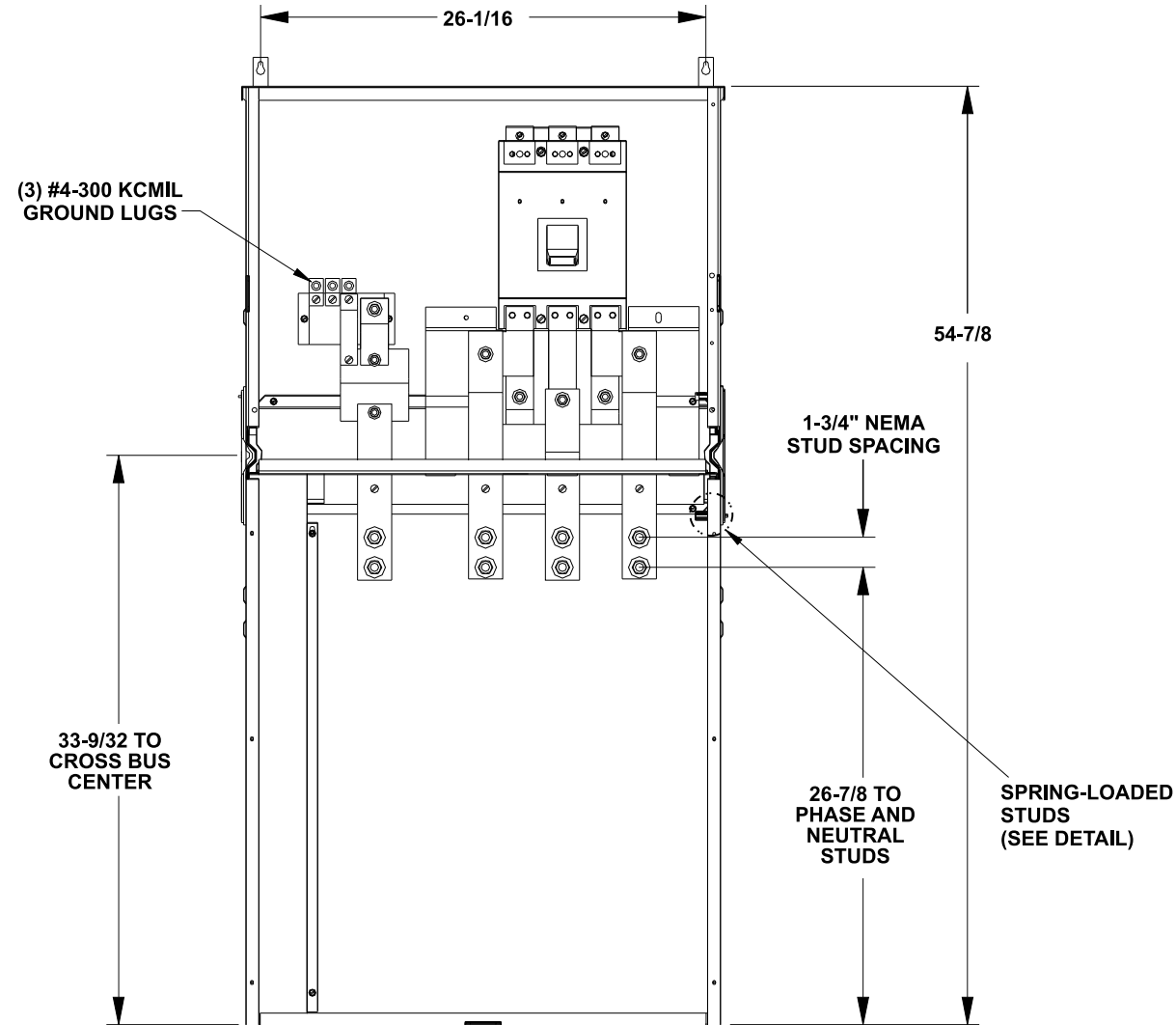
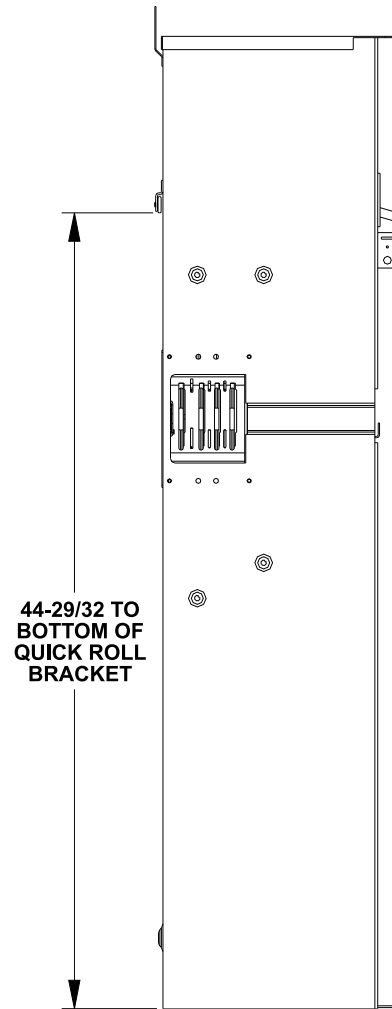
Catalog No.	Amperage Rating Max	Max Interrupting Rating	Catalog No.	Amperage Rating Max	Max Interrupting Rating
1 PHASE, 3 WIRE, 120/240V AC MAX			3 PHASE, 4 WIRE, 240V AC MAX		
WEB1200B	200	65,000	WEB3200B	200	65,000
WEB1200BU	200	100,000	WEB3200BU	200	100,000
WEB1225B	225	65,000	WEB3225B	225	65,000
WEB1225BU	225	100,000	WEB3225BU	225	100,000
WEB1250B	250	65,000	WEB3250B	250	65,000
WEB1250BU	250	100,000	WEB3250BU	250	100,000

- TYPE 3R OUTDOOR ENCLOSURE
- MAIN BUS RATING: 1200A MAX.
- FOR UNDERGROUND SERVICE ONLY
- COMPLIES WITH EUSERC DWG. NO. 347

Order Catalog Numbers below for units with Lug Kits factory installed.

CATALOG Number	BASE Number	with Lug Kit Factory Installed
WEB1200BA3	WEB1200B	LK12500N2
WEB1200BUA3	WEB1200BU	LK12500N2
WEB1200BA14	WEB1200B	LK11750N2
WEB1200BUA14	WEB1200BU	LK11750N2
WEB3200BB3	WEB3200B	LK32500N2
WEB3200BUB3	WEB3200BU	LK32500N2
WEB3200BB14	WEB3200B	LK31750N2
WEB3200BUB14	WEB3200BU	LK31750N2
WEB1250BA3	WEB1250B	LK12500N2
WEB1250BUA3	WEB1250BU	LK12500N2
WEB1250BA14	WEB1250B	LK11750N2
WEB1250BUA14	WEB1250BU	LK11750N2
WEB3250BB3	WEB3250B	LK32500N2
WEB3250BUB3	WEB3250BU	LK32500N2
WEB3250BB14	WEB3250B	LK31750N2
WEB3250BUB14	WEB3250BU	LK31750N2

WEB3200B (3 Phase) SHOWN
VIEWS SHOWN WITHOUT COVER



Additional Modules, Accessories, and Lug Kits

FOR USE WITH:		
Module Description	Siemens Series#	Murray Series#
Main Breakers	(W)MC, WB, WEB	DB W
Switches	WMP, WMS, WS, WES	DPT W, DT W
Tap/Terminal Boxes	WMTB, WTB, WET	DTB_W
Meter Module	WMM, WxMM, WMT, WML, WMK	DG_W, DC_W, DL_W
Extension Box	WMEX, WSP	DS
Bussed Elbow	(W)BE	DL

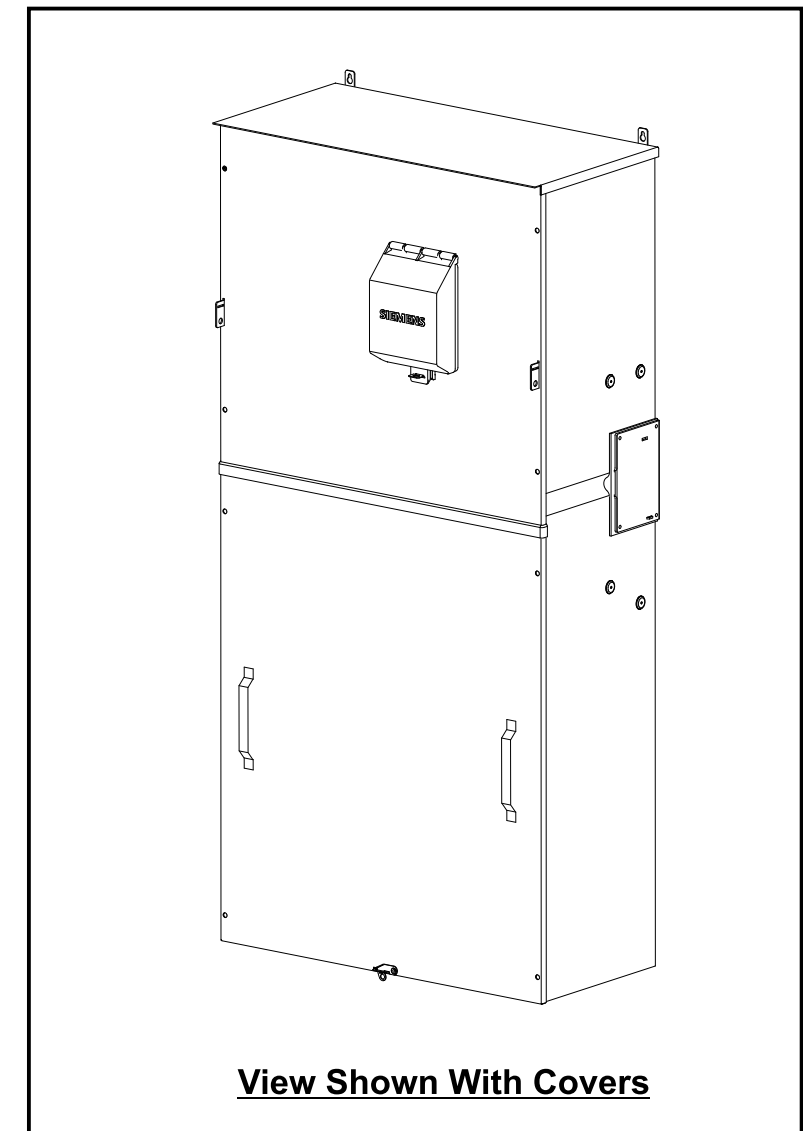
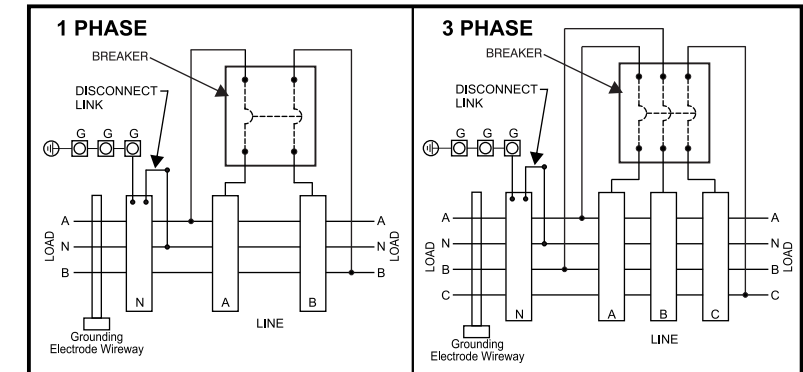
Connect Modules Using	Catalog Number / Torque
QuickConnect	QC1 (1ph) or QC4 (3ph) 400-440 lb-in (35-36 ft.-lb.) Torque
Single Bolt Joint	SBJ1 (1ph) or SBJ4 (3ph) 400-480 lb-in (35-40 ft.-lb.) Torque

1 Phase: Lugs for Phase and Neutral Connections (not supplied)						
NEMA Lug ①	MFG	Wire Range	Type	No. Wires per phase	Torque (lb.-in.)	
LK11750N2	Siemens	300-750 kcmil	Mechanical	1	500	
LK12500N2	Siemens	1/0-500 kcmil	Mechanical	2	500	
2ACL-500	ILSCO	500 kcmil	Compression	2	NA ②	
2ACL-750	ILSCO	750 kcmil	Compression	1	NA ②	

3 Phase: Lugs for Phase and Neutral Connections (not supplied)						
NEMA Lug ①	MFG	Wire Range	Type	No. Wires per phase	Torque (lb.-in.)	
LK31750N2	Siemens	300-750 kcmil	Mechanical	1	500	
LK32500N2	Siemens	1/0-500 kcmil	Mechanical	2	500	
2ACL-500	ILSCO	500 kcmil	Compression	2	NA ②	
2ACL-750	ILSCO	750 kcmil	Compression	1	NA ②	

- ① Order one mechanical lug kit for main breaker and neutral conversions. Contact lug manufacturer for compression lug quantities supplied for each kit.
② See lug manufacturer's instruction sheet supplied with the connector for tool, die, and number of crimps.

Schematics



© 2015 Copyright Siemens Industry, Inc.

SIEMENS
Siemens Industry, Inc.

PowerMod™ Breaker Mains

Description: **WEB1200B thru WEB3250BU (EUSERC) Service Entrance Breaker Mains**

KAM 8/5/15 Fam . DO NOT SCALE DRAWING Dwg. No. **200-250A_E_SE_Brkr_Mains**