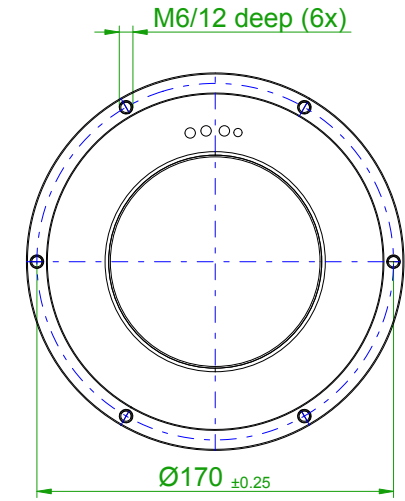
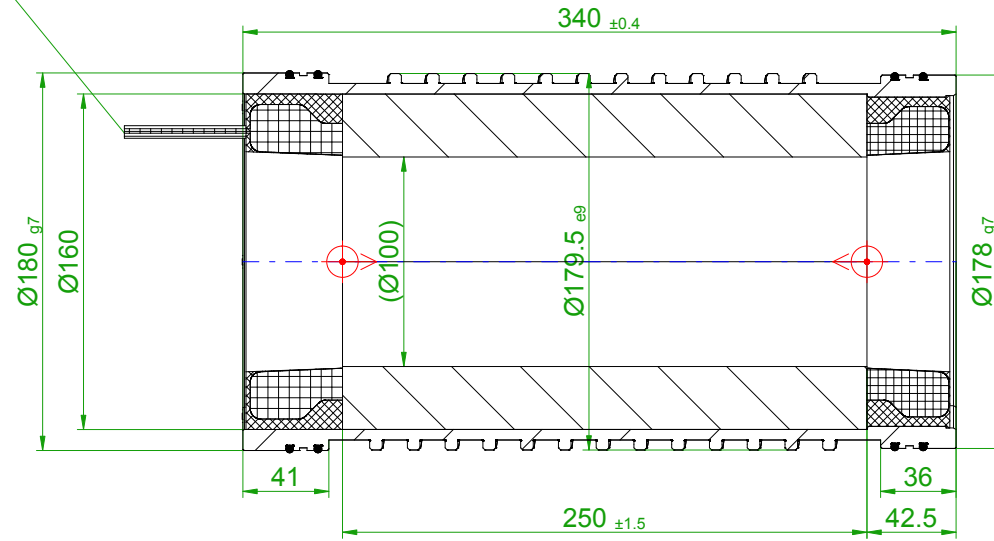


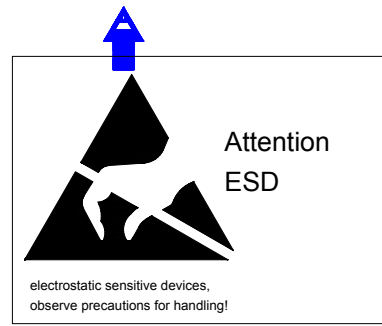
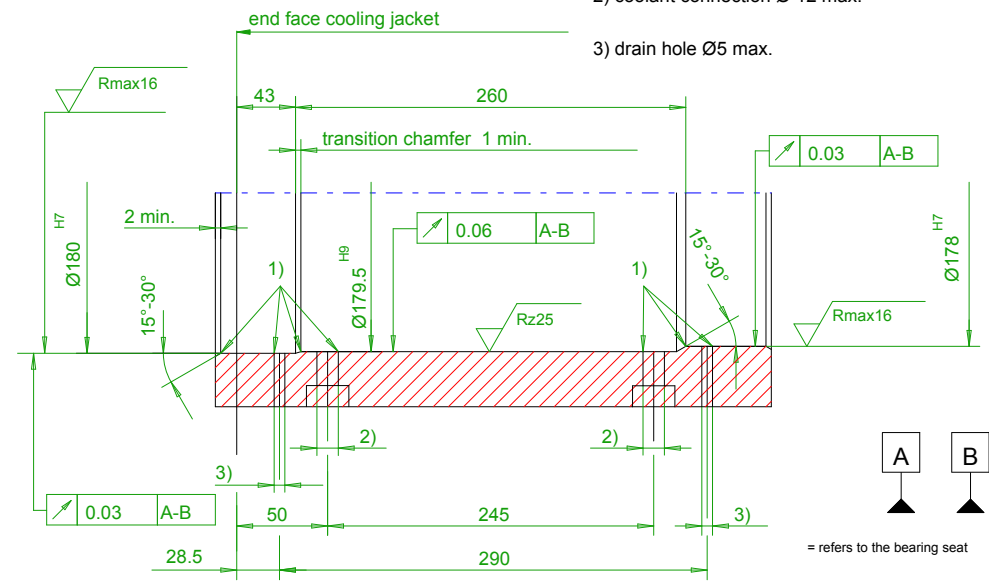
free cables 500 mm  
for cable type see  
configuration manual



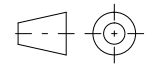
coolant  
inlet/outlet

interface instructions  
stator interface dimensions

- 1) edges fillet  $R_{max} 16$
- 2) coolant connection  $\varnothing 12$  max.
- 3) drain hole  $\varnothing 5$  max.



- temperature-sensors can be damaged
- alignment position for stator and rotor
- scope of delivery with o-ring-seals
- enclosure IP00



**SIEMENS**

|   |   |                    |
|---|---|--------------------|
| Einheit / unit: mm                                    | Einbau-Synchronmotor, Stator<br>Built-in synchronous motor, stator: | 1FE1085-4WQ31-1B_2 |
| nicht tolerierte Maße /<br>not toleranced dimensions: | Optionen / options:   |                    |
| Maßstab / scale: ohne / without                       | Gewicht / mass:   | 27 kg              |
| CAD CREATOR 2.2 (WWW-Version V02.20.00.00)            | Bemerkung / notice:   |                    |
|   | Druckdatum / print date:  | 23.01.2020         |